

# FLKM 14-PA/GE/DI - Front adapter



2290038

<https://www.phoenixcontact.com/us/products/2290038>

Please be informed that the data shown in this PDF document is generated from our online catalog. Please find the complete data in the user documentation. Our general terms of use for downloads are valid.



VARIOFACE front adapter, for GE-FANUC series 90-30, 2 x 8 channels can be connected, digital input

## Your advantages

- Preassembled system cables are connected directly to I/O modules using the front adapters

## Commercial data

Item number	2290038
Packing unit	5 pc
Minimum order quantity	1 pc
Note	Made to order (non-returnable)
Sales key	C421
Product key	DK231G
GTIN	4017918057923
Weight per piece (including packing)	54.62 g
Weight per piece (excluding packing)	41.344 g
Customs tariff number	85366990
Country of origin	DE

# FLKM 14-PA/GE/DI - Front adapter



2290038

<https://www.phoenixcontact.com/us/products/2290038>

## Technical data

### Product properties

Product type	Front adapter
Product family	VARIOFACE

#### Insulation characteristics: Air clearances and creepage distances

Insulation	Functional insulation
Overvoltage category	II
Pollution degree	2

### Electrical properties

Operating voltage (AC)	≤ 30 V AC
Operating voltage (DC)	≤ 60 V DC
Nominal operating mode	100% operating factor
Current (per branch)	≤ 1 A
Current (Voltage supply via IDC/FLK)	≤ 3 A

#### Air clearances and creepage distances

Rated insulation voltage	63 V
Rated surge voltage	0.6 kV (1.2/50 μs)

#### Supported controller: GE-FANUC 90-30

Suitable I/O card	IC693 MDL241
	IC693 MDL634
	IC693 MDL645
	IC693 MDL646

### Connection data

#### Connection 1 (control level)

Connection method	Plug-in connection
Number of positions	19

#### Connection 2 (field level)

Connection in acc. with standard	IEC 60603-13
Connection method	IDC/FLK pin strip
Number of connections	2
Number of positions	14
Insertion/withdrawal cycles	> 50
Pitch	2.54 mm

#### Connection 3 (supply)

Connection method	Screw connection
Stripping length	7 mm
Screw thread	M3

# FLKM 14-PA/GE/DI - Front adapter



2290038

<https://www.phoenixcontact.com/us/products/2290038>

Number of connections	1
Number of positions	2
Conductor cross-section rigid	0.14 mm <sup>2</sup> ... 1.5 mm <sup>2</sup>
Conductor cross-section rigid (2 conductors with same cross section)	0.08 mm <sup>2</sup> ... 0.5 mm <sup>2</sup>
Conductor cross-section flexible	0.14 mm <sup>2</sup> ... 1.5 mm <sup>2</sup>
	0.25 mm <sup>2</sup> ... 1.5 mm <sup>2</sup> (Ferrule without plastic sleeve)
	0.25 mm <sup>2</sup> ... 0.75 mm <sup>2</sup> (Ferrule with plastic sleeve)
Conductor cross-section flexible (2 conductors with same cross section)	0.08 mm <sup>2</sup> ... 0.75 mm <sup>2</sup>
	0.25 mm <sup>2</sup> ... 0.34 mm <sup>2</sup> (Ferrule without plastic sleeve)
	0.5 mm <sup>2</sup> ... 0.5 mm <sup>2</sup> (TWIN ferrule with plastic sleeve)
Conductor cross-section AWG	28 ... 16
Tightening torque	0.22 Nm ... 0.25 Nm
Pitch	3.81 mm

## Environmental and real-life conditions

### Ambient conditions

Degree of protection (Module)	IP20
Degree of protection (Installation location)	≥ IP54
Ambient temperature (operation)	-20 °C ... 50 °C
Ambient temperature (storage/transport)	-20 °C ... 70 °C
Altitude	≤ 2000 m

## Standards and regulations

### Air clearances and creepage distances

Standards/regulations	EN IEC 60664-1
-----------------------	----------------

## Mounting

Mounting type	Plug-in mounting
Mounting position	any

## Notes

Notes on operation	For proper use, the specifications of the installation directive (see Downloads) must be observed. For applications or use with third-party products, the specifications, and the safety and warning instructions of the respective third-party manufacturer must also be met.
--------------------	--------------------------------------------------------------------------------------------------------------------------------------------------------------------------------------------------------------------------------------------------------------------------------

# FLKM 14-PA/GE/DI - Front adapter

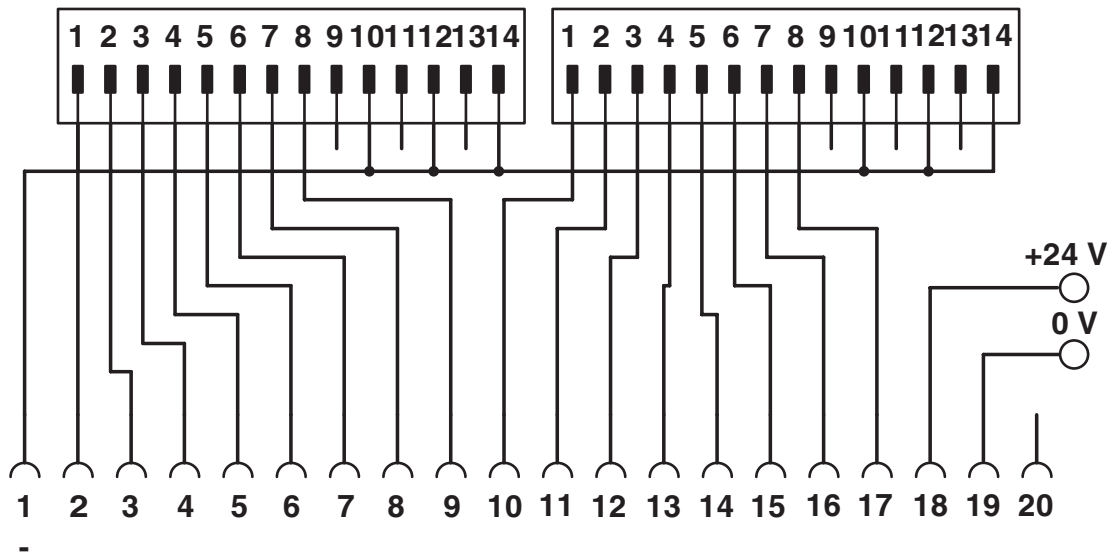


2290038

<https://www.phoenixcontact.com/us/products/2290038>

## Drawings

Circuit diagram



Connection scheme FLKM 14-PA/GE/DI

# FLKM 14-PA/GE/DI - Front adapter



2290038

<https://www.phoenixcontact.com/us/products/2290038>

## Classifications

### ECLASS

ECLASS-13.0

27242292

### ETIM

ETIM 9.0

EC002584

### UNSPSC

UNSPSC 21.0

32151600

# FLKM 14-PA/GE/DI - Front adapter



2290038

<https://www.phoenixcontact.com/us/products/2290038>

## Environmental product compliance

### EU RoHS

Fulfills EU RoHS substance requirements	Yes, No exemptions
-----------------------------------------	--------------------

### China RoHS

Environment friendly use period (EFUP)	EFUP-50
	An article-related China RoHS declaration table can be found in the download area for the respective article under "Manufacturer declaration". For all articles with EFUP-E, no China RoHS declaration table issued and required.

### EU REACH SVHC

REACH candidate substance (CAS No.)	No substance above 0.1 wt%
-------------------------------------	----------------------------

Phoenix Contact 2026 © - all rights reserved

<https://www.phoenixcontact.com>

Phoenix Contact USA  
586 Fulling Mill Road  
Middletown, PA 17057, United States  
(+717) 944-1300  
[info@phoenixcon.com](mailto:info@phoenixcon.com)