

FLKM 14-PA-MELSEC A1S/I - Front adapter



2289971

<https://www.phoenixcontact.com/us/products/2289971>

Please be informed that the data shown in this PDF document is generated from our online catalog. Please find the complete data in the user documentation. Our general terms of use for downloads are valid.



VARIOFACE front adapter, for Mitsubishi Electric MELSEC A1S X80 and X80-1, 2 x 8 channels can be connected

Commercial data

Item number	2289971
Packing unit	1 pc
Note	Made to order (non-returnable)
Sales key	C421
Product key	DK231M
GTIN	4017918057893
Weight per piece (including packing)	99.4 g
Weight per piece (excluding packing)	60.56 g
Customs tariff number	85366990
Country of origin	DE

FLKM 14-PA-MELSEC A1S/I - Front adapter



2289971

<https://www.phoenixcontact.com/us/products/2289971>

Technical data

Product properties

Product type	Front adapter
--------------	---------------

Insulation characteristics

Insulation	Functional insulation
Overvoltage category	II
Pollution degree	2

Electrical properties

Operating voltage (DC)	≤ 30 V DC
Current (Per path)	≤ 1 A
Rated insulation voltage	50 V
Rated surge voltage	0.5 kV

Supported controller: MITSUBISHI MELSEC A1S

Suitable I/O card	X80
	X80-1

Connection data

Field level

Connection method	IDC/FLK pin strip
Number of connections	2
Number of positions	14
Pitch	2.54 mm

Environmental and real-life conditions

Ambient conditions

Degree of protection	IP20
Ambient temperature (operation)	-20 °C ... 50 °C
Ambient temperature (storage/transport)	-20 °C ... 70 °C

Standards and regulations

Standards/regulations	IEC 60664
	DIN EN 50178

Mounting

Mounting position	any
-------------------	-----

Notes

Notes on operation	For proper use, the specifications of the installation directive (see Downloads) must be observed. For applications or use with third-party products, the specifications, and the safety and warning instructions of the respective third-party manufacturer must also
--------------------	------------------------------------------------------------------------------------------------------------------------------------------------------------------------------------------------------------------------------------------------------------------------

FLKM 14-PA-MELSEC A1S/I - Front adapter

2289971

<https://www.phoenixcontact.com/us/products/2289971>



be met.

FLKM 14-PA-MELSEC A1S/I - Front adapter

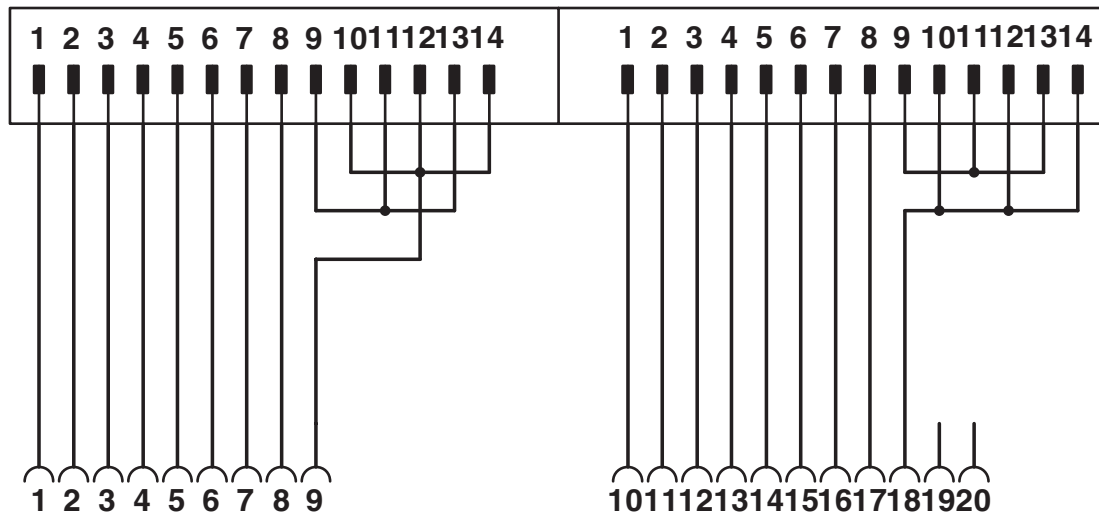


2289971

<https://www.phoenixcontact.com/us/products/2289971>

Drawings

Circuit diagram



Connection scheme FLKM 14-PA-MELSEC A1S/I

FLKM 14-PA-MELSEC A1S/I - Front adapter

2289971

<https://www.phoenixcontact.com/us/products/2289971>



Classifications

ECLASS

ECLASS-13.0	27242292
-------------	----------

FLKM 14-PA-MELSEC A1S/I - Front adapter



2289971

<https://www.phoenixcontact.com/us/products/2289971>

Environmental product compliance

China RoHS

Environment friendly use period (EFUP)	EFUP-50
	An article-related China RoHS declaration table can be found in the download area for the respective article under "Manufacturer declaration". For all articles with EFUP-E, no China RoHS declaration table issued and required.

EU REACH SVHC

REACH candidate substance (CAS No.)	No substance above 0.1 wt%
-------------------------------------	----------------------------

Phoenix Contact 2026 © - all rights reserved
<https://www.phoenixcontact.com>

Phoenix Contact USA
586 Fulling Mill Road
Middletown, PA 17057, United States
(+717) 944-1300
info@phoenixcon.com