

# FLKM 14-PA/BR/DO-A244 - Front adapter



2289900

<https://www.phoenixcontact.com/us/products/2289900>

Please be informed that the data shown in this PDF document is generated from our online catalog. Please find the complete data in the user documentation. Our general terms of use for downloads are valid.



VARIOFACE front adapter, for B&R MULTICONTROL / MIDICONTROL / M 264, for digital output A244, 3 x 8 channels can be connected, non-isolated

## Commercial data

Item number	2289900
Packing unit	1 pc
Note	Made to order (non-returnable)
Sales key	C429
Product key	DK231Z
GTIN	4017918057848
Weight per piece (including packing)	83.9 g
Weight per piece (excluding packing)	68 g
Customs tariff number	85369010
Country of origin	DE

# FLKM 14-PA/BR/DO-A244 - Front adapter



2289900

<https://www.phoenixcontact.com/us/products/2289900>

## Technical data

### Product properties

Product type	Front adapter
--------------	---------------

### Electrical properties

Operating voltage (DC)	≤ 30 V DC
Current (Per path)	≤ 1 A
Current (per flat-ribbon cable strip)	≤ 3 A

### Environmental and real-life conditions

#### Ambient conditions

Ambient temperature (operation)	-20 °C ... 50 °C
---------------------------------	------------------

### Standards and regulations

Standards/regulations	IEC 60664
	IEC 60664A
	DIN VDE 0110
	DIN VDE 0160 (in parts)

### Mounting

Mounting position	any
-------------------	-----

### Notes

Notes on operation	For proper use, the specifications of the installation directive (see Downloads) must be observed. For applications or use with third-party products, the specifications, and the safety and warning instructions of the respective third-party manufacturer must also be met.
--------------------	--

# FLKM 14-PA/BR/DO-A244 - Front adapter

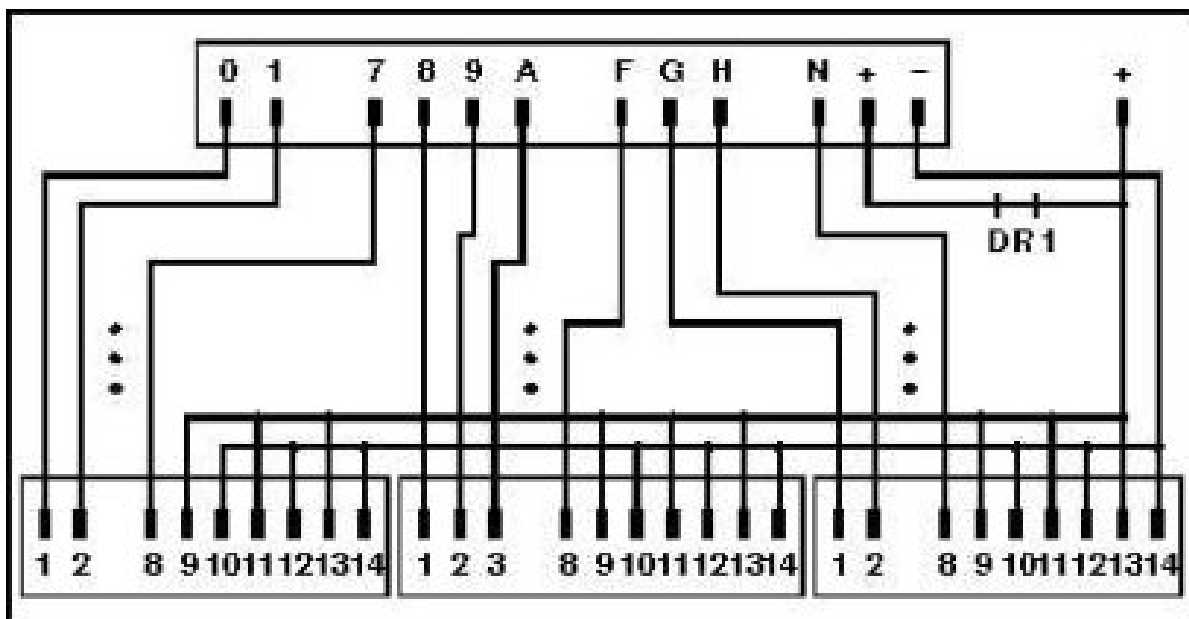


2289900

<https://www.phoenixcontact.com/us/products/2289900>

## Drawings

### Circuit diagram



# FLKM 14-PA/BR/DO-A244 - Front adapter



2289900

<https://www.phoenixcontact.com/us/products/2289900>

## Classifications

### ECLASS

ECLASS-13.0	27242292
-------------	----------

# FLKM 14-PA/BR/DO-A244 - Front adapter



2289900

<https://www.phoenixcontact.com/us/products/2289900>

## Environmental product compliance

EU REACH SVHC

REACH candidate substance (CAS No.)	No substance above 0.1 wt%
-------------------------------------	----------------------------

Phoenix Contact 2026 © - all rights reserved

<https://www.phoenixcontact.com>

Phoenix Contact USA  
586 Fulling Mill Road  
Middletown, PA 17057, United States  
(+717) 944-1300  
[info@phoenixcon.com](mailto:info@phoenixcon.com)