

FLKM 50-PA-AB/IBN - Front adapter



2289816

<https://www.phoenixcontact.com/us/products/2289816>

Please be informed that the data shown in this PDF document is generated from our online catalog. Please find the complete data in the user documentation. Our general terms of use for downloads are valid.

VARIOFACE front adapter, for Allen-Bradley PLC 5, 1771, 32 channels can be connected, input



Commercial data

Item number	2289816
Packing unit	1 pc
Note	Made to order (non-returnable)
Sales key	C421
Product key	DK231R
GTIN	4017918057800
Weight per piece (including packing)	120 g
Weight per piece (excluding packing)	1.24 g
Customs tariff number	85369010
Country of origin	DE

FLKM 50-PA-AB/IBN - Front adapter



2289816

<https://www.phoenixcontact.com/us/products/2289816>

Technical data

Product properties

Product type	Front adapter
--------------	---------------

Insulation characteristics

Overvoltage category	II
Pollution degree	2

Electrical properties

Max. permissible operating voltage	< 50 V AC 60 V DC
Max. permissible current	1 A (per path)
Max. permissible total current	2 A (per Byte, for supply via connector)
Rated insulation voltage	63 V
Rated surge voltage	0.6 kV (Functional insulation)

Supported controller: ALLEN-BRADLEY PLC 5

Suitable I/O card	1771 IBN
-------------------	----------

Connection data

Field level

Connection method	IDC/FLK pin strip
Number of connections	1
Number of positions	50
Pitch	2.54 mm

Environmental and real-life conditions

Ambient conditions

Degree of protection	IP20
Ambient temperature (operation)	-20 °C ... 50 °C
Ambient temperature (storage/transport)	-20 °C ... 70 °C

Standards and regulations

Standards/regulations	DIN EN 50178 IEC 60664
-----------------------	---------------------------

Mounting

Mounting position	any
-------------------	-----

Notes

Notes on operation	For proper use, the specifications of the installation directive (see Downloads) must be observed. For applications or use with third-party products, the specifications, and the safety and warning instructions of the respective third-party manufacturer must also
--------------------	--

FLKM 50-PA-AB/IBN - Front adapter

2289816

<https://www.phoenixcontact.com/us/products/2289816>



be met.

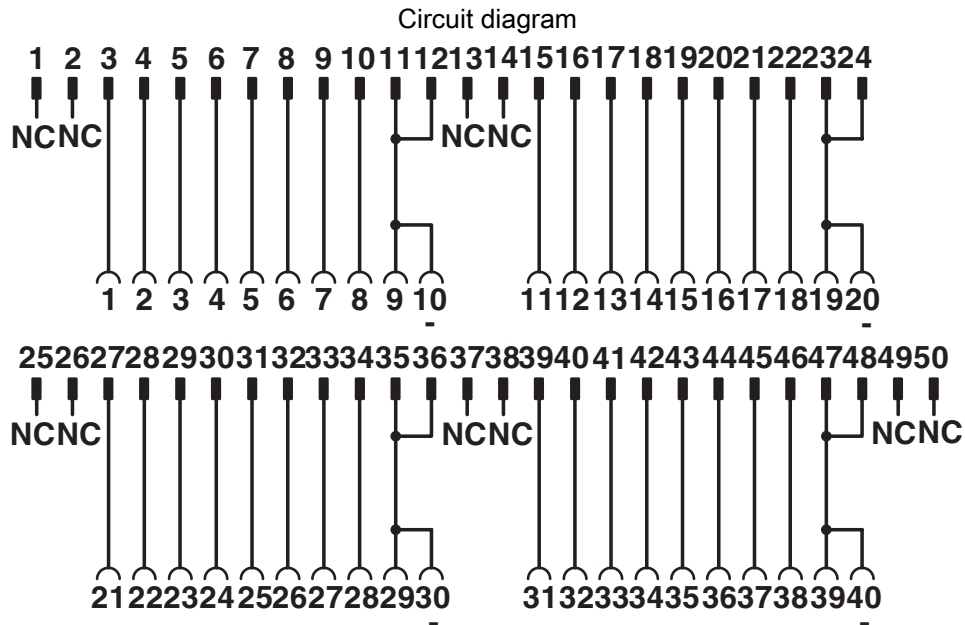
FLKM 50-PA-AB/IBN - Front adapter



2289816

<https://www.phoenixcontact.com/us/products/2289816>

Drawings



Connection scheme FLKM 50-PA-AB/IBN

FLKM 50-PA-AB/IBN - Front adapter

2289816

<https://www.phoenixcontact.com/us/products/2289816>



Classifications

ECLASS

ECLASS-13.0	27242292
-------------	----------

FLKM 50-PA-AB/IBN - Front adapter



2289816

<https://www.phoenixcontact.com/us/products/2289816>

Environmental product compliance

China RoHS

Environment friendly use period (EFUP)	EFUP-50
	An article-related China RoHS declaration table can be found in the download area for the respective article under "Manufacturer declaration". For all articles with EFUP-E, no China RoHS declaration table issued and required.

EU REACH SVHC

REACH candidate substance (CAS No.)	No substance above 0.1 wt%
-------------------------------------	----------------------------

Phoenix Contact 2026 © - all rights reserved
<https://www.phoenixcontact.com>

Phoenix Contact USA
586 Fulling Mill Road
Middletown, PA 17057, United States
(+717) 944-1300
info@phoenixcon.com