

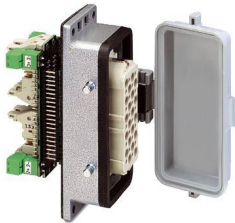
DFLK 14/4FLK/HC-D40-BU/PLC - Passive module



2289405

<https://www.phoenixcontact.com/us/products/2289405>

Please be informed that the data shown in this PDF document is generated from our online catalog. Please find the complete data in the user documentation. Our general terms of use for downloads are valid.



Feed-through VARIOFACE, for 4 x 8 channels, connects 40-position HEAVYCON panel mounting base (with female insert) to four 14-position flat-ribbon cable connectors

Commercial data

Item number	2289405
Packing unit	1 pc
Note	Made to order (non-returnable)
Sales key	C421
Product key	DK21C1
GTIN	4017918057558
Weight per piece (including packing)	302.2 g
Weight per piece (excluding packing)	302.2 g
Customs tariff number	85369010
Country of origin	DE

2289405

<https://www.phoenixcontact.com/us/products/2289405>

Technical data

Product properties

Product type	Interface module
Product family	VARIOFACE
Number of positions	14

Insulation characteristics

Overvoltage category	II
Pollution degree	2

Electrical properties

Nominal voltage U_N	< 50 V AC
	60 V DC
Max. current carrying capacity per branch	1 A
Max. total current of all branches	8 A (per byte)
Max. total current of voltage supply	3 A (per byte)

Supported controller: SIEMENS S7-400

Suitable I/O card	6ES7421-1BL01-0AA0
	6ES7422-1BL00-0AA0
	6ES7422-7BL00-0AB0

Supported controller: GE-FANUC 90-30

Suitable I/O card	IC693 MDL241
	IC693 MDL634
	IC693 MDL645
	IC693 MDL646
	IC693 MDL732
	IC693 MDL733
	IC693 MDL740
	IC693 MDL741
	IC693 MDL742

Supported controller: ALLEN-BRADLEY ControlLogix

Suitable I/O card	1756-IB32
	1756-OB32
	1756-IN16
	1756-IB16
	1756-IC16
	1756-OB16E

Supported controller: ALLEN-BRADLEY PLC 5

Suitable I/O card	1771 IBN
	1771 OBN

DFLK 14/4FLK/HC-D40-BU/PLC - Passive module



2289405

<https://www.phoenixcontact.com/us/products/2289405>

Supported controller: ALLEN-BRADLEY SLC 500

Suitable I/O card	1746 OB16
	1746 OV16
	1746 OG16
	1746 IA16
	1746 ITB16
	1746 IN16
	1746 IV16
	1746 ITV16
	1746 IG16
	1746 OB 32
	1746 OV 32
	1746 IB 32
	1746 IV 32
	1746 IB16

Supported controller: HONEYWELL Experion PKS C200

Suitable I/O card	TC-IDD 321
	TC-ODD 321

Supported controller: MITSUBISHI MELSEC Q

Suitable I/O card	QX81
	QY81P

Supported controller: SCHNEIDER ELECTRIC Modicon TSX QUANTUM

Suitable I/O card	DDI 353
	DDI 853
	DAI 353
	DAI 453
	DDO 353

Supported controller: SIEMENS S7-300 / ET 200 M

Suitable I/O card	CPU 313C-2DP
	CPU 314C-2DP
	CPU 314C-2PtP
	6ES7321-1BH02-0AA0
	6ES7321-1BL00-0AA0
	6ES7322-1BH01-0AA0
	6ES7322-1BL00-0AA0
	6ES7323-1BH01-0AA0
	6ES7323-1BL00-0AA0
	6ES7321-1BH10-0AA0
	6ES7322-1BH10-0AA0
	CPU 313C
	CPU 313C-2PtP

DFLK 14/4FLK/HC-D40-BU/PLC - Passive module



2289405

<https://www.phoenixcontact.com/us/products/2289405>

Connection data

Field level

Connection method	HEAVYCON D40 female connector
Stripping length	8 mm
Number of connections	1
Number of positions	40
Conductor cross-section rigid	0.14 mm ² ... 1.5 mm ²
Conductor cross-section flexible	0.14 mm ² ... 1.5 mm ²
Conductor cross-section AWG	28 ... 16

Controller level

Connection method	IDC/FLK pin strip
Number of connections	4
Number of positions	14
Pitch	2.54 mm

Signaling

Status display	no
Status display present	no

Dimensions

Item dimensions

Height	85 mm
--------	-------

Material specifications

Color	green (RAL 6021)
Housing insulation material	Polyamide 6.6 green

Environmental and real-life conditions

Ambient conditions

Ambient temperature (operation)	-20 °C ... 50 °C
Ambient temperature (storage/transport)	-20 °C ... 70 °C

Standards and regulations

Standards/regulations	IEC 60664
	IEC 60664A
	DIN VDE 0110
	DIN VDE 0160 (in parts)

Mounting

Mounting position	any
-------------------	-----

Notes

DFLK 14/4FLK/HC-D40-BU/PLC - Passive module



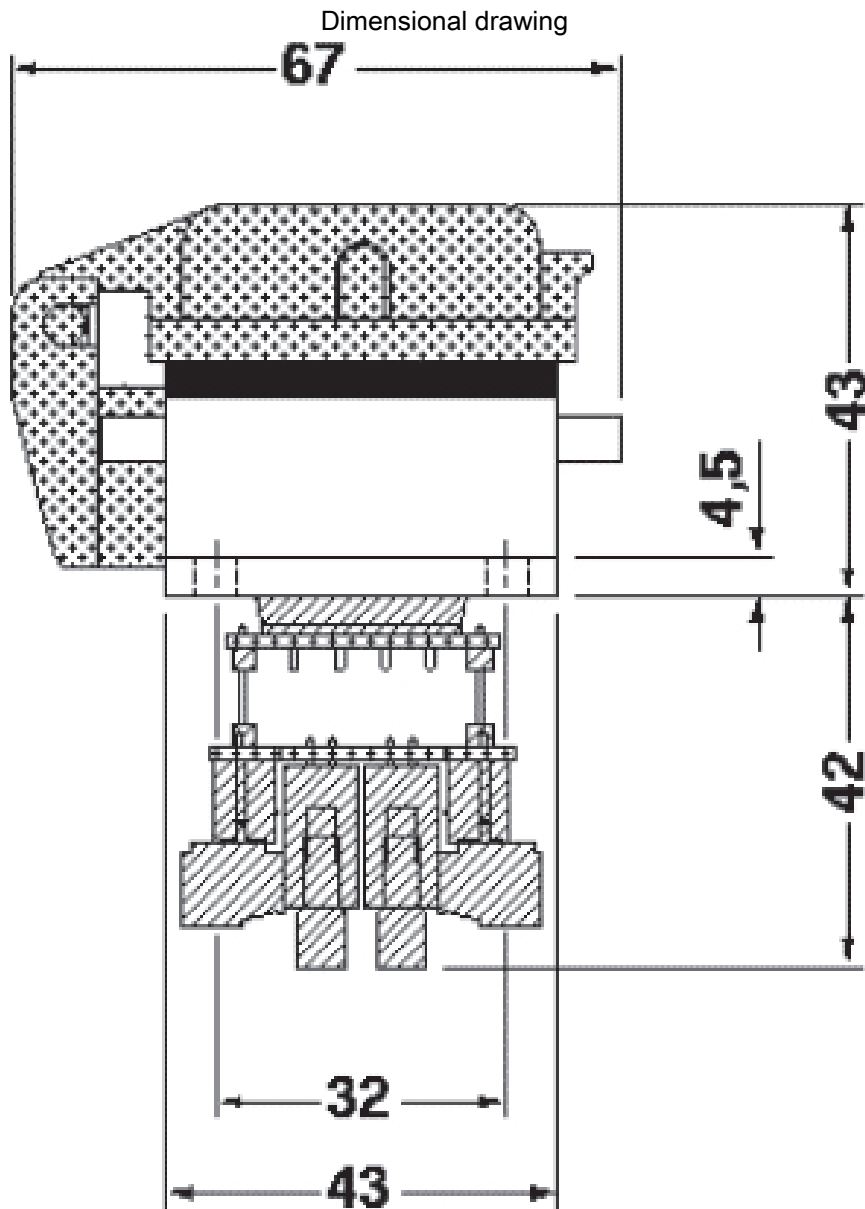
2289405

<https://www.phoenixcontact.com/us/products/2289405>

Notes on operation

For proper use, the specifications of the installation directive (see Downloads) must be observed. For applications or use with third-party products, the specifications, and the safety and warning instructions of the respective third-party manufacturer must also be met.

Drawings



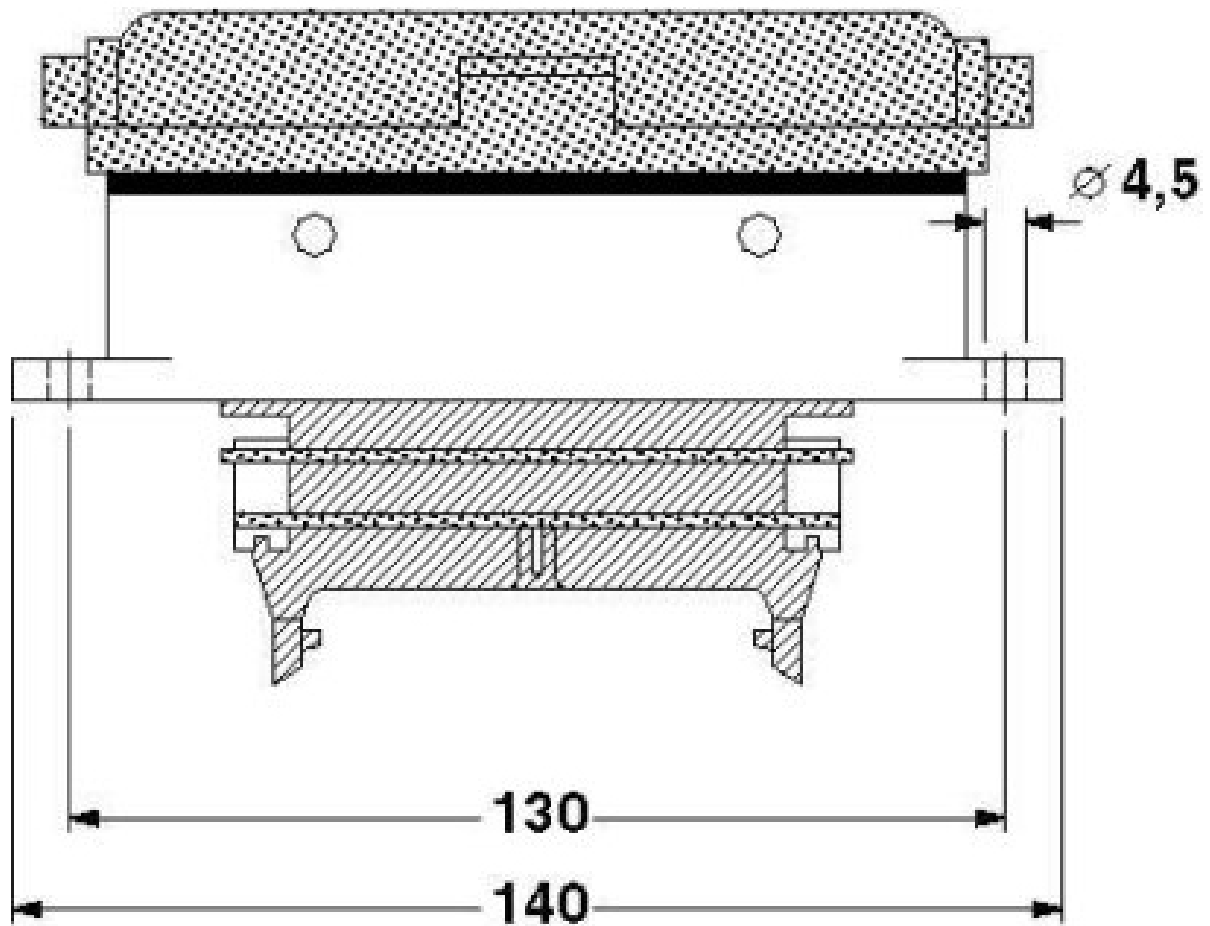
DFLK 14/4FLK/HC-D40-BU/PLC - Passive module



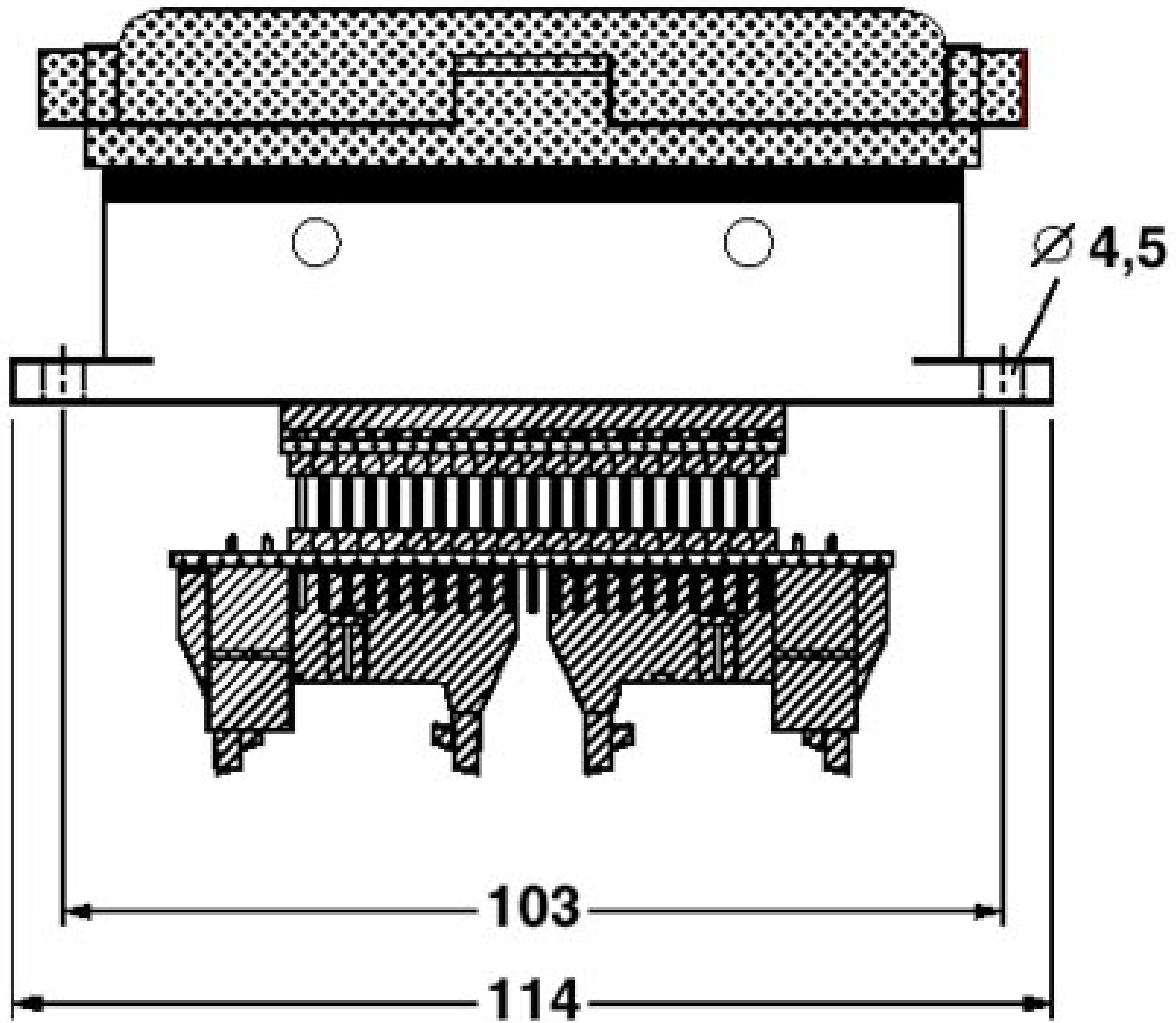
2289405

<https://www.phoenixcontact.com/us/products/2289405>

Dimensional drawing



Dimensional drawing

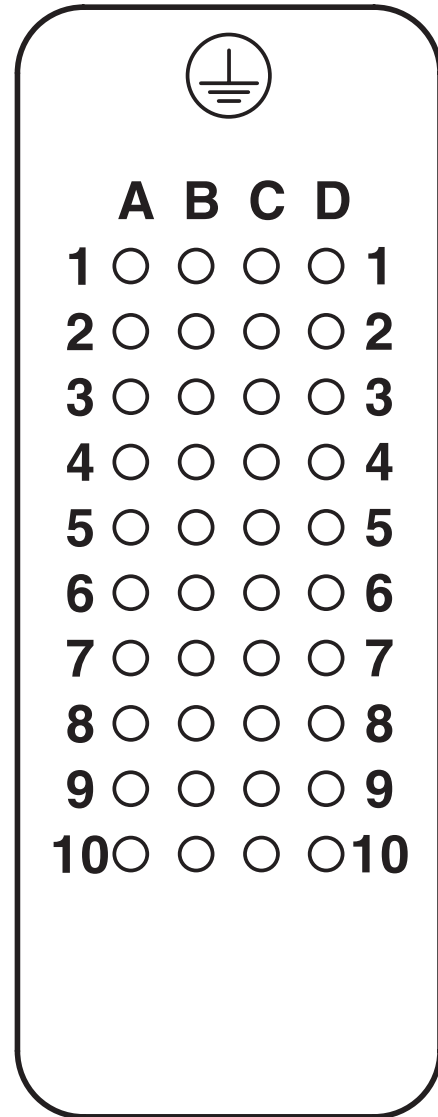
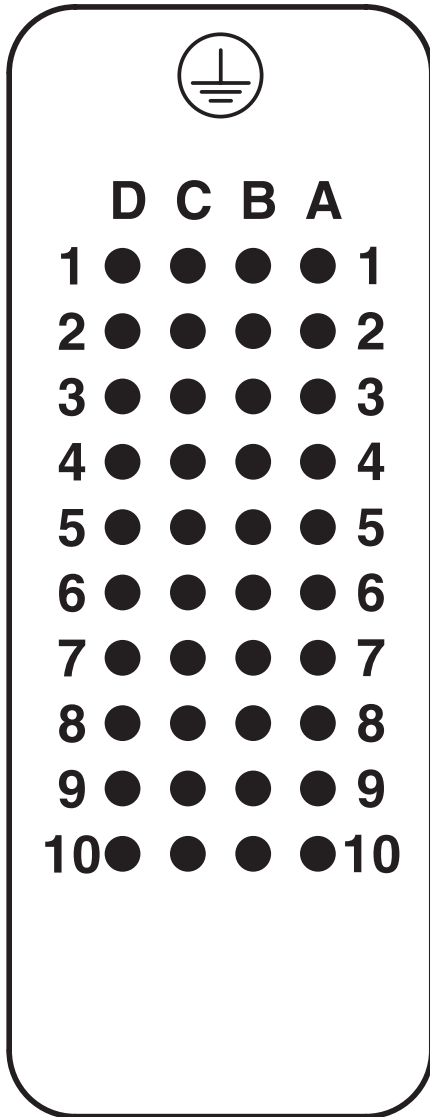


Panel cutout 35 x 86

2289405

<https://www.phoenixcontact.com/us/products/2289405>

Schematic diagram



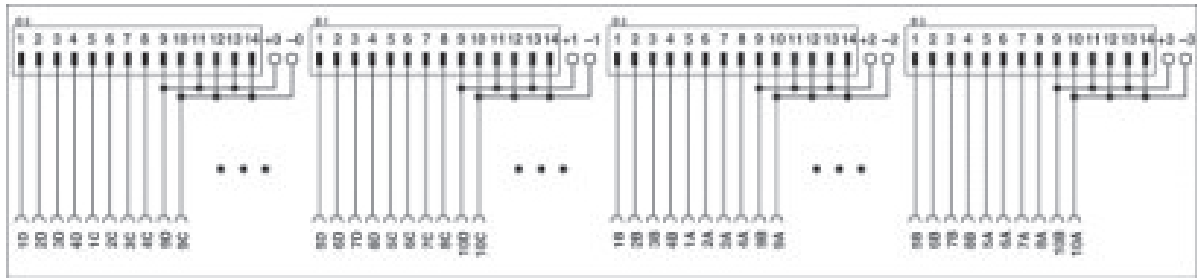
DFLK 14/4FLK/HC-D40-BU/PLC - Passive module



2289405

<https://www.phoenixcontact.com/us/products/2289405>

Circuit diagram



DFLK 14/4FLK/HC-D40-BU/PLC - Passive module



2289405

<https://www.phoenixcontact.com/us/products/2289405>

Environmental product compliance

EU REACH SVHC

REACH candidate substance (CAS No.)	
-------------------------------------	--

	No substance above 0.1 wt%
--	----------------------------

Phoenix Contact 2026 © - all rights reserved

<https://www.phoenixcontact.com>

Phoenix Contact USA
586 Fulling Mill Road
Middletown, PA 17057, United States
(+717) 944-1300
info@phoenixcon.com