

FLKM 50-PA-MODI-984/B838 - Front adapter



2289395

<https://www.phoenixcontact.com/us/products/2289395>

Please be informed that the data shown in this PDF document is generated from our online catalog. Please find the complete data in the user documentation. Our general terms of use for downloads are valid.



VARIOFACE front adapter, for Schneider Electric Modicon 984 series 800, output card B838

Commercial data

Item number	2289395
Packing unit	2 pc
Minimum order quantity	2 pc
Note	Made to order (non-returnable)
Sales key	C421
Product key	DK231F
GTIN	4017918057541
Weight per piece (including packing)	215.1 g
Weight per piece (excluding packing)	2.75 g
Customs tariff number	85369010
Country of origin	DE

FLKM 50-PA-MODI-984/B838 - Front adapter



2289395

<https://www.phoenixcontact.com/us/products/2289395>

Technical data

Product properties

Product type	Front adapter
--------------	---------------

Electrical properties

Max. permissible operating voltage	60 V AC/DC
Max. permissible current	1 A (per path)
	8 A (per slip-on connection (0+; 1+; 2+; 3+; B-; B+))

Environmental and real-life conditions

Ambient conditions

Ambient temperature (operation)	-20 °C ... 50 °C
---------------------------------	------------------

Standards and regulations

Standards/regulations	IEC 60664
	IEC 60664A
	DIN VDE 0110
	DIN VDE 0160 (in parts)

Notes

Notes on operation	For proper use, the specifications of the installation directive (see Downloads) must be observed. For applications or use with third-party products, the specifications, and the safety and warning instructions of the respective third-party manufacturer must also be met.
--------------------	--

FLKM 50-PA-MODI-984/B838 - Front adapter

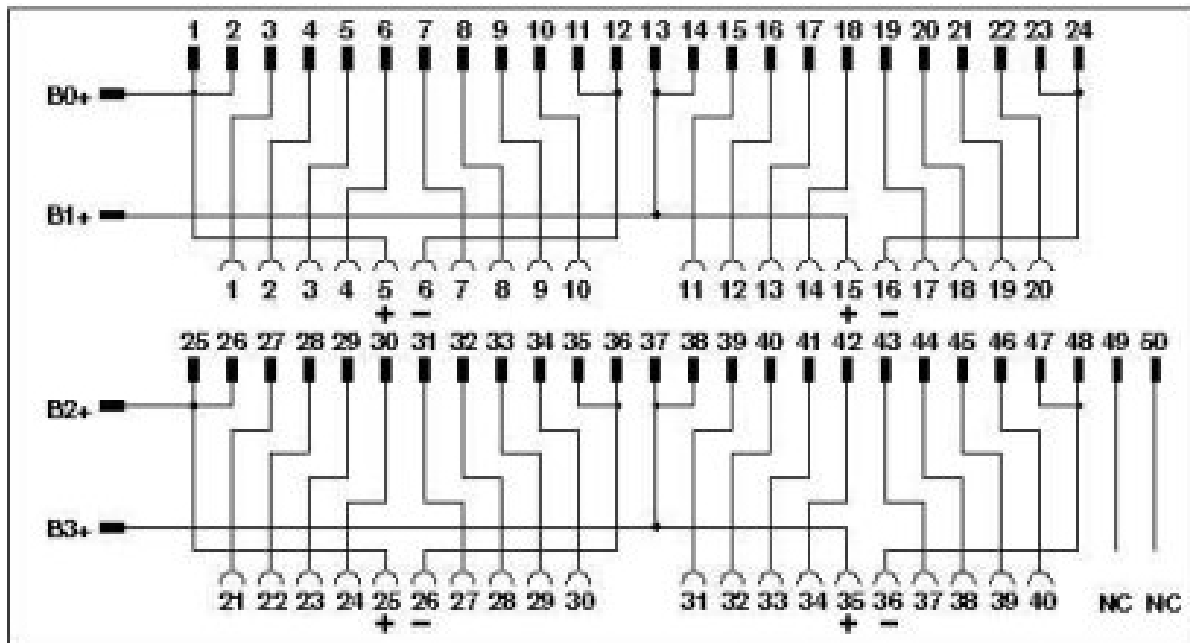


2289395

<https://www.phoenixcontact.com/us/products/2289395>

Drawings

Circuit diagram



FLKM 50-PA-MODI-984/B838 - Front adapter



2289395

<https://www.phoenixcontact.com/us/products/2289395>

Classifications

ECLASS

ECLASS-13.0	27242292
-------------	----------

FLKM 50-PA-MODI-984/B838 - Front adapter



2289395

<https://www.phoenixcontact.com/us/products/2289395>

Environmental product compliance

EU REACH SVHC

REACH candidate substance (CAS No.)	No substance above 0.1 wt%
-------------------------------------	----------------------------

Phoenix Contact 2026 © - all rights reserved

<https://www.phoenixcontact.com>

Phoenix Contact USA
586 Fulling Mill Road
Middletown, PA 17057, United States
(+717) 944-1300
info@phoenixcon.com