

# FLKM 50/4-FLK14/PA-S135 - Front adapter



2288590

<https://www.phoenixcontact.com/us/products/2288590>

Please be informed that the data shown in this PDF document is generated from our online catalog. Please find the complete data in the user documentation. Our general terms of use for downloads are valid.



VARIOFACE front adapter, for Siemens SIMATIC® S5-135U, 4x 8 channels can be connected

The figure shows versions FLKM 50-PA-S135/P and FLKM 50/4-FLK14/PA-S135

## Commercial data

Item number	2288590
Packing unit	1 pc
Note	Made to order (non-returnable)
Sales key	C421
Product key	DK231S
GTIN	4017918057114
Weight per piece (including packing)	275.3 g
Weight per piece (excluding packing)	217.7 g
Customs tariff number	85369010
Country of origin	DE

# FLKM 50/4-FLK14/PA-S135 - Front adapter



2288590

<https://www.phoenixcontact.com/us/products/2288590>

## Technical data

### Product properties

Product type	Front adapter
--------------	---------------

### Insulation characteristics

Overvoltage category	II
Pollution degree	2

### Electrical properties

Max. permissible operating voltage	< 50 V AC
	60 V DC
Max. permissible current	0.5 A (per path)
	8 A (per connection, supply via separate power supply)
Max. permissible total current	3 A (per Byte, for supply via connector)

### Connection data

#### Field level

Connection method	IDC/FLK pin strip
Number of connections	4
Number of positions	14
Pitch	2.54 mm

### Environmental and real-life conditions

#### Ambient conditions

Ambient temperature (operation)	-20 °C ... 50 °C
Ambient temperature (storage/transport)	-20 °C ... 70 °C

### Standards and regulations

Standards/regulations	IEC 60664
	IEC 60664A
	DIN VDE 0110
	DIN VDE 0160 (in parts)

### Mounting

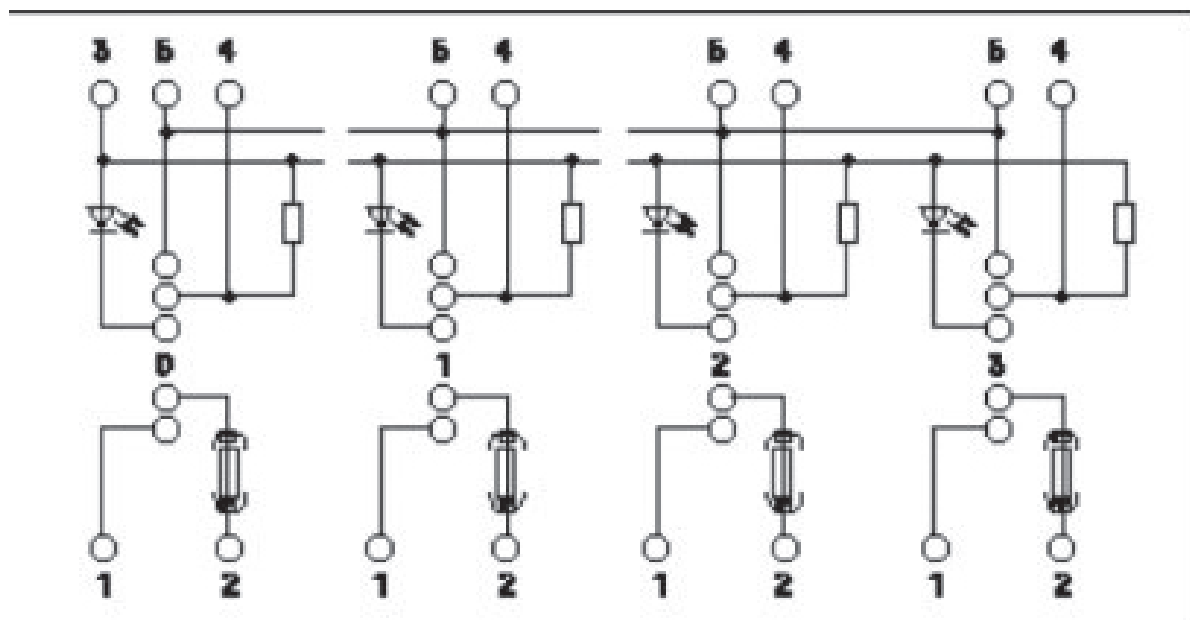
Mounting position	any
-------------------	-----

### Notes

Notes on operation	For proper use, the specifications of the installation directive (see Downloads) must be observed. For applications or use with third-party products, the specifications, and the safety and warning instructions of the respective third-party manufacturer must also be met.
--------------------	--

Drawings

Circuit diagram



# FLKM 50/4-FLK14/PA-S135 - Front adapter

2288590

<https://www.phoenixcontact.com/us/products/2288590>



## Classifications

### ECLASS

ECLASS-13.0	27242292
-------------	----------

# FLKM 50/4-FLK14/PA-S135 - Front adapter



2288590

<https://www.phoenixcontact.com/us/products/2288590>

## Environmental product compliance

### China RoHS

Environment friendly use period (EFUP)	EFUP-50 An article-related China RoHS declaration table can be found in the download area for the respective article under "Manufacturer declaration". For all articles with EFUP-E, no China RoHS declaration table issued and required.
--	--

### EU REACH SVHC

REACH candidate substance (CAS No.)	No substance above 0.1 wt%
-------------------------------------	----------------------------

Phoenix Contact 2026 © - all rights reserved  
<https://www.phoenixcontact.com>

Phoenix Contact USA  
586 Fulling Mill Road  
Middletown, PA 17057, United States  
(+717) 944-1300  
[info@phoenixcon.com](mailto:info@phoenixcon.com)