

FRONT-SFL 2,5/F48 - Female connector strip

2285603

<https://www.phoenixcontact.com/us/products/2285603>

Please be informed that the data shown in this PDF document is generated from our online catalog. Please find the complete data in the user documentation. Our general terms of use for downloads are valid.



BOX



19" socket strip, color: green, number of positions: 48, product range: FRONT-SFL 2,5, pitch: 0 mm, type of packaging: packed in cardboard

Commercial data

Item number	2285603
Packing unit	10 pc
Minimum order quantity	1 pc
Sales key	AA08
Product key	AAHHAA
GTIN	4017918056001
Weight per piece (including packing)	176.8 g
Weight per piece (excluding packing)	177.583 g
Customs tariff number	85369010
Country of origin	PL

FRONT-SFL 2,5/F48 - Female connector strip



2285603

<https://www.phoenixcontact.com/us/products/2285603>

Technical data

Product properties

Product type	19" socket strip
Product family	FRONT-SFL 2,5
Type	F
Number of positions	48
Pitch	0 mm

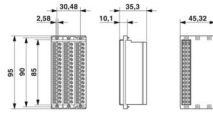
Electrical properties

Rated surge voltage (III/3)	4 kV
-----------------------------	------

Connection data

Connection method	Screw connection
Stripping length	10 mm
Screw thread	M2,5

Dimensions

Dimensional drawing	
Width	95 mm
Height	35.3 mm
Length	45.32 mm
Hole diameter	2.8 mm
Pitch	-

Material specifications

Color (Housing)	green (RAL 6021)
Flammability rating according to UL 94	V2
Insulating material group	I
Insulating material	PA
Contact surface	Tin Sn

Standards and regulations

Connection in acc. with standard	EN-VDE
----------------------------------	--------

Packaging specifications

Type of packaging	packed in cardboard
-------------------	---------------------

FRONT-SFL 2,5/F48 - Female connector strip

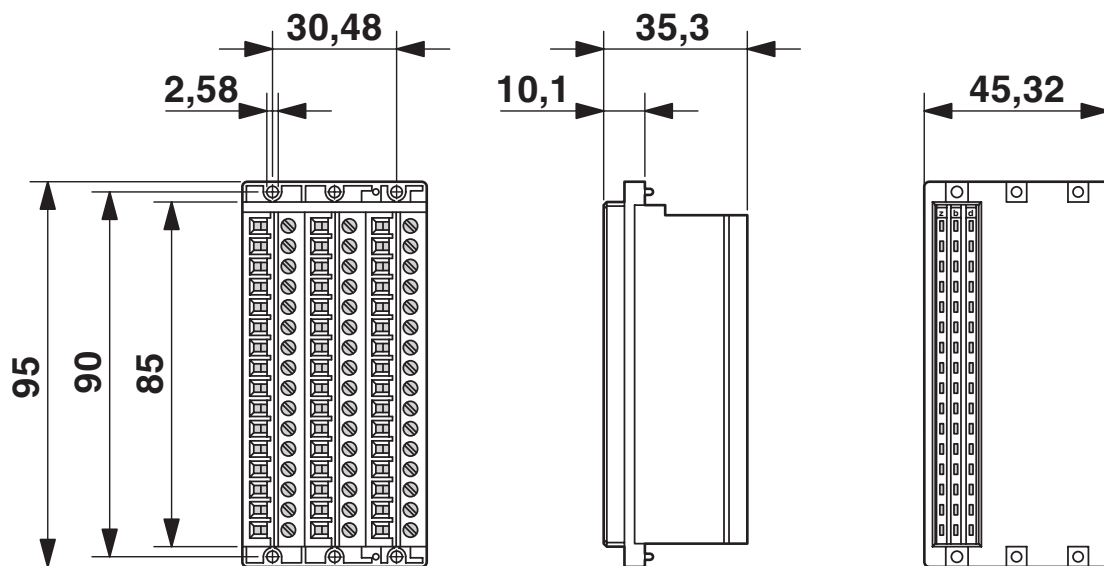
2285603

<https://www.phoenixcontact.com/us/products/2285603>



Drawings

Dimensional drawing



FRONT-SFL 2,5/F48 - Female connector strip




2285603

<https://www.phoenixcontact.com/us/products/2285603>

Approvals

To download certificates, visit the product detail page: <https://www.phoenixcontact.com/us/products/2285603>

 cULus Recognized Approval ID: E60425-19860303		Nominal voltage U_N	Nominal current I_N	Cross section AWG	Cross section mm^2
B		250 V	4 A	30 - 12	-
D		300 V	4 A	30 - 12	-

FRONT-SFL 2,5/F48 - Female connector strip



2285603

<https://www.phoenixcontact.com/us/products/2285603>

Classifications

ECLASS

ECLASS-13.0	27460101
ECLASS-15.0	27460101

ETIM

ETIM 10.0	EC002643
-----------	----------

UNSPSC

UNSPSC 21.0	39121400
-------------	----------

FRONT-SFL 2,5/F48 - Female connector strip



2285603

<https://www.phoenixcontact.com/us/products/2285603>

Environmental product compliance

EU RoHS

Fulfills EU RoHS substance requirements	Yes, No exemptions
---	--------------------

China RoHS

Environment friendly use period (EFUP)	EFUP-E
	No hazardous substances above the limits

EU REACH SVHC

REACH candidate substance (CAS No.)	No substance above 0.1 wt%
-------------------------------------	----------------------------

Phoenix Contact 2026 © - all rights reserved
<https://www.phoenixcontact.com>

Phoenix Contact USA
586 Fulling Mill Road
Middletown, PA 17057, United States
(+717) 944-1300
info@phoenixcon.com