

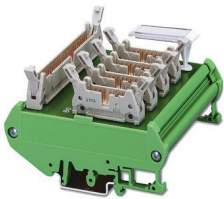
FLKM 50/4-FLK14/PLC - Passive module



2284594

<https://www.phoenixcontact.com/us/products/2284594>

Please be informed that the data shown in this PDF document is generated from our online catalog. Please find the complete data in the user documentation. Our general terms of use for downloads are valid.



The VARIOFACE distributor module makes it possible to split up 32 I/O signals into 4 x 8 channels byte by byte. The module connects 50-position system cables to four 14-position system cables via male connectors, module width: 90 mm

Commercial data

Item number	2284594
Packing unit	1 pc
Minimum order quantity	1 pc
Note	Made to order (non-returnable)
Sales key	C421
Product key	DK2181
GTIN	4017918055769
Weight per piece (including packing)	139 g
Weight per piece (excluding packing)	103.08 g
Customs tariff number	85369010
Country of origin	DE

FLKM 50/4-FLK14/PLC - Passive module



2284594

<https://www.phoenixcontact.com/us/products/2284594>

Technical data

Product properties

Product type	Interface module
Product family	VARIOFACE
Operating mode	100% operating factor

Insulation characteristics: Air clearances and creepage distances

Insulation	Functional insulation
Overvoltage category	II
Pollution degree	2

Electrical properties

Operating voltage (AC)	≤ 30 V AC
Operating voltage (DC)	≤ 60 V DC
Current (per branch)	≤ 1 A
Current (Voltage supply)	≤ 2 A

Air clearances and creepage distances

Rated insulation voltage	63 V
Rated surge voltage	0.6 kV (1.2/50 μs)

Connection data

Connection 1 (control level)

Connection in acc. with standard	IEC 60603-13
Connection method	IDC/FLK pin strip
Number of connections	1
Number of positions	14
Insertion/withdrawal cycles	> 50
Pitch	2.54 mm

Output, 4 x 8 channels

Connection method	IDC/FLK pin strip
Number of connections	4
Number of positions	14
Insertion/withdrawal cycles	> 50
Pitch	2.54 mm

Signaling

Status display present	no
------------------------	----

Dimensions

Item dimensions

Width	89.5 mm
-------	---------

FLKM 50/4-FLK14/PLC - Passive module



2284594

<https://www.phoenixcontact.com/us/products/2284594>

Height	90 mm
Depth	61 mm

Material specifications

Color	green (RAL 6021)
Housing insulation material	Polyamide 6.6 green

Environmental and real-life conditions

Ambient conditions

Degree of protection (Module)	IP00
Degree of protection (Installation location)	≥ IP54
Ambient temperature (operation)	-20 °C ... 50 °C
Ambient temperature (storage/transport)	-20 °C ... 70 °C
Altitude	≤ 2000 m

Approvals

UKCA

Certificate	UKCA-compliant
-------------	----------------

Standards and regulations

Air clearances and creepage distances

Standards/regulations	EN IEC 60664-1
-----------------------	----------------

Mounting

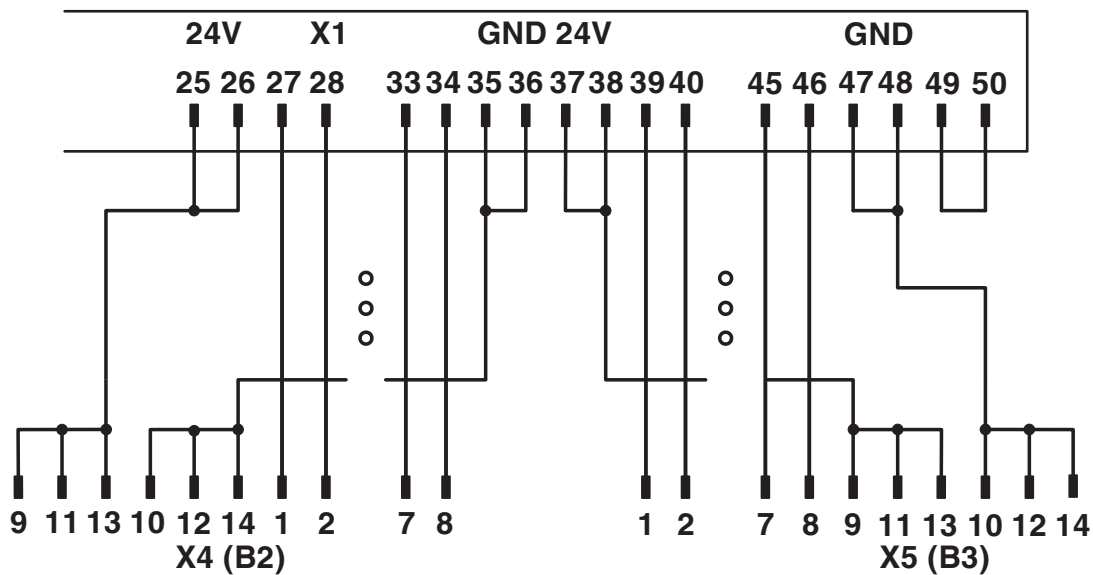
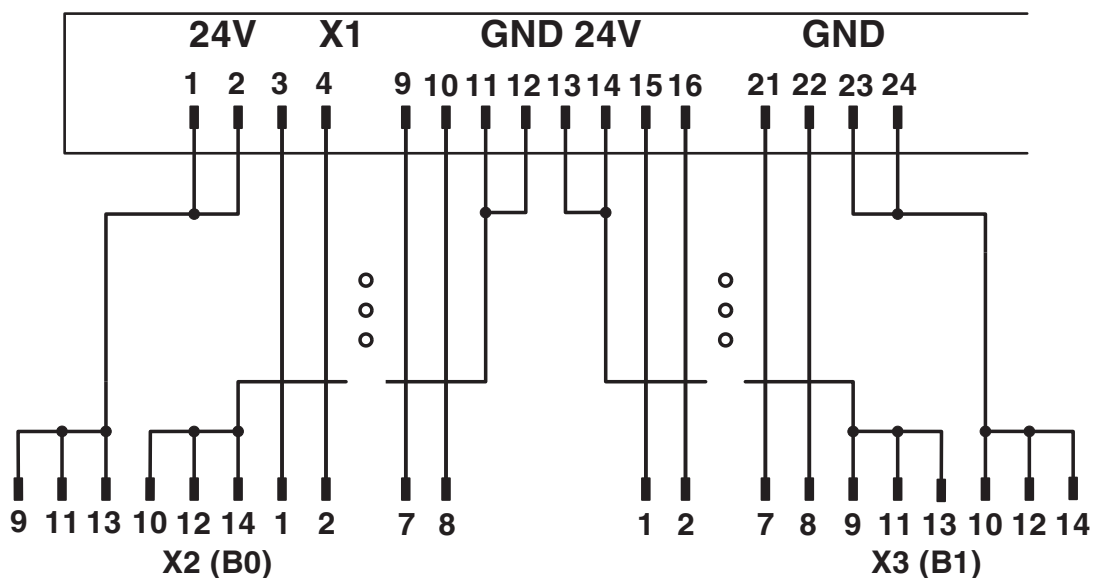
Mounting type	DIN rail mounting
Mounting position	any

Notes

Notes on operation	For proper use, the specifications of the installation directive (see Downloads) must be observed. For applications or use with third-party products, the specifications, and the safety and warning instructions of the respective third-party manufacturer must also be met.
--------------------	--

Drawings

Circuit diagram



FLKM 50/4-FLK14/PLC - Passive module





2284594

<https://www.phoenixcontact.com/us/products/2284594>

Approvals

To download certificates, visit the product detail page: <https://www.phoenixcontact.com/us/products/2284594>

 cUL Recognized Approval ID: E238705				
	Nominal voltage U_N	Nominal current I_N	Cross section AWG	Cross section mm^2
keine				
	125 V	2 A	-	-

 UL Recognized Approval ID: E238705				
	Nominal voltage U_N	Nominal current I_N	Cross section AWG	Cross section mm^2
keine				
	125 V	2 A	-	-

FLKM 50/4-FLK14/PLC - Passive module



2284594

<https://www.phoenixcontact.com/us/products/2284594>

Classifications

ECLASS

ECLASS-13.0	27141152
ECLASS-15.0	27141152

ETIM

ETIM 10.0	EC002780
-----------	----------

UNSPSC

UNSPSC 21.0	39121400
-------------	----------

FLKM 50/4-FLK14/PLC - Passive module



2284594

<https://www.phoenixcontact.com/us/products/2284594>

Environmental product compliance

EU RoHS

Fulfills EU RoHS substance requirements	Yes, No exemptions
---	--------------------

China RoHS

Environment friendly use period (EFUP)	EFUP-E
	No hazardous substances above the limits

EU REACH SVHC

REACH candidate substance (CAS No.)	No substance above 0.1 wt%
-------------------------------------	----------------------------

Phoenix Contact 2026 © - all rights reserved
<https://www.phoenixcontact.com>

Phoenix Contact USA
586 Fulling Mill Road
Middletown, PA 17057, United States
(+717) 944-1300
info@phoenixcon.com