

FLK-D37 SUB/S - Termination board



2283634

<https://www.phoenixcontact.com/us/products/2283634>

Please be informed that the data shown in this PDF document is generated from our online catalog. Please find the complete data in the user documentation. Our general terms of use for downloads are valid.



VARIOFACE module, with screw connection and D-Subminiature male connector, for mounting on NS 35/7.5 or NS 32, 37-pos. (separate test socket for each channel)

Commercial data

Item number	2283634
Packing unit	1 pc
Note	Made to order (non-returnable)
Sales key	C422
Product key	DK2182
GTIN	4017918055578
Weight per piece (including packing)	160.63 g
Weight per piece (excluding packing)	144.478 g
Customs tariff number	85369010
Country of origin	DE

FLK-D37 SUB/S - Termination board



2283634

<https://www.phoenixcontact.com/us/products/2283634>

Technical data

Product properties

Product type	Interface module
Product family	VARIOFACE
Number of positions	37

Insulation characteristics

Overvoltage category	II
Pollution degree	2

Electrical properties

Nominal voltage U_N	125 V AC
Max. current carrying capacity per branch	2.5 A
Max. total current of all branches	55 A

Connection data

Field level

Connection in acc. with standard	IEC / EN
Connection method	Screw connection
Stripping length	8 mm
Screw thread	M3
Note	separate test socket for each channel
Conductor cross-section rigid	0.2 mm ² ... 4 mm ²
Conductor cross-section flexible	0.2 mm ² ... 2.5 mm ²
Conductor cross-section AWG	24 ... 12

Controller level

Connection method	D-SUB pin strip
Number of positions	37

Signaling

Status display present	no
------------------------	----

Dimensions

Item dimensions

Width	96 mm
Height	51.6 mm
Depth	51.2 mm

Material specifications

Color	green (RAL 6021)
Housing insulation material	Polyamide 6 green

FLK-D37 SUB/S - Termination board



2283634

<https://www.phoenixcontact.com/us/products/2283634>

Environmental and real-life conditions

Ambient conditions

Ambient temperature (operation)	-25 °C ... 50 °C
Ambient temperature (storage/transport)	-25 °C ... 70 °C

Standards and regulations

Standards/regulations	IEC 60664
	DIN EN 50178

Mounting

Mounting type	DIN rail mounting
Mounting position	any

Notes

Notes on operation	For proper use, the specifications of the installation directive (see Downloads) must be observed. For applications or use with third-party products, the specifications, and the safety and warning instructions of the respective third-party manufacturer must also be met.
--------------------	--

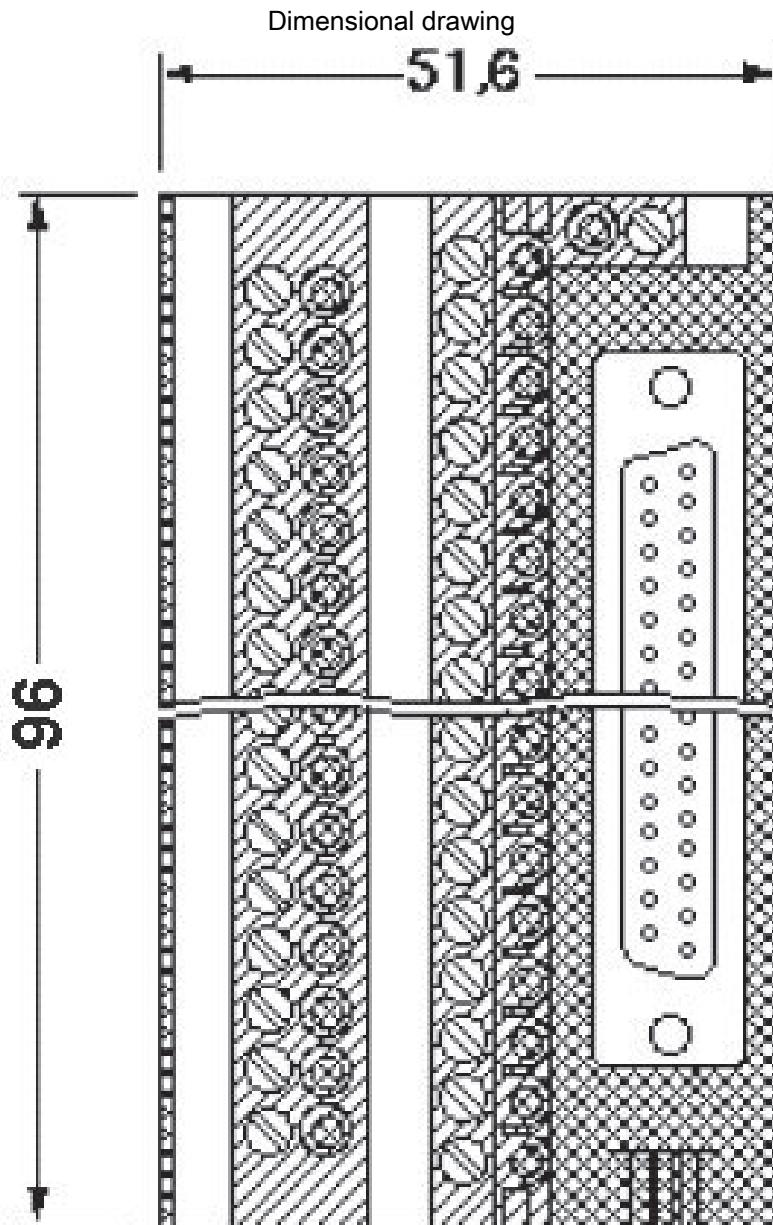
FLK-D37 SUB/S - Termination board

2283634

<https://www.phoenixcontact.com/us/products/2283634>



Drawings



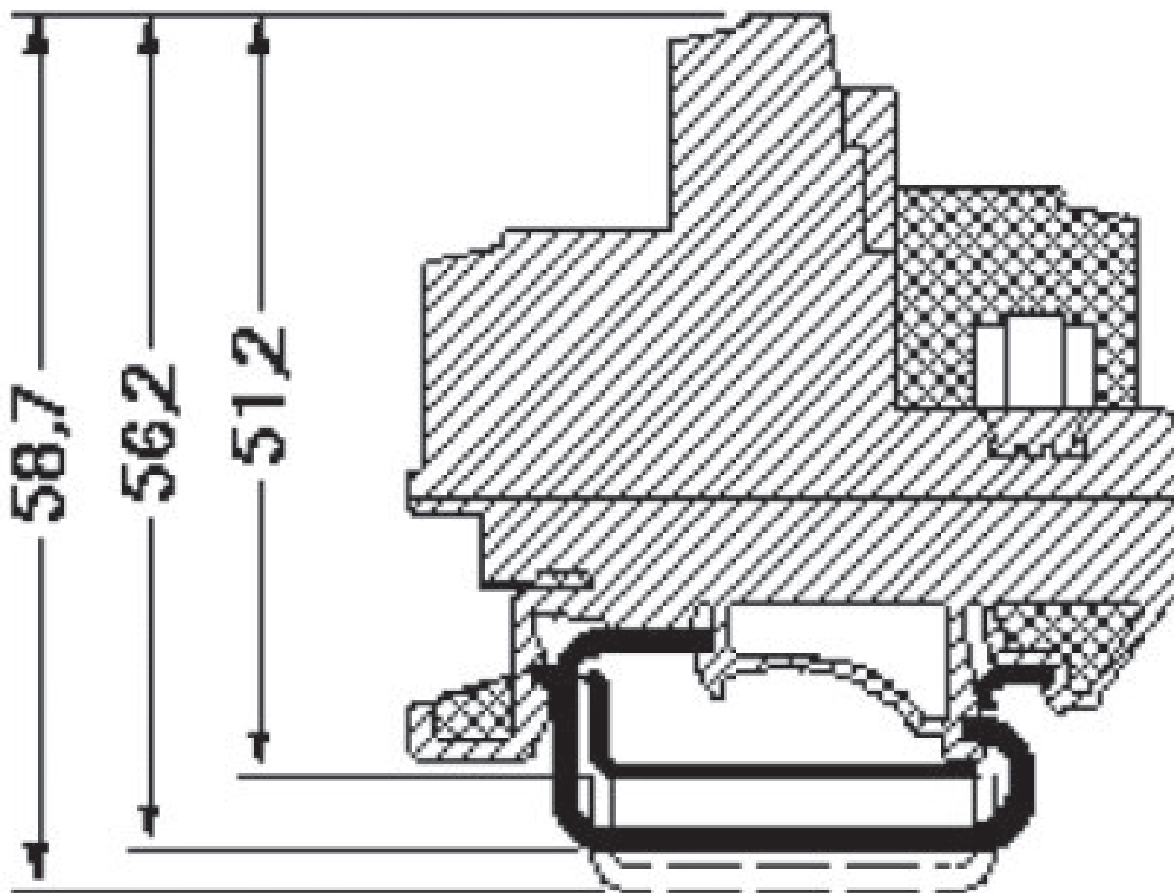
FLK-D37 SUB/S - Termination board



2283634

<https://www.phoenixcontact.com/us/products/2283634>

Dimensional drawing



FLK-D37 SUB/S - Termination board



2283634

<https://www.phoenixcontact.com/us/products/2283634>

Environmental product compliance

EU REACH SVHC

REACH candidate substance (CAS No.)	
-------------------------------------	--

	No substance above 0.1 wt%
--	----------------------------

Phoenix Contact 2026 © - all rights reserved

<https://www.phoenixcontact.com>

Phoenix Contact USA
586 Fulling Mill Road
Middletown, PA 17057, United States
(+717) 944-1300
info@phoenixcon.com