

# FLKM-D 9 SUB/B/LA - Termination board



2281678

<https://www.phoenixcontact.com/us/products/2281678>

Please be informed that the data shown in this PDF document is generated from our online catalog. Please find the complete data in the user documentation. Our general terms of use for downloads are valid.



VARIOFACE module, with screw connection and D-Subminiature socket strip, for mounting on NS 35/7.5 or NS 32, with light indicator, 9-pos.

The figure shows version FLKM-D37  
SUB/B/LA

## Commercial data

Item number	2281678
Packing unit	10 pc
Minimum order quantity	1 pc
Note	Made to order (non-returnable)
Sales key	C422
Product key	DK2182
GTIN	4017918054922
Weight per piece (including packing)	88 g
Weight per piece (excluding packing)	78.774 g
Customs tariff number	85369010
Country of origin	DE

# FLKM-D 9 SUB/B/LA - Termination board



2281678

<https://www.phoenixcontact.com/us/products/2281678>

## Technical data

### Product properties

Product type	Interface module
Product family	VARIOFACE
Number of positions	9

### Insulation characteristics: Air clearances and creepage distances

Insulation	Functional insulation
Overvoltage category	II
Pollution degree	2

### Electrical properties

Operating voltage (DC)	24 V DC
Operating voltage range	19.2 V DC ... 30 V DC
Current (per branch)	≤ 2.5 A

### Air clearances and creepage distances

Rated insulation voltage	50 V
Rated surge voltage	0.5 kV (1.2/50 μs)

### Connection data

#### Connection 1 (control level)

Connection in acc. with standard	IEC 60807-2
Connection method	D-SUB socket strip
Screw thread	UNC 4-40
Number of positions	9
Insertion/withdrawal cycles	> 500
Pitch	2.74 mm

#### Connection 2 (field level)

Connection method	Screw connection
Stripping length	7 mm
Screw thread	M3
Number of positions	12
Conductor cross-section rigid	0.2 mm <sup>2</sup> ... 4 mm <sup>2</sup>
Conductor cross-section rigid (2 conductors with same cross section)	0.2 mm <sup>2</sup> ... 1.5 mm <sup>2</sup>
Conductor cross-section flexible	0.2 mm <sup>2</sup> ... 2.5 mm <sup>2</sup>
	0.25 mm <sup>2</sup> ... 1.5 mm <sup>2</sup> (Ferrule without plastic sleeve)
	0.25 mm <sup>2</sup> ... 2.5 mm <sup>2</sup> (Ferrule with plastic sleeve)
Conductor cross-section flexible (2 conductors with same cross section)	0.2 mm <sup>2</sup> ... 1.5 mm <sup>2</sup>
	0.25 mm <sup>2</sup> ... 0.75 mm <sup>2</sup> (Ferrule without plastic sleeve)
	0.5 mm <sup>2</sup> ... 0.5 mm <sup>2</sup> (TWIN ferrule with plastic sleeve)
Conductor cross-section AWG	24 ... 12

# FLKM-D 9 SUB/B/LA - Termination board



2281678

<https://www.phoenixcontact.com/us/products/2281678>

Tightening torque	0.5 Nm ... 0.6 Nm
Pitch	5.08 mm

## Signaling

Status display	LED (yellow)
Status display present	yes

## Dimensions

### Item dimensions

Width	45 mm
Height	77 mm
Depth	57.47 mm

## Material specifications

Color	green (RAL 6021)
Housing insulation material	Polyamide 6 green

## Environmental and real-life conditions

### Ambient conditions

Degree of protection (Module)	IP00
Degree of protection (Installation location)	≥ IP54
Ambient temperature (operation)	-20 °C ... 50 °C
Ambient temperature (storage/transport)	-20 °C ... 70 °C
Altitude	≤ 2000 m

## Standards and regulations

### Air clearances and creepage distances

Standards/regulations	EN IEC 60664-1
-----------------------	----------------

## Mounting

Mounting type	DIN rail mounting
Mounting position	any

## Notes

Notes on operation	For proper use, the specifications of the installation directive (see Downloads) must be observed. For applications or use with third-party products, the specifications, and the safety and warning instructions of the respective third-party manufacturer must also be met.
--------------------	--

# FLKM-D 9 SUB/B/LA - Termination board

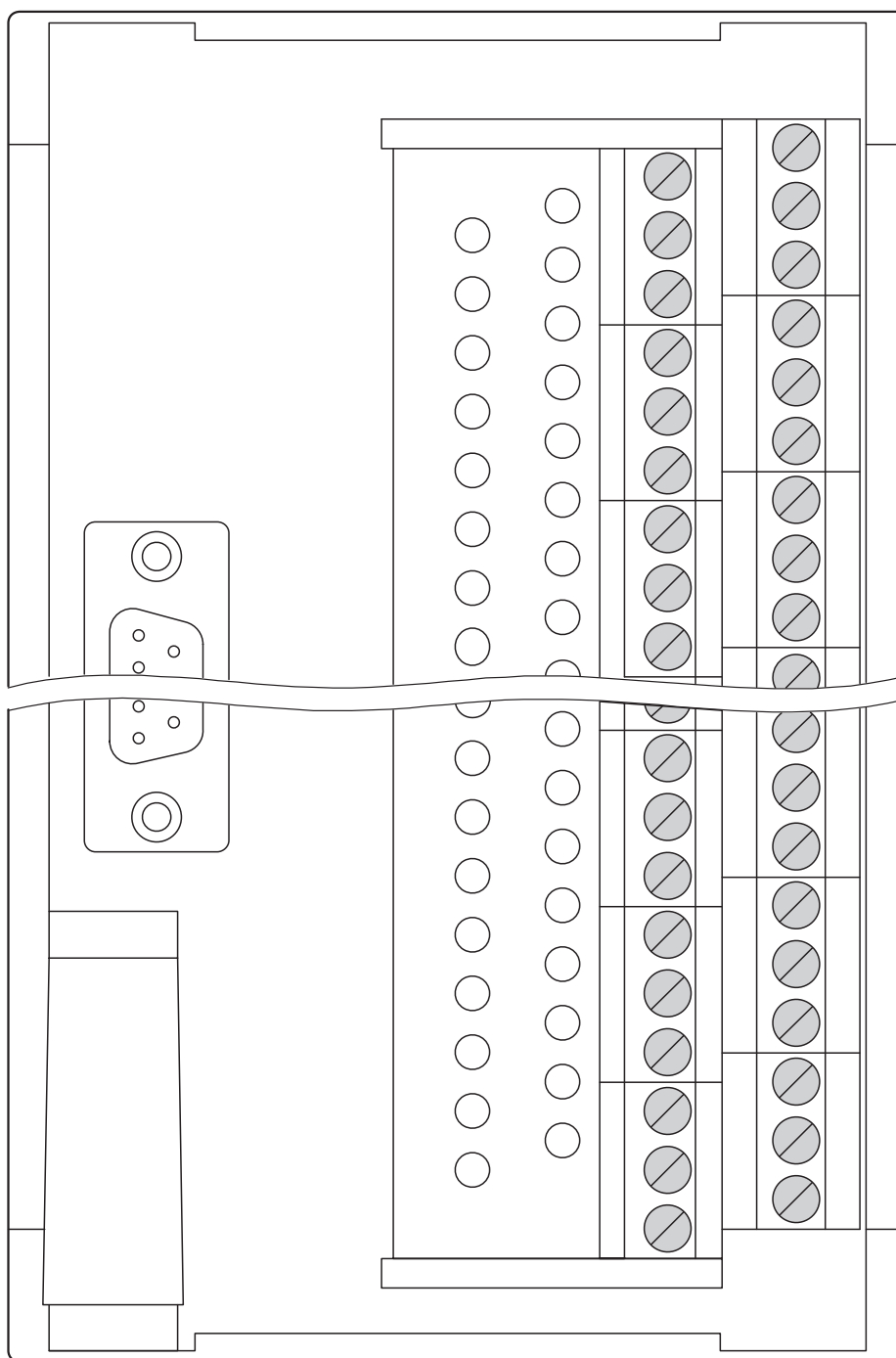


2281678

<https://www.phoenixcontact.com/us/products/2281678>

## Drawings

Schematic diagram



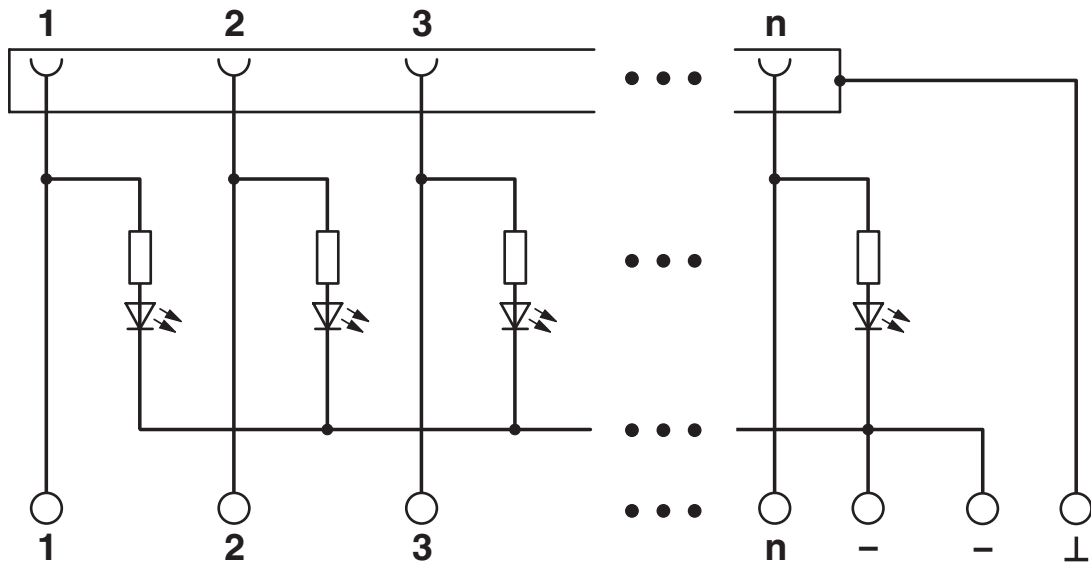
# FLKM-D 9 SUB/B/LA - Termination board



2281678

<https://www.phoenixcontact.com/us/products/2281678>

Circuit diagram



# FLKM-D 9 SUB/B/LA - Termination board



2281678

<https://www.phoenixcontact.com/us/products/2281678>

## Classifications

### ECLASS

ECLASS-13.0	27141152
ECLASS-15.0	27141152

### ETIM

ETIM 10.0	EC002780
-----------	----------

### UNSPSC

UNSPSC 21.0	39121400
-------------	----------

# FLKM-D 9 SUB/B/LA - Termination board



2281678

<https://www.phoenixcontact.com/us/products/2281678>

## Environmental product compliance

### EU RoHS

Fulfills EU RoHS substance requirements	Yes
Exemption	7(c)-I

### China RoHS

Environment friendly use period (EFUP)	EFUP-50
	An article-related China RoHS declaration table can be found in the download area for the respective article under "Manufacturer declaration". For all articles with EFUP-E, no China RoHS declaration table issued and required.

### EU REACH SVHC

REACH candidate substance (CAS No.)	No substance above 0.1 wt%
-------------------------------------	----------------------------

Phoenix Contact 2026 © - all rights reserved  
<https://www.phoenixcontact.com>

Phoenix Contact USA  
586 Fulling Mill Road  
Middletown, PA 17057, United States  
(+717) 944-1300  
[info@phoenixcon.com](mailto:info@phoenixcon.com)