

FLKM-D50 SUB/S/LA - Termination board



2281665

<https://www.phoenixcontact.com/us/products/2281665>

Please be informed that the data shown in this PDF document is generated from our online catalog. Please find the complete data in the user documentation. Our general terms of use for downloads are valid.



VARIOFACE module, with screw connection and D-Subminiature pin strip, for mounting on NS 35/7.5 or NS 32, with light indicator, 50-pos.

The figure shows version FLKM-D37
SUB/B/LA

Commercial data

Item number	2281665
Packing unit	1 pc
Note	Made to order (non-returnable)
Sales key	C422
Product key	DK2182
GTIN	4017918054915
Weight per piece (including packing)	371.4 g
Weight per piece (excluding packing)	307.58 g
Customs tariff number	85369010
Country of origin	DE

FLKM-D50 SUB/S/LA - Termination board



2281665

<https://www.phoenixcontact.com/us/products/2281665>

Technical data

Product properties

Product type	Interface module
Product family	VARIOFACE
Number of positions	50

Insulation characteristics

Overvoltage category	II
Pollution degree	2

Electrical properties

Nominal voltage U_N	24 V DC
Max. current carrying capacity per branch	0.5 A

Connection data

Field level

Connection in acc. with standard	IEC / EN
Connection method	Screw connection
Stripping length	8 mm
Screw thread	M3
Conductor cross-section rigid	0.2 mm ² ... 4 mm ²
Conductor cross-section flexible	0.2 mm ² ... 2.5 mm ²
Conductor cross-section AWG	24 ... 12

Controller level

Connection method	D-SUB pin strip
Number of positions	50

Signaling

Status display	LED
Status display present	yes

Dimensions

Item dimensions

Width	157.5 mm
Height	58.5 mm
Depth	77 mm

Material specifications

Color	green (RAL 6021)
Housing insulation material	Polyamide 6 green

Environmental and real-life conditions

FLKM-D50 SUB/S/LA - Termination board



2281665

<https://www.phoenixcontact.com/us/products/2281665>

Ambient conditions

Ambient temperature (operation)	-20 °C ... 45 °C
Ambient temperature (storage/transport)	-20 °C ... 70 °C

Standards and regulations

Standards/regulations	IEC 60664
	DIN EN 50178

Mounting

Mounting position	any
-------------------	-----

Notes

Notes on operation	For proper use, the specifications of the installation directive (see Downloads) must be observed. For applications or use with third-party products, the specifications, and the safety and warning instructions of the respective third-party manufacturer must also be met.
--------------------	--

FLKM-D50 SUB/S/LA - Termination board

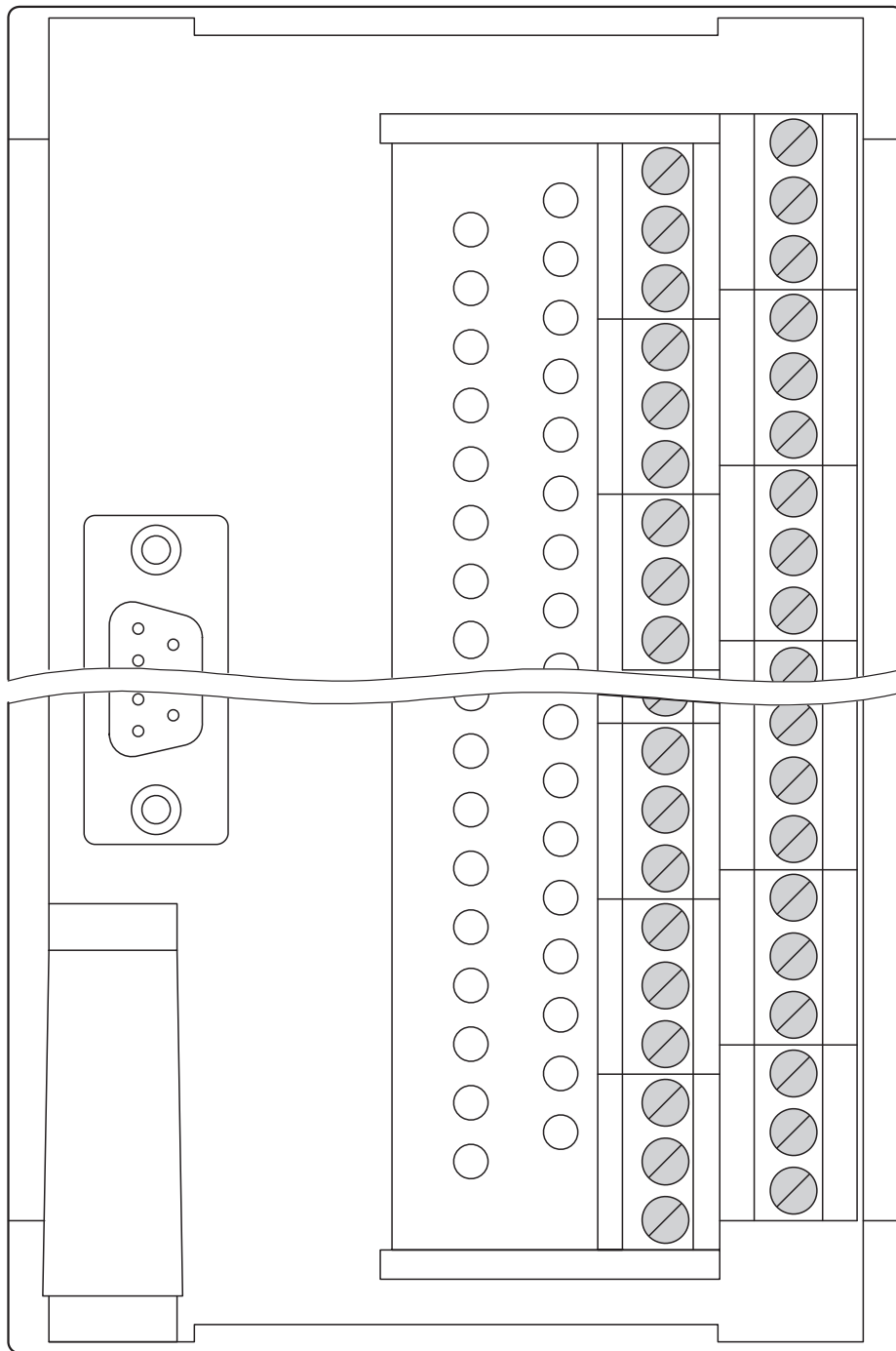


2281665

<https://www.phoenixcontact.com/us/products/2281665>

Drawings

Schematic diagram



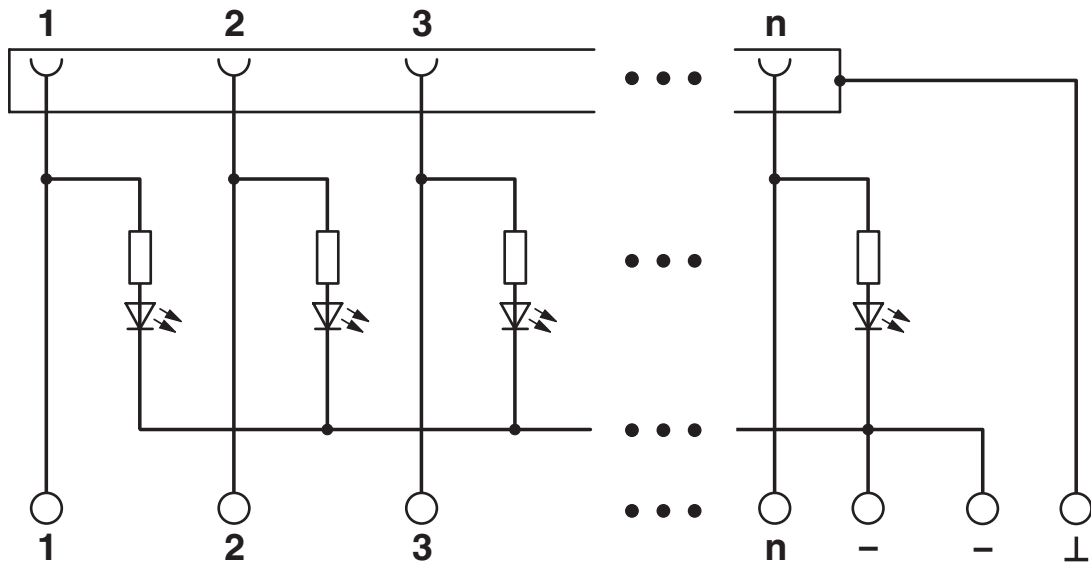
FLKM-D50 SUB/S/LA - Termination board



2281665

<https://www.phoenixcontact.com/us/products/2281665>

Circuit diagram



FLKM-D50 SUB/S/LA - Termination board



2281665

<https://www.phoenixcontact.com/us/products/2281665>

Environmental product compliance

EU REACH SVHC

REACH candidate substance (CAS No.)	
-------------------------------------	--

	No substance above 0.1 wt%
--	----------------------------

Phoenix Contact 2026 © - all rights reserved

<https://www.phoenixcontact.com>

Phoenix Contact USA
586 Fulling Mill Road
Middletown, PA 17057, United States
(+717) 944-1300
info@phoenixcon.com