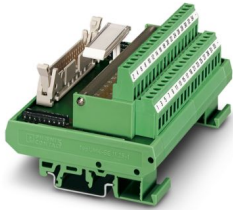


# FLKM 64/LA - Termination board

2281539

<https://www.phoenixcontact.com/us/products/2281539>

Please be informed that the data shown in this PDF document is generated from our online catalog. Please find the complete data in the user documentation. Our general terms of use for downloads are valid.



VARIOFACE module, with screw connection and flat-ribbon cable connector, for mounting on NS 32 or NS 35/7.5, with pin strip and short and long locking latches for socket strips, 64-pos., with light indicator

The figure shows a 34-position version

## Commercial data

Item number	2281539
Packing unit	1 pc
Note	Made to order (non-returnable)
Sales key	NULL
Product key	DK2181
GTIN	4017918054786
Weight per piece (including packing)	449.3 g
Weight per piece (excluding packing)	356.62 g
Customs tariff number	85369010
Country of origin	DE

# FLKM 64/LA - Termination board



2281539

<https://www.phoenixcontact.com/us/products/2281539>

## Technical data

### Product properties

Product type	Interface module
Product family	VARIOFACE
Number of positions	64

### Insulation characteristics

Overvoltage category	II
Pollution degree	2

### Electrical properties

Nominal voltage $U_N$	24 V DC
Max. current carrying capacity per branch	1 A

### Connection data

#### Field level

Connection in acc. with standard	IEC / EN
Connection method	Screw connection
Stripping length	8 mm
Screw thread	M3
Conductor cross-section rigid	0.2 mm <sup>2</sup> ... 4 mm <sup>2</sup>
Conductor cross-section flexible	0.2 mm <sup>2</sup> ... 2.5 mm <sup>2</sup>
Conductor cross-section AWG	24 ... 12

#### Controller level

Connection method	IDC/FLK pin strip
Number of positions	64
Pitch	2.54 mm

### Signaling

Status display	LED
Status display present	yes

### Dimensions

#### Item dimensions

Width	180 mm
Height	58.5 mm
Depth	77 mm

### Material specifications

Color	green (RAL 6021)
Housing insulation material	Polyamide 6.6 green

# FLKM 64/LA - Termination board



2281539

<https://www.phoenixcontact.com/us/products/2281539>

## Environmental and real-life conditions

### Ambient conditions

Ambient temperature (operation)	-20 °C ... 50 °C
Ambient temperature (storage/transport)	-20 °C ... 70 °C

## Standards and regulations

Standards/regulations	IEC 60664
	DIN EN 50178

## Mounting

Mounting position	any
-------------------	-----

## Notes

Notes on operation	For proper use, the specifications of the installation directive (see Downloads) must be observed. For applications or use with third-party products, the specifications, and the safety and warning instructions of the respective third-party manufacturer must also be met.
--------------------	--

# FLKM 64/LA - Termination board

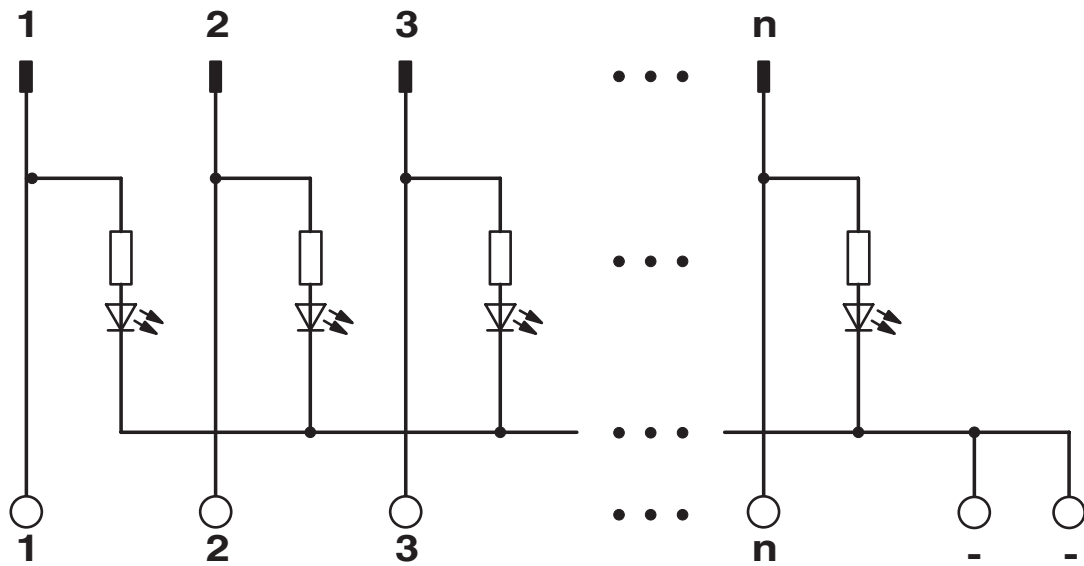
2281539

<https://www.phoenixcontact.com/us/products/2281539>



## Drawings

Circuit diagram



# FLKM 64/LA - Termination board

2281539

<https://www.phoenixcontact.com/us/products/2281539>



## Environmental product compliance

EU REACH SVHC

REACH candidate substance (CAS No.)	
-------------------------------------	--

	No substance above 0.1 wt%
--	----------------------------

Phoenix Contact 2026 © - all rights reserved

<https://www.phoenixcontact.com>

Phoenix Contact USA  
586 Fulling Mill Road  
Middletown, PA 17057, United States  
(+717) 944-1300  
[info@phoenixcon.com](mailto:info@phoenixcon.com)