

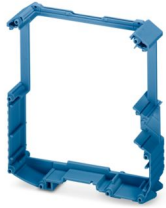
ME MAX 45 MT G U-U1 BU - Intermediate element



2279389

<https://www.phoenixcontact.com/us/products/2279389>

Please be informed that the data shown in this PDF document is generated from our online catalog. Please find the complete data in the user documentation. Our general terms of use for downloads are valid.



DIN rail housing, Intermediate element, tall design, without vents, width: 22.6 mm, height: 99 mm, depth: 112.85 mm, color: blue (similar RAL 5015), cross connection: without bus connector

Your advantages

- Easy installation
- Variety of connection technology
- Can be mounted on the DIN rail

Commercial data

Item number	2279389
Packing unit	50 pc
Minimum order quantity	250 pc
Note	Made to order (non-returnable)
Product key	ACHABZ
GTIN	4046356306409
Weight per piece (including packing)	24.788 g
Weight per piece (excluding packing)	23.05 g
Country of origin	DE

ME MAX 45 MT G U-U1 BU - Intermediate element



2279389

<https://www.phoenixcontact.com/us/products/2279389>

Technical data

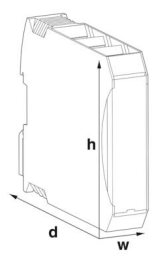
Notes

Assembly note	Please observe the application note in the download area.
Recommendation	Material of contact pads for bus connector, galvanic gold (hard gold)

Product properties

Product type	Complete housing center part
Housing type	DIN rail housing
Housing type	Modular housings
Housing series	ME-MAX
Product family	ME MAX 45..
Number of rows	1
Number (Connection openings)	1
Ventilation openings present	no
Anzahl der Etagen Housing (Makro)	0 (Top) / 1 (Bottom)

Dimensions

Dimensional drawing	
Width	22.6 mm
Height	99 mm
Depth	112.85 mm
Depth from top edge of DIN rail	107 mm

Material specifications

Color (Intermediate element)	blue (RAL 5015)
Material Intermediate element	PA
Flammability rating according to UL 94	V0
CTI according to IEC 60112	600

Environmental and real-life conditions

Ambient conditions

Max. IP code to attain	IP20
Ambient temperature (operation)	-40 °C ... 105 °C (depending on power dissipation)
Ambient temperature (storage/transport)	-40 °C ... 55 °C

ME MAX 45 MT G U-U1 BU - Intermediate element



2279389

<https://www.phoenixcontact.com/us/products/2279389>

Ambient temperature (assembly)	-5 °C ... 100 °C
Relative humidity (storage/transport)	80 %

PCB data

Type of PCB mount	Latching
-------------------	----------

Mounting

Mounting type	Latching with housing half-shell or intermediate element
---------------	--

Packaging specifications

Type of packaging	packed in cardboard
Outer packaging type	Carton

ME MAX 45 MT G U-U1 BU - Intermediate element

2279389

<https://www.phoenixcontact.com/us/products/2279389>



Drawings

Dimensional drawing



Schematic figure for illustrating the item dimensions. The figure is not of the desired product. For further details, refer to the product drawings in the "Downloads" tab.

ME MAX 45 MT G U-U1 BU - Intermediate element



2279389

<https://www.phoenixcontact.com/us/products/2279389>

Approvals

To download certificates, visit the product detail page: <https://www.phoenixcontact.com/us/products/2279389>



UL Recognized

Approval ID: E240868

ME MAX 45 MT G U-U1 BU - Intermediate element



2279389

<https://www.phoenixcontact.com/us/products/2279389>

Classifications

ECLASS

ECLASS-13.0	27190604
ECLASS-15.0	27190604

ETIM

ETIM 10.0	EC002779
-----------	----------

UNSPSC

UNSPSC 21.0	31261500
-------------	----------

ME MAX 45 MT G U-U1 BU - Intermediate element



2279389

<https://www.phoenixcontact.com/us/products/2279389>

Environmental product compliance

EU RoHS

Fulfills EU RoHS substance requirements	Yes, No exemptions
---	--------------------

China RoHS

Environment friendly use period (EFUP)	EFUP-E
	No hazardous substances above the limits

EU REACH SVHC

REACH candidate substance (CAS No.)	No substance above 0.1 wt%
-------------------------------------	----------------------------

EF3.1 Climate Change

CO2e kg	0.137 kg CO2e
---------	---------------

Phoenix Contact 2026 © - all rights reserved
<https://www.phoenixcontact.com>

Phoenix Contact USA
586 Fulling Mill Road
Middletown, PA 17057, United States
(+717) 944-1300
info@phoenixcon.com