

ME MAX 45 MT G U-U1 KMGY - Intermediate element



2279295

<https://www.phoenixcontact.com/us/products/2279295>

Please be informed that the data shown in this PDF document is generated from our online catalog. Please find the complete data in the user documentation. Our general terms of use for downloads are valid.



DIN rail housing, Intermediate element, tall design, without vents, width: 22.6 mm, height: 99 mm, depth: 112.85 mm, color: light gray (similar RAL 7035), cross connection: without bus connector

Your advantages

- Easy installation
- Variety of connection technology
- Can be mounted on the DIN rail

Commercial data

| | |
|--------------------------------------|--------------------------------|
| Item number | 2279295 |
| Packing unit | 10 pc |
| Minimum order quantity | 10 pc |
| Note | Made to order (non-returnable) |
| Product key | ACHABZ |
| GTIN | 4046356286305 |
| Weight per piece (including packing) | 27.27 g |
| Weight per piece (excluding packing) | 17.67 g |
| Country of origin | DE |

Technical data

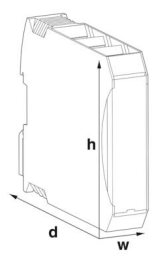
Notes

| | |
|----------------|---|
| Assembly note | Please observe the application note in the download area. |
| Recommendation | Material of contact pads for bus connector, galvanic gold (hard gold) |

Product properties

| | |
|-----------------------------------|------------------------------|
| Product type | Complete housing center part |
| Housing type | DIN rail housing |
| Housing type | Modular housings |
| Housing series | ME-MAX |
| Product family | ME MAX 45.. |
| Number of rows | 1 |
| Number (Connection openings) | 1 |
| Ventilation openings present | no |
| Anzahl der Etagen Housing (Makro) | 0 (Top) / 1 (Bottom) |

Dimensions

| | |
|---------------------------------|---|
| Dimensional drawing |  |
| Width | 22.6 mm |
| Height | 99 mm |
| Depth | 112.85 mm |
| Depth from top edge of DIN rail | 107 mm |

Material specifications

| | |
|--|-----------------------|
| Color (Housing) | light gray (RAL 7035) |
| Material Housing | PA |
| Flammability rating according to UL 94 | V0 |
| CTI according to IEC 60112 | 600 |

Environmental and real-life conditions

Ambient conditions

| | |
|---|--|
| Max. IP code to attain | IP20 |
| Ambient temperature (operation) | -40 °C ... 105 °C (depending on power dissipation) |
| Ambient temperature (storage/transport) | -40 °C ... 55 °C |

ME MAX 45 MT G U-U1 KMGY - Intermediate element



2279295

<https://www.phoenixcontact.com/us/products/2279295>

| | |
|---------------------------------------|------------------|
| Ambient temperature (assembly) | -5 °C ... 100 °C |
| Relative humidity (storage/transport) | 80 % |

PCB data

| | |
|-------------------|----------|
| Type of PCB mount | Latching |
|-------------------|----------|

Mounting

| | |
|---------------|--|
| Mounting type | Latching with housing half-shell or intermediate element |
|---------------|--|

Packaging specifications

| | |
|----------------------|---------------------|
| Type of packaging | packed in cardboard |
| Outer packaging type | Carton |

Drawings

Dimensional drawing



Schematic figure for illustrating the item dimensions. The figure is not of the desired product. For further details, refer to the product drawings in the "Downloads" tab.

2279295

<https://www.phoenixcontact.com/us/products/2279295>

Classifications

ECLASS

| | |
|-------------|----------|
| ECLASS-13.0 | 27190604 |
| ECLASS-15.0 | 27190604 |

ETIM

| | |
|----------|----------|
| ETIM 9.0 | EC002779 |
|----------|----------|

UNSPSC

| | |
|-------------|----------|
| UNSPSC 21.0 | 31261500 |
|-------------|----------|

2279295

<https://www.phoenixcontact.com/us/products/2279295>

Environmental product compliance

EU RoHS

| | |
|---|--------------------|
| Fulfills EU RoHS substance requirements | Yes, No exemptions |
|---|--------------------|

China RoHS

| | |
|--|--|
| Environment friendly use period (EFUP) | EFUP-E |
| | No hazardous substances above the limits |

EU REACH SVHC

| | |
|-------------------------------------|----------------------------|
| REACH candidate substance (CAS No.) | No substance above 0.1 wt% |
|-------------------------------------|----------------------------|

EF3.1 Climate Change

| | |
|---------|---------------|
| CO2e kg | 0.146 kg CO2e |
|---------|---------------|

Phoenix Contact 2026 © - all rights reserved
<https://www.phoenixcontact.com>

Phoenix Contact USA
586 Fulling Mill Road
Middletown, PA 17057, United States
(+717) 944-1300
info@phoenixcon.com