

ME 22,5 OTP-MSTBO PS KMGY - Upper housing part



2279282

<https://www.phoenixcontact.com/us/products/2279282>

Please be informed that the data shown in this PDF document is generated from our online catalog. Please find the complete data in the user documentation. Our general terms of use for downloads are valid.

DIN rail housing, Upper housing part for connectors with header, width: 22.6 mm, height: 99 mm, depth: 45.85 mm, color: light gray (similar RAL 7035)



Your advantages

- Tool-free mounting
- Available in overall widths from 12.5 mm ... 90 mm, modular extension is possible
- Flammability rating V0 in accordance with UL 94
- Variety of connection technology
- Can be mounted on the DIN rail
- With integrated or DIN-rail-mountable bus connector as an option

Commercial data

| | |
|--------------------------------------|---------------|
| Item number | 2279282 |
| Packing unit | 10 pc |
| Minimum order quantity | 10 pc |
| Sales key | AC08 |
| Product key | ACHAAD |
| GTIN | 4046356299534 |
| Weight per piece (including packing) | 11.724 g |
| Weight per piece (excluding packing) | 7.73 g |
| Customs tariff number | 85389099 |
| Country of origin | DE |

2279282

<https://www.phoenixcontact.com/us/products/2279282>

Technical data

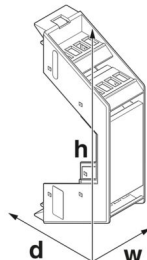
Notes

| | |
|---------------|---|
| Assembly note | Please observe the application note in the download area. |
|---------------|---|

Product properties

| | |
|-----------------------------------|---------------------|
| Product type | Upper housing part |
| Housing type | DIN rail housing |
| Housing type | Modular housings |
| Housing series | ME |
| Product family | ME 22,5.. |
| Max. number of positions | 20 (pitch: 3.5 mm) |
| | 16 (pitch: 5 mm) |
| | 12 (pitch: 7.25 mm) |
| Number of rows | 2 |
| Number (Connection openings) | 4 |
| Ventilation openings present | no |
| Anzahl der Etagen Housing (Makro) | 2 (Both sides) |

Dimensions

| | |
|---------------------------------|--|
| Dimensional drawing |  |
| Width | 22.6 mm |
| Height | 99 mm |
| Depth | 45.85 mm |
| Depth from base support surface | 38.5 mm |

PCB design

| | |
|---------------|-------------------|
| PCB thickness | 1.4 mm ... 1.8 mm |
|---------------|-------------------|

Material specifications

| | |
|--|-----------------------|
| Color (Upper housing part) | light gray (RAL 7035) |
| Material Upper housing part | PA |
| Flammability rating according to UL 94 | V0 |
| CTI according to IEC 60112 | 600 |

Environmental and real-life conditions

ME 22,5 OTP-MSTBO PS KMGY - Upper housing part



2279282

<https://www.phoenixcontact.com/us/products/2279282>

Vibration test

| | |
|------------------------|-----------------------------|
| Specification | IEC 60068-2-6:2007-12 |
| Frequency | 10 - 150 - 10 Hz |
| Sweep speed | 1 octave/min |
| Amplitude | 0.15 mm (10 Hz ... 58.1 Hz) |
| Acceleration | 2g (58.1 Hz ... 150 Hz) |
| Test duration per axis | 2.5 h |
| Test directions | X-, Y- and Z-axis |

Glow-wire test

| | |
|------------------|------------------------|
| Specification | IEC 60695-2-11:2014-02 |
| Temperature | 850 °C |
| Time of exposure | 30 s |

Thermal stability / ball thrust test

| | |
|---------------|------------------------|
| Specification | IEC 60695-10-2:2014-02 |
| Temperature | 125 °C |
| Test duration | 1 h |
| Force | 20 N |

Mechanical strength / tumbling barrel

| | |
|----------------|---------------------|
| Specification | IEC 60998-1:2002-12 |
| Height of fall | 50 cm |
| Frequency | 10 |

Shocks

| | |
|--------------------------------|-----------------------------------|
| Specification | IEC 60068-2-27:2008-02 |
| Pulse shape | Half-sine |
| Acceleration | 15g |
| Shock duration | 11 ms |
| Number of shocks per direction | 3 |
| Test directions | X-, Y- and Z-axis (pos. and neg.) |

Degree of protection (IP code)

| | |
|---------------|---|
| Specification | IEC 60529:1989-11 + AMD 1:1999-11 + AMD 2:2013-08 |
|---------------|---|

Ambient conditions

| | |
|---|--|
| Max. IP code to attain | IP20 |
| Ambient temperature (operation) | -40 °C ... 105 °C (depending on power dissipation) |
| Ambient temperature (storage/transport) | -40 °C ... 55 °C |
| Ambient temperature (assembly) | -5 °C ... 100 °C |
| Relative humidity (storage/transport) | 80 % |

PCB data

| | |
|-----------------------|------|
| Number of PCB holders | 1 |
| Type of PCB mount | Slot |

ME 22,5 OTP-MSTBO PS KMGY - Upper housing part



2279282

<https://www.phoenixcontact.com/us/products/2279282>

| | |
|----------------------|-------------------|
| Thickness of the PCB | 1.4 mm ... 1.8 mm |
|----------------------|-------------------|

Mounting

| | |
|---------------|----------------------------------|
| Mounting type | Latching with lower housing part |
|---------------|----------------------------------|

Packaging specifications

| | |
|----------------------|---------------------|
| Type of packaging | packed in cardboard |
| Outer packaging type | Carton |

ME 22,5 OTP-MSTBO PS KMGY - Upper housing part

2279282

<https://www.phoenixcontact.com/us/products/2279282>

Drawings

Dimensional drawing



Schematic figure for illustrating the item dimensions. The figure is not of the desired product. For further details, refer to the product drawings in the "Downloads" tab.

ME 22,5 OTP-MSTBO PS KMGY - Upper housing part



2279282

<https://www.phoenixcontact.com/us/products/2279282>

Approvals

To download certificates, visit the product detail page: <https://www.phoenixcontact.com/us/products/2279282>



UL Recognized

Approval ID: E240868

ME 22,5 OTP-MSTBO PS KMGY - Upper housing part



2279282

<https://www.phoenixcontact.com/us/products/2279282>

Classifications

ECLASS

| | |
|-------------|----------|
| ECLASS-13.0 | 27190603 |
| ECLASS-15.0 | 27190603 |

ETIM

| | |
|-----------|----------|
| ETIM 10.0 | EC002779 |
|-----------|----------|

UNSPSC

| | |
|-------------|----------|
| UNSPSC 21.0 | 31261500 |
|-------------|----------|

2279282

<https://www.phoenixcontact.com/us/products/2279282>

Environmental product compliance

EU RoHS

| | |
|---|--------------------|
| Fulfills EU RoHS substance requirements | Yes, No exemptions |
|---|--------------------|

China RoHS

| | |
|--|--|
| Environment friendly use period (EFUP) | EFUP-E |
| | No hazardous substances above the limits |

EU REACH SVHC

| | |
|-------------------------------------|----------------------------|
| REACH candidate substance (CAS No.) | No substance above 0.1 wt% |
|-------------------------------------|----------------------------|

EF3.1 Climate Change

| | |
|---------|---------------|
| CO2e kg | 0.076 kg CO2e |
|---------|---------------|

Phoenix Contact 2026 © - all rights reserved
<https://www.phoenixcontact.com>

Phoenix Contact USA
586 Fulling Mill Road
Middletown, PA 17057, United States
(+717) 944-1300
info@phoenixcon.com