

ME MAX 17,5 SF G 2-2 BK - Electronics housing



2279208

<https://www.phoenixcontact.com/us/products/2279208>

Please be informed that the data shown in this PDF document is generated from our online catalog. Please find the complete data in the user documentation. Our general terms of use for downloads are valid.



The figure shows a version with components mounted

DIN rail housing, Complete housing with metal foot catch, ultra-flat design, without vents, width: 17.6 mm, height: 85 mm, depth: 69.55 mm, color: black (similar RAL 9005), cross connection: DIN rail bus connector (optional), number of positions cross connector: 5

Your advantages

- Can be mounted on the DIN rail
- With DIN-rail-mountable bus connector and power connector system as an option

Commercial data

Item number	2279208
Packing unit	10 pc
Minimum order quantity	10 pc
Note	Made to order (non-returnable)
Sales key	AC08
Product key	ACHABA
GTIN	4046356284837
Weight per piece (including packing)	34.1 g
Weight per piece (excluding packing)	30.5 g
Customs tariff number	85389099
Country of origin	DE

ME MAX 17,5 SF G 2-2 BK - Electronics housing



2279208

<https://www.phoenixcontact.com/us/products/2279208>

Technical data

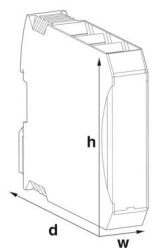
Notes

Assembly note	Please observe the application note in the download area.
Recommendation	Material of contact pads for bus connector, galvanic gold (hard gold)

Product properties

Product type	Complete housing
Housing type	DIN rail housing
Housing series	ME-MAX
Product family	ME MAX.. G 2-2
Number of positions	8 16
Max. number of positions	16 (pitch: 3.5 mm) 12 (pitch: 5 mm) 8 (pitch: 7.25 mm/7.5 mm)
Number of rows	2
Ventilation openings present	no
Anzahl der Etagen Housing (Makro)	2 (Both sides)

Dimensions

Dimensional drawing	
Width	17.6 mm
Height	85 mm
Depth	69.55 mm
Depth from top edge of DIN rail	62.9 mm

PCB design

PCB thickness	1.4 mm ... 1.8 mm
---------------	-------------------

Material specifications

Color	black (RAL 9005)
Flammability rating according to UL 94	V0
CTI according to IEC 60112	600
Housing material	PA

Environmental and real-life conditions

Power dissipation single housing for 20 °C

Ambient temperature	20 °C
Reduction factor	1
Mounting position	vertical

Power dissipation single housing for 30 °C

Ambient temperature	30 °C
Reduction factor	0.91
Mounting position	vertical

Power dissipation single housing for 40 °C

Ambient temperature	40 °C
Reduction factor	0.81
Mounting position	vertical

Power dissipation single housing for 50 °C

Ambient temperature	50 °C
Reduction factor	0.72
Mounting position	vertical

Power dissipation single housing for 60 °C

Ambient temperature	60 °C
Reduction factor	0.63
Mounting position	vertical

Power dissipation single housing for 70 °C

Ambient temperature	70 °C
Reduction factor	0.5
Mounting position	vertical

Ambient conditions

Max. IP code to attain	IP20
Ambient temperature (operation)	-40 °C ... 105 °C (depending on power dissipation)
Ambient temperature (storage/transport)	-40 °C ... 55 °C
Ambient temperature (assembly)	-5 °C ... 100 °C
Relative humidity (storage/transport)	80 %

PCB data

Number of PCB holders	1
Type of PCB mount	Latching
Thickness of the PCB	1.4 mm ... 1.8 mm

Mounting

Mounting type	DIN rail mounting
---------------	-------------------

ME MAX 17,5 SF G 2-2 BK - Electronics housing



2279208

<https://www.phoenixcontact.com/us/products/2279208>

Packaging specifications

Type of packaging	packed in cardboard
Outer packaging type	Carton

Drawings

Dimensional drawing



Schematic figure for illustrating the item dimensions. The figure is not of the desired product. For further details, refer to the product drawings in the "Downloads" tab.

ME MAX 17,5 SF G 2-2 BK - Electronics housing



2279208

<https://www.phoenixcontact.com/us/products/2279208>

Classifications

UNSPSC

UNSPSC 21.0	31261501
-------------	----------

ME MAX 17,5 SF G 2-2 BK - Electronics housing



2279208

<https://www.phoenixcontact.com/us/products/2279208>

Environmental product compliance

EU RoHS

Fulfills EU RoHS substance requirements	Yes, No exemptions
---	--------------------

China RoHS

Environment friendly use period (EFUP)	EFUP-E
	No hazardous substances above the limits

EU REACH SVHC

REACH candidate substance (CAS No.)	No substance above 0.1 wt%
-------------------------------------	----------------------------

Phoenix Contact 2026 © - all rights reserved
<https://www.phoenixcontact.com>

Phoenix Contact USA
586 Fulling Mill Road
Middletown, PA 17057, United States
(+717) 944-1300
info@phoenixcon.com