

# PACT MCR-V2-6040- 96-1000-5A-1 - Current transformer



2277705

<https://www.phoenixcontact.com/us/products/2277705>

Please be informed that the data shown in this PDF document is generated from our online catalog. Please find the complete data in the user documentation. Our general terms of use for downloads are valid.



Window-type current transformer, 1000 A AC primary current; 5 A AC secondary current; accuracy class 1; 10 VA rated power

## Your advantages

- Primary rated current I<sub>pn</sub>: 0 ... (200 ... 2000) A
- Rail dimensions: 60 x 40 mm; 50 x 50 mm

## Commercial data

Item number	2277705
Packing unit	1 pc
Note	Made to order (non-returnable)
Sales key	C444
Product key	CMMA11
GTIN	4046356460170
Weight per piece (including packing)	387.1 g
Weight per piece (excluding packing)	387.1 g
Customs tariff number	85043129
Country of origin	DE

# PACT MCR-V2-6040- 96-1000-5A-1 - Current transformer



2277705

<https://www.phoenixcontact.com/us/products/2277705>

## Technical data

### Product properties

Product type	Current transformer
Product family	Window-type current transformer

### Electrical properties

Rated insulation voltage	1 kV (Phase/neutral conductor)
--------------------------	--------------------------------

### General

Can be calibrated	no
Converter type	Window-type current transformer

### Input data

#### Current transformer

Rated power	10 VA
Thermal rated short-time current	$I_{th} = 60 * I_n$
Thermal rated continuous current	$I_d = 1.2 * I_n$
Rated surge current	$I_{dyn} = 2.5 * I_{th}$
Rated frequency $f_n$	50 Hz 60 Hz
Primary rated current $I_{pn}$	0 A ... 1000 A
Can be calibrated	no
Converter type	Window-type current transformer

### Output data

#### Signal

Secondary rated current $I_{sn}$	5 A AC
Surge current limitation factor	FS 5
Accuracy class	1

### Connection data

Connection method	Screw connection
Conductor cross-section flexible	2x 2.5 mm <sup>2</sup> ... 4 mm <sup>2</sup> (Secondary terminals)

### Dimensions

#### Item dimensions

Width	30 mm
Height	121 mm
Depth	96 mm

#### Item dimensions with alternative mounting

Width	96 mm
-------	-------

# PACT MCR-V2-6040- 96-1000-5A-1 - Current transformer



2277705

<https://www.phoenixcontact.com/us/products/2277705>

Height	121 mm
Depth	30 mm

## Copper rail

Width	60 mm
Height	40 mm

## Copper rail 2

Width	50 mm
Height	50 mm

## Circular conductor

Diameter	61 mm
----------	-------

## Material specifications

Color	black (RAL 9005)
Housing material	PA 6.6

## Environmental and real-life conditions

### Ambient conditions

Ambient temperature (operation)	-25 °C ... 40 °C
Ambient temperature (storage/transport)	-25 °C ... 40 °C
Permissible humidity (operation)	Use only indoors, non-condensing
Insulating material class	E

## Standards and regulations

Standards/regulations	EN 50178
	EN 61869

## Mounting

Mounting type	DIN rail mounting
---------------	-------------------

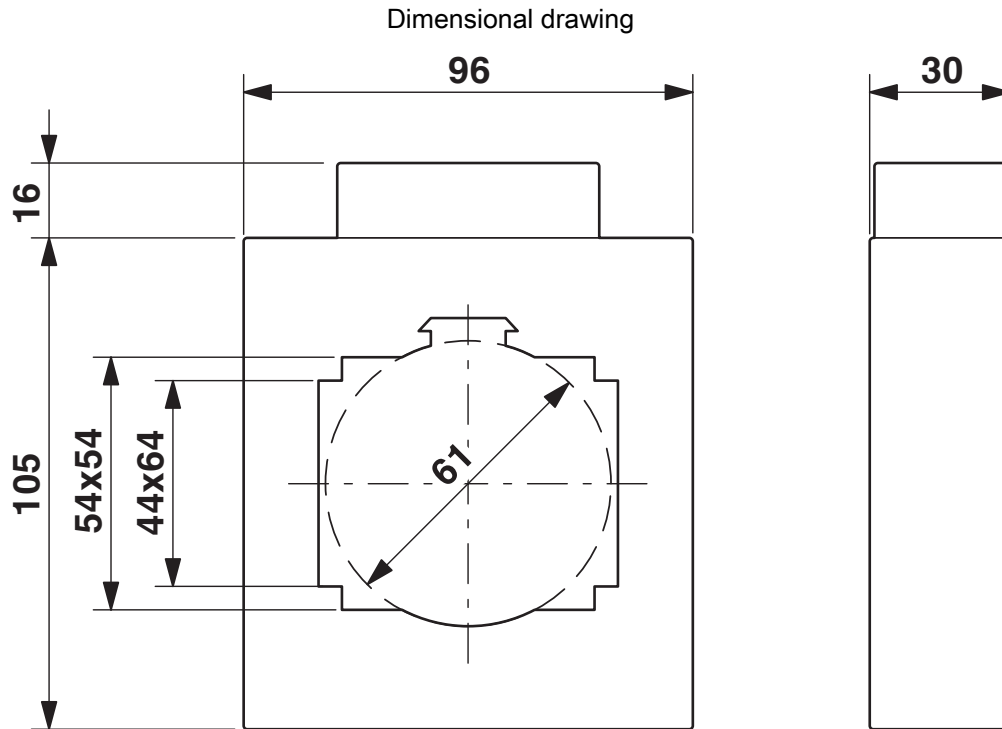
# PACT MCR-V2-6040- 96-1000-5A-1 - Current transformer



2277705

<https://www.phoenixcontact.com/us/products/2277705>

## Drawings



# PACT MCR-V2-6040- 96-1000-5A-1 - Current transformer



2277705

<https://www.phoenixcontact.com/us/products/2277705>

## Environmental product compliance

### EU RoHS

Fulfills EU RoHS substance requirements	Yes, No exemptions
---	--------------------

### China RoHS

Environment friendly use period (EFUP)	EFUP-50
	An article-related China RoHS declaration table can be found in the download area for the respective article under "Manufacturer declaration". For all articles with EFUP-E, no China RoHS declaration table issued and required.

### EU REACH SVHC

REACH candidate substance (CAS No.)	No substance above 0.1 wt%
-------------------------------------	----------------------------

Phoenix Contact 2026 © - all rights reserved

<https://www.phoenixcontact.com>

Phoenix Contact USA  
586 Fulling Mill Road  
Middletown, PA 17057, United States  
(+717) 944-1300  
[info@phoenixcon.com](mailto:info@phoenixcon.com)