

# PACT MCR-V2-5012- 85- 600-5A-1 - Current transformer



2277174

<https://www.phoenixcontact.com/us/products/2277174>

Please be informed that the data shown in this PDF document is generated from our online catalog. Please find the complete data in the user documentation. Our general terms of use for downloads are valid.



Window-type current transformer, 600 A AC primary current; 5 A AC secondary current; accuracy class 1; 10 VA rated power

## Commercial data

|                                      |               |
|--------------------------------------|---------------|
| Item number                          | 2277174       |
| Packing unit                         | 1 pc          |
| Minimum order quantity               | 1 pc          |
| Sales key                            | C444          |
| Product key                          | CMMA11        |
| GTIN                                 | 4046356304610 |
| Weight per piece (including packing) | 429.6 g       |
| Weight per piece (excluding packing) | 361.7 g       |
| Customs tariff number                | 85043129      |
| Country of origin                    | DE            |

# PACT MCR-V2-5012- 85- 600-5A-1 - Current transformer



2277174

<https://www.phoenixcontact.com/us/products/2277174>

## Technical data

### Product properties

|                |                                 |
|----------------|---------------------------------|
| Product type   | Current transformer             |
| Product family | Window-type current transformer |

### Electrical properties

|                          |                                |
|--------------------------|--------------------------------|
| Rated insulation voltage | 1 kV (Phase/neutral conductor) |
|--------------------------|--------------------------------|

### General

|                   |                                 |
|-------------------|---------------------------------|
| Can be calibrated | no                              |
| Converter type    | Window-type current transformer |

### Input data

#### Current transformer

|                                  |                                 |
|----------------------------------|---------------------------------|
| Rated power                      | 10 VA                           |
| Thermal rated short-time current | $I_{th} = 60 * I_n$             |
| Thermal rated continuous current | $I_d = 1.2 * I_n$               |
| Rated surge current              | $I_{dyn} = 2.5 * I_{th}$        |
| Rated frequency $f_n$            | 50 Hz<br>60 Hz                  |
| Primary rated current $I_{pn}$   | 0 A AC ... 600 A AC             |
| Can be calibrated                | no                              |
| Converter type                   | Window-type current transformer |

### Output data

#### Signal

|                                  |                |
|----------------------------------|----------------|
| Designation                      | Current output |
| Secondary rated current $I_{sn}$ | 5 A AC         |
| Surge current limitation factor  | FS 5           |
| Accuracy class                   | 1              |

### Connection data

|                                  |  |
|----------------------------------|--|
| Connection method                | Screw connection   |
| Stripping length                 | 10 mm  |
| Conductor cross-section flexible | 2x 10 mm <sup>2</sup> ... 10 mm <sup>2</sup> (Secondary terminals) |
| Tightening torque                | 2 Nm ... 2 Nm  |

### Dimensions

#### Item dimensions

|        |        |
|--------|--------|
| Width  | 31 mm  |
| Height | 110 mm |
| Depth  | 85 mm  |

# PACT MCR-V2-5012- 85- 600-5A-1 - Current transformer



2277174

<https://www.phoenixcontact.com/us/products/2277174>

## Item dimensions with alternative mounting

|        |        |
|--------|--------|
| Width  | 85 mm  |
| Height | 110 mm |
| Depth  | 31 mm  |

## Copper rail

|        |       |
|--------|-------|
| Width  | 50 mm |
| Height | 12 mm |

## Copper rail 2

|        |       |
|--------|-------|
| Width  | 40 mm |
| Height | 10 mm |

## Circular conductor

|          |       |
|----------|-------|
| Diameter | 42 mm |
|----------|-------|

## Drill hole

|          |        |
|----------|--------|
| Diameter | 6.5 mm |
|----------|--------|

## Material specifications

|  |                 |
|--|-----------------|
| Color                                  | gray (RAL 7042) |
| Flammability rating according to UL 94 | V0 (Housing)    |
| Housing material                       | PA 6.6          |

## Environmental and real-life conditions

### Ambient conditions

|   |                                  |
|---|----------------------------------|
| Ambient temperature (operation)         | -25 °C ... 40 °C                 |
| Ambient temperature (storage/transport) | -25 °C ... 40 °C                 |
| Altitude                                | ≤ 1000 m                         |
| Permissible humidity (operation)        | Use only indoors, non-condensing |
| Insulating material class               | H                                |

## Approvals

### CE

|             |              |
|-------------|--------------|
| Certificate | CE-compliant |
|-------------|--------------|

### UKCA

|             |                |
|-------------|----------------|
| Certificate | UKCA-compliant |
|-------------|----------------|

### UL, USA/Canada

|                |               |
|----------------|---------------|
| Identification | XODW8.E323953 |
|----------------|---------------|

## Standards and regulations

|                       |          |
|-----------------------|----------|
| Standards/regulations | EN 61869 |
|-----------------------|----------|

## Mounting

# PACT MCR-V2-5012- 85- 600-5A-1 - Current transformer



2277174

<https://www.phoenixcontact.com/us/products/2277174>

|               |                   |
|---------------|-------------------|
| Mounting type | DIN rail mounting |
|               | Panel mounting    |

# PACT MCR-V2-5012- 85- 600-5A-1 - Current transformer

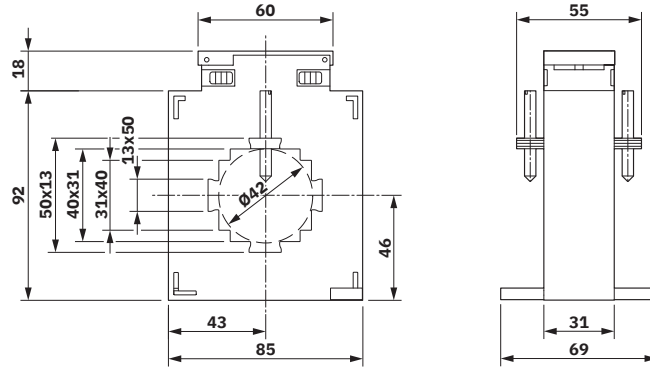


2277174

<https://www.phoenixcontact.com/us/products/2277174>

## Drawings

Dimensional drawing



# PACT MCR-V2-5012- 85- 600-5A-1 - Current transformer



2277174

<https://www.phoenixcontact.com/us/products/2277174>

## Approvals

To download certificates, visit the product detail page: <https://www.phoenixcontact.com/us/products/2277174>



**cULus Recognized**  
Approval ID: E323953

# PACT MCR-V2-5012- 85- 600-5A-1 - Current transformer



2277174

<https://www.phoenixcontact.com/us/products/2277174>

## Classifications

### ECLASS

|             |          |
|-------------|----------|
| ECLASS-13.0 | 27210902 |
| ECLASS-15.0 | 27210902 |

### ETIM

|           |          |
|-----------|----------|
| ETIM 10.0 | EC002048 |
|-----------|----------|

### UNSPSC

|             |          |
|-------------|----------|
| UNSPSC 21.0 | 39121000 |
|-------------|----------|

# PACT MCR-V2-5012- 85- 600-5A-1 - Current transformer



2277174

<https://www.phoenixcontact.com/us/products/2277174>

## Environmental product compliance

### EU RoHS

|   |                    |
|---|--------------------|
| Fulfills EU RoHS substance requirements | Yes, No exemptions |
|---|--------------------|

### China RoHS

|  |  |
|--|--|
| Environment friendly use period (EFUP) | EFUP-E                                   |
|  | No hazardous substances above the limits |

### EU REACH SVHC

|                                     |                            |
|-------------------------------------|----------------------------|
| REACH candidate substance (CAS No.) | No substance above 0.1 wt% |
|-------------------------------------|----------------------------|

Phoenix Contact 2026 © - all rights reserved  
<https://www.phoenixcontact.com>

Phoenix Contact USA  
586 Fulling Mill Road  
Middletown, PA 17057, United States  
(+717) 944-1300  
[info@phoenixcon.com](mailto:info@phoenixcon.com)