

PACT MCR-V1-21-44- 50-5A-1 - Current transformer



2277019

<https://www.phoenixcontact.com/us/products/2277019>

Please be informed that the data shown in this PDF document is generated from our online catalog. Please find the complete data in the user documentation. Our general terms of use for downloads are valid.



Bus-bar current transformer, 50 A AC primary current; 5 A AC secondary current; accuracy class 1; 1.25 VA rated power

Commercial data

| | |
|--------------------------------------|---------------|
| Item number | 2277019 |
| Packing unit | 1 pc |
| Minimum order quantity | 1 pc |
| Sales key | C444 |
| Product key | CMMA11 |
| GTIN | 4046356305129 |
| Weight per piece (including packing) | 232.6 g |
| Weight per piece (excluding packing) | 186.6 g |
| Customs tariff number | 85043129 |
| Country of origin | DE |

2277019

<https://www.phoenixcontact.com/us/products/2277019>

Technical data

Product properties

| | |
|----------------|-----------------------------|
| Product type | Current transformer |
| Product family | Bus-bar current transformer |

Electrical properties

| | |
|--------------------------|--------------------------------|
| Rated insulation voltage | 1 kV (Phase/neutral conductor) |
|--------------------------|--------------------------------|

General

| | |
|-------------------|-----------------------------|
| Can be calibrated | no |
| Converter type | Bus-bar current transformer |

Input data

Current transformer

| | |
|----------------------------------|-----------------------------|
| Rated power | 1.25 VA |
| Thermal rated short-time current | $I_{th} = 60 * I_n$ |
| Thermal rated continuous current | $I_d = 1.2 * I_n$ |
| Rated surge current | $I_{dyn} = 2.5 * I_{th}$ |
| Rated frequency f_n | 50 Hz |
| | 60 Hz |
| Primary rated current I_{pn} | 0 A AC ... 50 A AC |
| Can be calibrated | no |
| Converter type | Bus-bar current transformer |

Output data

Signal

| | |
|----------------------------------|----------------|
| Designation | Current output |
| Secondary rated current I_{sn} | 5 A AC |
| Surge current limitation factor | FS 5 |
| Accuracy class | 1 |

Connection data

| | |
|----------------------------------|--|
| Connection method | Screw connection |
| Stripping length | 10 mm |
| Conductor cross-section flexible | 2x 10 mm ² ... 10 mm ² (Secondary terminals) |
| Tightening torque | 2 Nm ... 2 Nm |

Dimensions

Item dimensions

| | |
|--------|-------|
| Width | 31 mm |
| Height | 68 mm |
| Depth | 44 mm |

PACT MCR-V1-21-44- 50-5A-1 - Current transformer



2277019

<https://www.phoenixcontact.com/us/products/2277019>

Item dimensions with alternative mounting

| | |
|--------|-------|
| Width | 44 mm |
| Height | 68 mm |
| Depth | 31 mm |

Circular conductor

| | |
|----------|-------|
| Diameter | 20 mm |
|----------|-------|

Drill hole

| | |
|----------|--------|
| Diameter | 6.5 mm |
|----------|--------|

Material specifications

| | |
|--|-----------------|
| Color | gray (RAL 7042) |
| Flammability rating according to UL 94 | V0 (Housing) |
| Housing material | PA 6.6 |

Environmental and real-life conditions

Ambient conditions

| | |
|---|----------------------------------|
| Ambient temperature (operation) | -25 °C ... 40 °C |
| Ambient temperature (storage/transport) | -25 °C ... 40 °C |
| Altitude | ≤ 1000 m |
| Permissible humidity (operation) | Use only indoors, non-condensing |
| Insulating material class | H |

Approvals

CE

| | |
|-------------|--------------|
| Certificate | CE-compliant |
|-------------|--------------|

UKCA

| | |
|-------------|----------------|
| Certificate | UKCA-compliant |
|-------------|----------------|

UL, USA/Canada

| | |
|----------------|---------------|
| Identification | XODW8.E323953 |
|----------------|---------------|

Standards and regulations

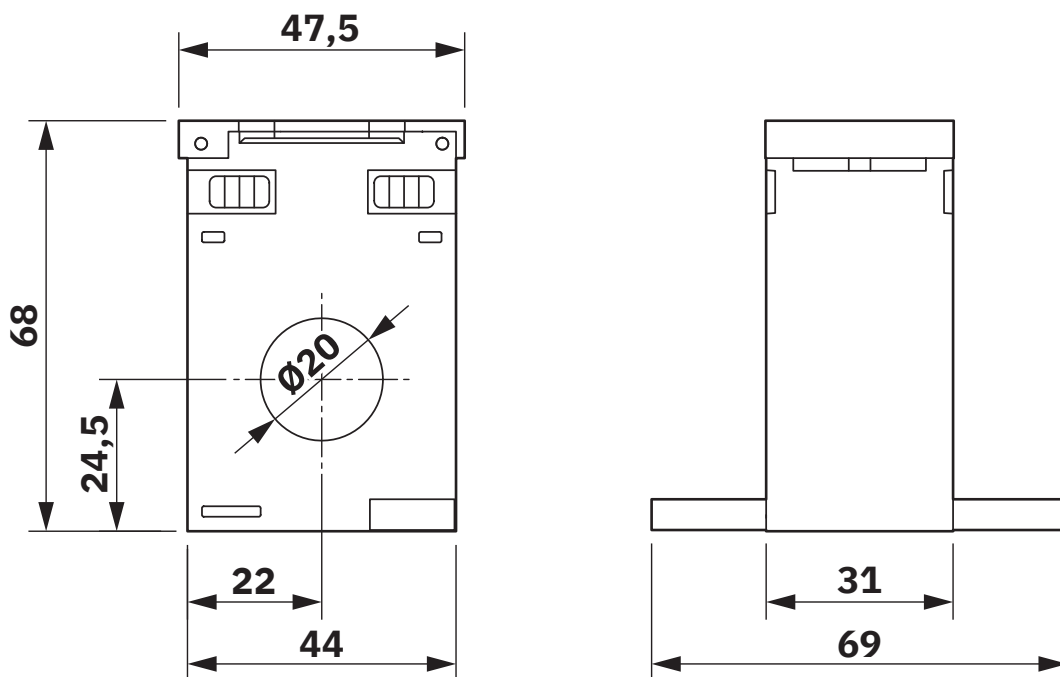
| | |
|-----------------------|----------|
| Standards/regulations | EN 61869 |
|-----------------------|----------|

Mounting

| | |
|---------------|-------------------|
| Mounting type | DIN rail mounting |
| | Panel mounting |

Drawings

Dimensional drawing



PACT MCR-V1-21-44- 50-5A-1 - Current transformer



2277019

<https://www.phoenixcontact.com/us/products/2277019>

Approvals

To download certificates, visit the product detail page: <https://www.phoenixcontact.com/us/products/2277019>



cULus Recognized
Approval ID: E323953

2277019

<https://www.phoenixcontact.com/us/products/2277019>

Classifications

ECLASS

| | |
|-------------|----------|
| ECLASS-13.0 | 27210902 |
| ECLASS-15.0 | 27210902 |

ETIM

| | |
|-----------|----------|
| ETIM 10.0 | EC002048 |
|-----------|----------|

UNSPSC

| | |
|-------------|----------|
| UNSPSC 21.0 | 39121000 |
|-------------|----------|

PACT MCR-V1-21-44- 50-5A-1 - Current transformer



2277019

<https://www.phoenixcontact.com/us/products/2277019>

Environmental product compliance

EU RoHS

| | |
|---|--------------------|
| Fulfills EU RoHS substance requirements | Yes, No exemptions |
|---|--------------------|

China RoHS

| | |
|--|--|
| Environment friendly use period (EFUP) | EFUP-E |
| | No hazardous substances above the limits |

EU REACH SVHC

| | |
|-------------------------------------|----------------------------|
| REACH candidate substance (CAS No.) | No substance above 0.1 wt% |
|-------------------------------------|----------------------------|

Phoenix Contact 2026 © - all rights reserved
<https://www.phoenixcontact.com>

Phoenix Contact USA
586 Fulling Mill Road
Middletown, PA 17057, United States
(+717) 944-1300
info@phoenixcon.com