

PACT MCR-V2-6040- 96-1600-5A-1 - Current transformer



2276230

<https://www.phoenixcontact.com/us/products/2276230>

Please be informed that the data shown in this PDF document is generated from our online catalog. Please find the complete data in the user documentation. Our general terms of use for downloads are valid.



Window-type current transformer, 1,600 A AC primary current; 5 A AC secondary current; accuracy class 1; 15 VA rated power

Your advantages

- Primary rated current I_{pn} : 0 ... (200 ... 2000) A
- Rail dimensions: 60 x 40 mm; 50 x 50 mm

Commercial data

Item number	2276230
Packing unit	1 pc
Minimum order quantity	1 pc
Product key	CMMA11
GTIN	4046356502894
Weight per piece (including packing)	408.5 g
Weight per piece (excluding packing)	385 g
Country of origin	DE

PACT MCR-V2-6040- 96-1600-5A-1 - Current transformer



2276230

<https://www.phoenixcontact.com/us/products/2276230>

Technical data

Product properties

Product type	Current transformer
Product family	Window-type current transformer

Electrical properties

Rated insulation voltage	1 kV (Phase/neutral conductor)
--------------------------	--------------------------------

General

Can be calibrated	no
Converter type	Window-type current transformer

Input data

Current transformer

Rated power	15 VA
Thermal rated short-time current	$I_{th} = 60 * I_n$
Thermal rated continuous current	$I_d = 1.2 * I_n$
Rated surge current	$I_{dyn} = 2.5 * I_{th}$
Rated frequency f_n	50 Hz 60 Hz
Primary rated current I_{pn}	0 A ... 1600 A
Can be calibrated	no
Converter type	Window-type current transformer

Output data

Signal

Secondary rated current I_{sn}	5 A AC
Surge current limitation factor	FS 5
Accuracy class	1

Connection data

Connection method	Screw connection
Conductor cross-section flexible	2x 2.5 mm ² ... 4 mm ² (Secondary terminals)

Dimensions

Item dimensions

Width	30 mm
Height	121 mm
Depth	96 mm

Item dimensions with alternative mounting

Width	96 mm
-------	-------

PACT MCR-V2-6040- 96-1600-5A-1 - Current transformer



2276230

<https://www.phoenixcontact.com/us/products/2276230>

Height	121 mm
Depth	30 mm

Copper rail

Width	60 mm
Height	40 mm

Copper rail 2

Width	50 mm
Height	50 mm

Circular conductor

Diameter	61 mm
----------	-------

Material specifications

Housing material	PA 6.6
------------------	--------

Environmental and real-life conditions

Ambient conditions

Ambient temperature (operation)	-25 °C ... 40 °C
Ambient temperature (storage/transport)	-25 °C ... 40 °C
Permissible humidity (operation)	Use only indoors, non-condensing
Insulating material class	E

Standards and regulations

Standards/regulations	EN 50178
	EN 61869

Mounting

Mounting type	DIN rail mounting
---------------	-------------------

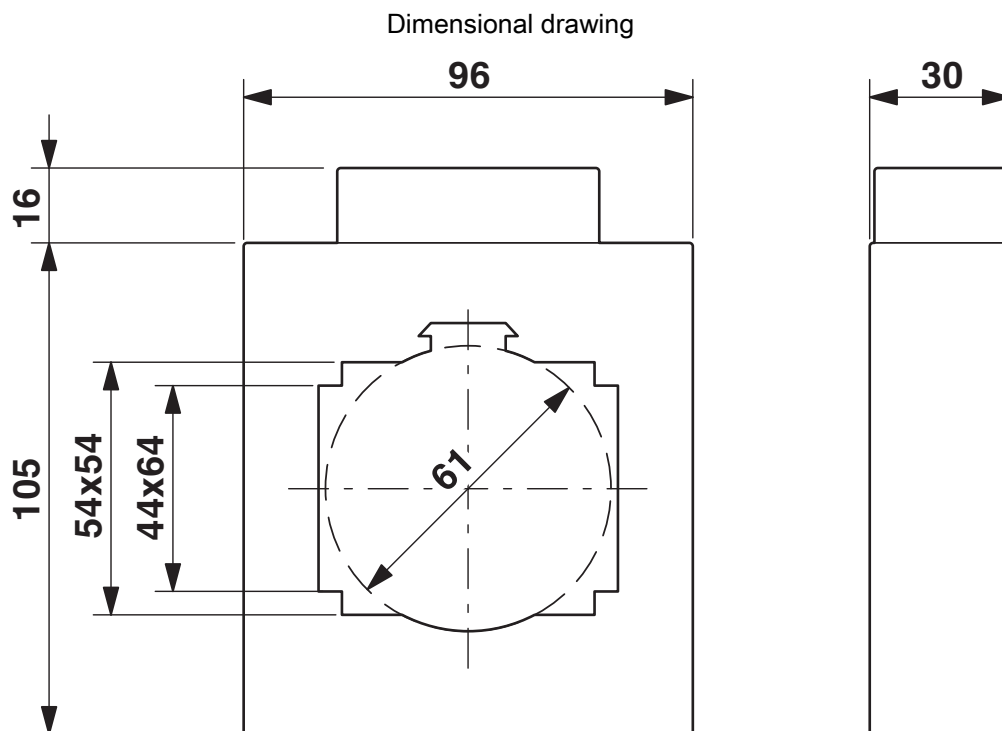
PACT MCR-V2-6040- 96-1600-5A-1 - Current transformer



2276230

<https://www.phoenixcontact.com/us/products/2276230>

Drawings



PACT MCR-V2-6040- 96-1600-5A-1 - Current transformer



2276230

<https://www.phoenixcontact.com/us/products/2276230>

Environmental product compliance

China RoHS

Environment friendly use period (EFUP)	EFUP-50
	An article-related China RoHS declaration table can be found in the download area for the respective article under "Manufacturer declaration". For all articles with EFUP-E, no China RoHS declaration table issued and required.

EU REACH SVHC

REACH candidate substance (CAS No.)	No substance above 0.1 wt%
-------------------------------------	----------------------------

Phoenix Contact 2026 © - all rights reserved
<https://www.phoenixcontact.com>

Phoenix Contact USA
586 Fulling Mill Road
Middletown, PA 17057, United States
(+717) 944-1300
info@phoenixcon.com