

SIM-EI-230AC/48DC/100/RC - Miniature solid-state relay



2271426

<https://www.phoenixcontact.com/us/products/2271426>

Please be informed that the data shown in this PDF document is generated from our online catalog. Please find the complete data in the user documentation. Our general terms of use for downloads are valid.



Input solid-state relay, with protective circuit in input and output circuits, input: 230 V AC, output: 8 - 48 V DC/100 mA

Commercial data

Item number	2271426
Packing unit	10 pc
Minimum order quantity	1 pc
Note	Made to order (non-returnable)
Product key	DK61FY
GTIN	4017918054281
Weight per piece (including packing)	20.25 g
Weight per piece (excluding packing)	20.25 g
Country of origin	DE

SIM-EI-230AC/48DC/100/RC - Miniature solid-state relay



2271426

<https://www.phoenixcontact.com/us/products/2271426>

Technical data

Product properties

Product type	Single solid-state relay
Data management status	
Date of last data management	01.04.2026

Electrical properties

Test voltage (Input/output)	2.5 kV (50 Hz, 1 min., input/output)
-----------------------------	--------------------------------------

Input data

Nominal input voltage U_N	230 V AC
Input voltage range in reference to U_N	0.9 ... 1.1
Input voltage range	207 V AC ... 253 V AC
Switching threshold "0" signal in reference to U_N	≤ 0.4
Switching threshold "1" signal in reference to U_N	≥ 0.8
Typical input current at U_N	2.5 mA
Protective circuit	RC element; RC element
Transmission frequency	3 Hz

Output data

Design of digital output	electronic
Output voltage range	8 V DC ... 48 V DC
Limiting continuous current	100 mA
Voltage drop at max. limiting continuous current	1 V
Output circuit	2-conductor, floating
Protective circuit	Reverse polarity protection; Polarity protection diode

Dimensions

Width	13 mm
Height	29 mm
Depth	25 mm

Environmental and real-life conditions

Ambient conditions

Ambient temperature (operation)	-20 °C ... 50 °C
Ambient temperature (storage/transport)	-20 °C ... 70 °C

Standards and regulations

Standards/regulations	DIN VDE 0110
-----------------------	--------------

Mounting

Assembly note	can be aligned with spacing ≥ 2 mm
---------------	---

SIM-EI-230AC/48DC/100/RC - Miniature solid-state relay



2271426

<https://www.phoenixcontact.com/us/products/2271426>

Mounting position

any

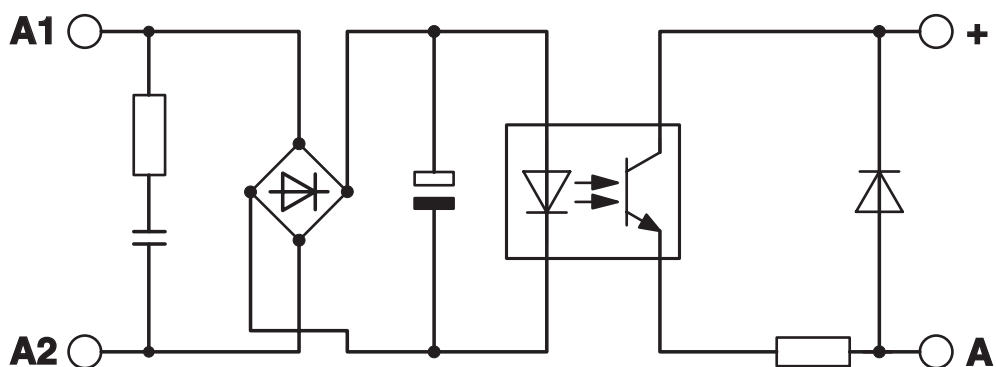
SIM-EI-230AC/48DC/100/RC - Miniature solid-state relay

2271426

<https://www.phoenixcontact.com/us/products/2271426>

Drawings

Circuit diagram



SIM-EI-230AC/48DC/100/RC - Miniature solid-state relay



2271426

<https://www.phoenixcontact.com/us/products/2271426>

Environmental product compliance

EU RoHS

Fulfills EU RoHS substance requirements	Yes, No exemptions
---	--------------------

China RoHS

Environment friendly use period (EFUP)	EFUP-50
	An article-related China RoHS declaration table can be found in the download area for the respective article under "Manufacturer declaration". For all articles with EFUP-E, no China RoHS declaration table issued and required.

EU REACH SVHC

REACH candidate substance (CAS No.)	No substance above 0.1 wt%
-------------------------------------	----------------------------

Phoenix Contact 2026 © - all rights reserved
<https://www.phoenixcontact.com>

Phoenix Contact USA
586 Fulling Mill Road
Middletown, PA 17057, United States
(+717) 944-1300
info@phoenixcon.com