

# SIM-EI-230AC/TTL/100 - Miniature solid-state relay



2271206

<https://www.phoenixcontact.com/us/products/2271206>

Please be informed that the data shown in this PDF document is generated from our online catalog. Please find the complete data in the user documentation. Our general terms of use for downloads are valid.



Input solid-state relay, with protective circuit in input and output circuits, input: 230 V AC, output: TTL logic level, max. 100 mA

The figure shows version SIM-EI-5DC/TTL/100

## Commercial data

Item number	2271206
Packing unit	10 pc
Minimum order quantity	1 pc
Note	Made to order (non-returnable)
Product key	DK61F1
GTIN	4017918054243
Weight per piece (including packing)	13.9 g
Weight per piece (excluding packing)	13.9 g
Country of origin	DE

# SIM-EI-230AC/TTL/100 - Miniature solid-state relay



2271206

<https://www.phoenixcontact.com/us/products/2271206>

## Technical data

### Product properties

Product type	Single solid-state relay
Data management status	
Date of last data management	01.04.2026

### Electrical properties

Test voltage (Input/output)	2.5 kV (50 Hz, 1 min., input/output)
-----------------------------	--------------------------------------

### Input data

Nominal input voltage $U_N$	230 V AC
Input voltage range in reference to $U_N$	0.9 ... 1.1
Input voltage range	207 V AC ... 253 V AC
Switching threshold "0" signal in reference to $U_N$	$\leq 0.4$
Switching threshold "1" signal in reference to $U_N$	$\geq 0.8$
Typical input current at $U_N$	2.1 mA
Protective circuit	Reverse polarity protection; Polarity protection diode Surge protection; Varistor
Transmission frequency	3 Hz

### Output data

Design of digital output	electronic
Output voltage range	3 V DC ... 5.25 V DC
Limiting continuous current	100 mA
Fan out	1
Voltage drop at max. limiting continuous current	0.3 V
Output circuit	3-conductor, ground-referenced
Protective circuit	Reverse polarity protection; Polarity protection diode Free running; Freewheeling diode
Output resistor	approx. 390 $\Omega$

### Dimensions

Dimensional drawing	
Width	13 mm
Height	29 mm
Depth	25 mm

### Environmental and real-life conditions

# SIM-EI-230AC/TTL/100 - Miniature solid-state relay



2271206

<https://www.phoenixcontact.com/us/products/2271206>

## Ambient conditions

Ambient temperature (operation)	-20 °C ... 50 °C
Ambient temperature (storage/transport)	-20 °C ... 70 °C

## Standards and regulations

Standards/regulations	DIN VDE 0110
-----------------------	--------------

## Mounting

Assembly note	can be aligned with spacing $\geq 2$ mm
Mounting position	any

# SIM-EI-230AC/TTL/100 - Miniature solid-state relay



2271206

<https://www.phoenixcontact.com/us/products/2271206>

## Drawings

Dimensional drawing



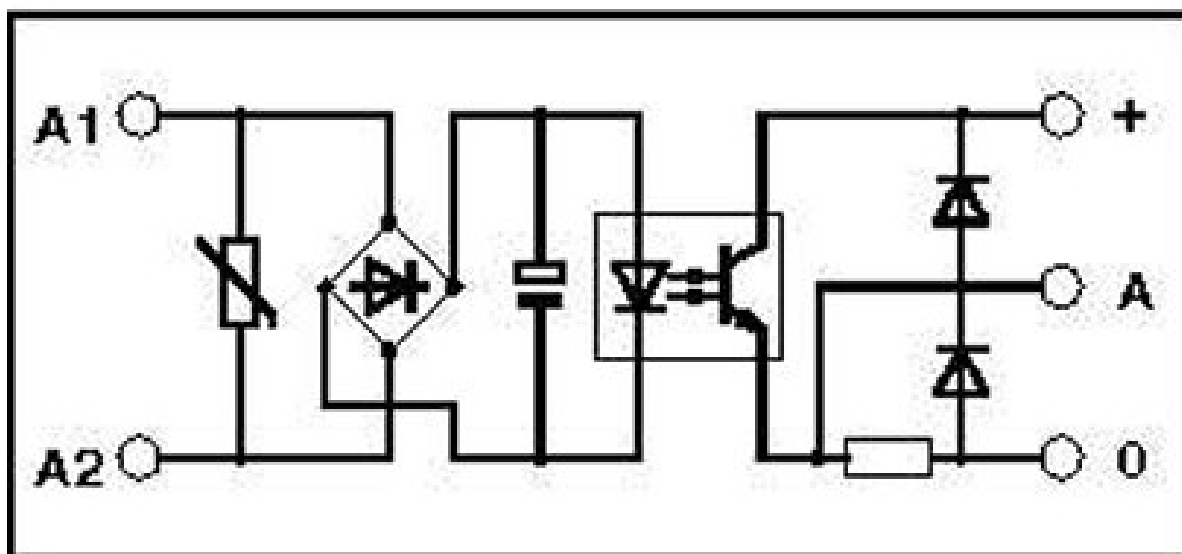
2271206

<https://www.phoenixcontact.com/us/products/2271206>

Schematic diagram



Circuit diagram



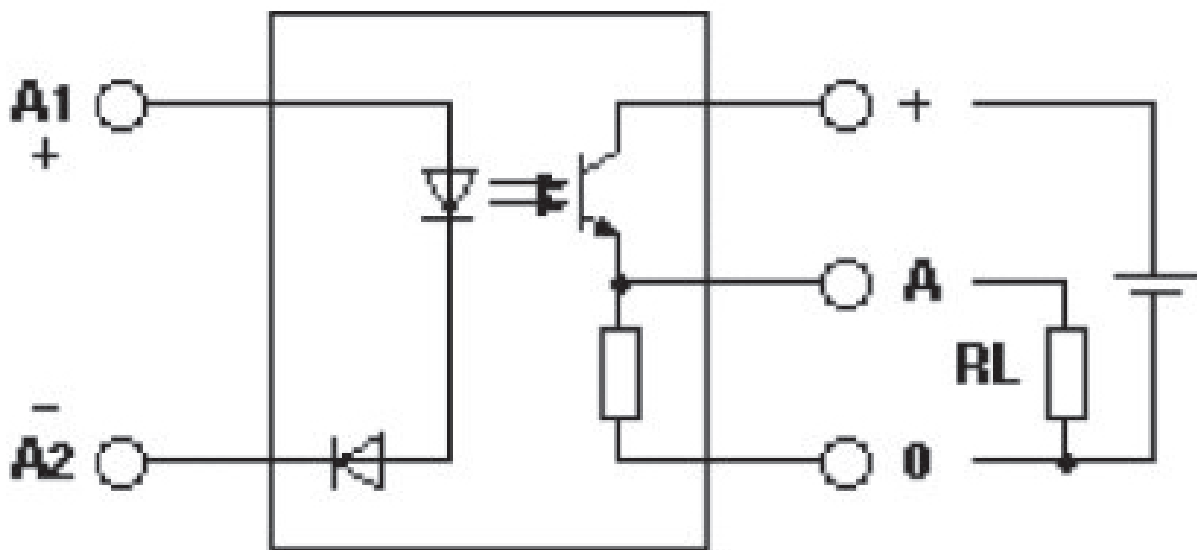
# SIM-EI-230AC/TTL/100 - Miniature solid-state relay



2271206

<https://www.phoenixcontact.com/us/products/2271206>

Circuit diagram



# SIM-EI-230AC/TTL/100 - Miniature solid-state relay



2271206

<https://www.phoenixcontact.com/us/products/2271206>

## Environmental product compliance

### EU RoHS

Fulfills EU RoHS substance requirements	Yes, No exemptions
---	--------------------

### China RoHS

Environment friendly use period (EFUP)	EFUP-50
	An article-related China RoHS declaration table can be found in the download area for the respective article under "Manufacturer declaration". For all articles with EFUP-E, no China RoHS declaration table issued and required.

### EU REACH SVHC

REACH candidate substance (CAS No.)	No substance above 0.1 wt%
-------------------------------------	----------------------------

Phoenix Contact 2026 © - all rights reserved

<https://www.phoenixcontact.com>

Phoenix Contact USA  
586 Fulling Mill Road  
Middletown, PA 17057, United States  
(+717) 944-1300  
[info@phoenixcon.com](mailto:info@phoenixcon.com)