

SIM-AMS 2 - Relay base

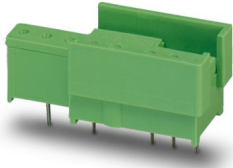
2271028

<https://www.phoenixcontact.com/us/products/2271028>



Please be informed that the data shown in this PDF document is generated from our online catalog. Please find the complete data in the user documentation. Our general terms of use for downloads are valid.

Plug-in base, for standard I/O modules, with different numbers of contacts, can be labeled with marker pins BN or BNB



The figure shows version SIM-AMS 1

Commercial data

Item number	2271028
Packing unit	1 pc
Note	Made to order (non-returnable)
Sales key	C460
Product key	DK61G5
GTIN	4017918103491
Weight per piece (including packing)	10.25 g
Weight per piece (excluding packing)	9.87 g
Customs tariff number	85369010
Country of origin	PL

SIM-AMS 2 - Relay base

2271028

<https://www.phoenixcontact.com/us/products/2271028>



Technical data

Product properties

Product type	Relay socket
Number of contacts, type	2

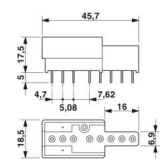
Electrical properties

Nominal voltage U_N	250 V AC
Nominal current I_N	5 A

Connection data

Connection method	Solder pins
-------------------	-------------

Dimensions

Dimensional drawing	
Pin dimensions	1,1 x 0,5 mm
Hole diameter	1.4 mm

Material specifications

Color	green (RAL 6021)
Insulating material	PA

Standards and regulations

Standards

Standards/regulations	DIN VDE 0110b, Gr. C for 250 V DC
-----------------------	-----------------------------------

SIM-AMS 2 - Relay base

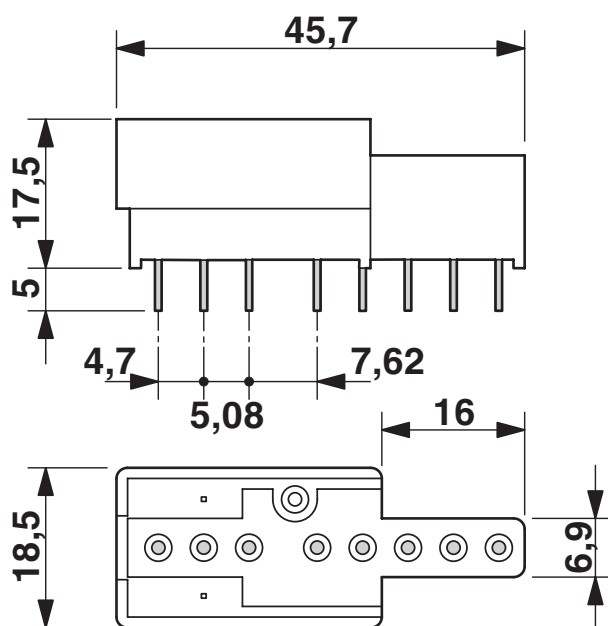
2271028

<https://www.phoenixcontact.com/us/products/2271028>



Drawings

Dimensional drawing



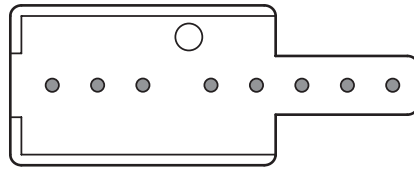
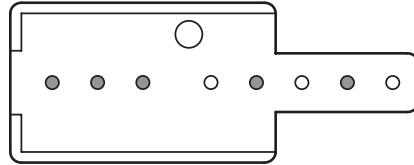
SIM-AMS 2 - Relay base

2271028

<https://www.phoenixcontact.com/us/products/2271028>



Schematic diagram



SIM-AMS 2 - Relay base

2271028

<https://www.phoenixcontact.com/us/products/2271028>



Classifications

UNSPSC

UNSPSC 21.0	39122335
-------------	----------

SIM-AMS 2 - Relay base



2271028

<https://www.phoenixcontact.com/us/products/2271028>

Environmental product compliance

EU RoHS

Fulfills EU RoHS substance requirements	Yes
Exemption	6(c)

China RoHS

Environment friendly use period (EFUP)	EFUP-50
	An article-related China RoHS declaration table can be found in the download area for the respective article under "Manufacturer declaration". For all articles with EFUP-E, no China RoHS declaration table issued and required.

EU REACH SVHC

REACH candidate substance (CAS No.)	Lead(CAS: 7439-92-1)
-------------------------------------	----------------------

Phoenix Contact 2026 © - all rights reserved
<https://www.phoenixcontact.com>

Phoenix Contact USA
586 Fulling Mill Road
Middletown, PA 17057, United States
(+717) 944-1300
info@phoenixcon.com