

# ME MAX GEH-L CL G 3-3 PGBU - Housing half shell



2203940

<https://www.phoenixcontact.com/us/products/2203940>

Please be informed that the data shown in this PDF document is generated from our online catalog. Please find the complete data in the user documentation. Our general terms of use for downloads are valid.



DIN rail housing, Housing half shell (left), tall design, without vents, width: 6.3 mm, height: 99 mm, depth: 112.85 mm, color: pigeon blue (similar RAL 5014), cross connection: DIN rail bus connector (optional)

## Your advantages

- Easy installation
- Variety of connection technology

## Commercial data

Item number	2203940
Packing unit	50 pc
Minimum order quantity	100 pc
Note	Made to order (non-returnable)
Product key	ACHABZ
GTIN	4055626460512
Weight per piece (including packing)	19.21 g
Weight per piece (excluding packing)	19.21 g
Country of origin	DE

# ME MAX GEH-L CL G 3-3 PGBU - Housing half shell



2203940

<https://www.phoenixcontact.com/us/products/2203940>

## Technical data

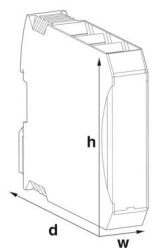
### Notes

Assembly note	Please observe the application note in the download area.
Recommendation	Material of contact pads for bus connector, galvanic gold (hard gold)

### Product properties

Product type	Housing half shells
Housing type	DIN rail housing
Housing series	ME-MAX
Product family	ME MAX.. G 3-3
Number of rows	3
Ventilation openings present	no
Anzahl der Etagen Housing (Makro)	3 (Both sides)

### Dimensions

Dimensional drawing	
Width	6.3 mm
Height	99 mm
Depth	112.85 mm
Depth from top edge of DIN rail	107 mm

### PCB design

PCB thickness	1.4 mm ... 1.8 mm
---------------	-------------------

### Material specifications

Color (Housing)	pigeon blue (RAL 5014)
Flammability rating according to UL 94	V0
CTI according to IEC 60112	600
Housing material	PA

### Environmental and real-life conditions

#### Ambient conditions

Max. IP code to attain	IP20
Ambient temperature (operation)	-40 °C ... 105 °C (depending on power dissipation)
Ambient temperature (storage/transport)	-40 °C ... 55 °C

# ME MAX GEH-L CL G 3-3 PGBU - Housing half shell



2203940

<https://www.phoenixcontact.com/us/products/2203940>

Ambient temperature (assembly)	-5 °C ... 100 °C
Relative humidity (storage/transport)	80 %

## PCB data

Type of PCB mount	Latching
Thickness of the PCB	1.4 mm ... 1.8 mm

## Mounting

Mounting type	DIN rail mounting
---------------	-------------------

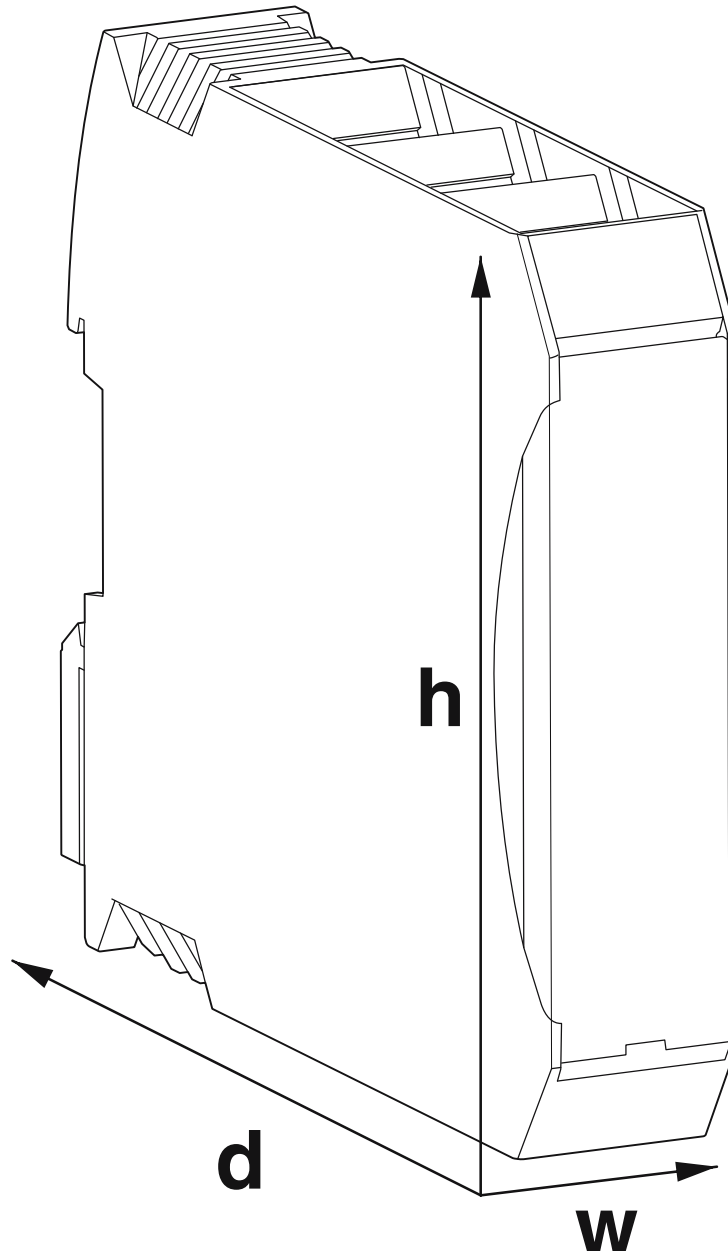
# ME MAX GEH-L CL G 3-3 PGBU - Housing half shell

2203940

<https://www.phoenixcontact.com/us/products/2203940>

## Drawings

Dimensional drawing



Schematic view

# ME MAX GEH-L CL G 3-3 PGBU - Housing half shell



2203940

<https://www.phoenixcontact.com/us/products/2203940>

## Classifications

### ECLASS

ECLASS-13.0

27190602

### ETIM

ETIM 9.0

EC002779

### UNSPSC

UNSPSC 21.0

31261500

# ME MAX GEH-L CL G 3-3 PGBU - Housing half shell



2203940

<https://www.phoenixcontact.com/us/products/2203940>

## Environmental product compliance

### EU RoHS

Fulfills EU RoHS substance requirements	Yes, No exemptions
---	--------------------

### China RoHS

Environment friendly use period (EFUP)	EFUP-E
	No hazardous substances above the limits

### EU REACH SVHC

REACH candidate substance (CAS No.)	No substance above 0.1 wt%
-------------------------------------	----------------------------

### EF3.1 Climate Change

CO2e kg	0.14 kg CO2e
---------	--------------

Phoenix Contact 2026 © - all rights reserved  
<https://www.phoenixcontact.com>

Phoenix Contact USA  
586 Fulling Mill Road  
Middletown, PA 17057, United States  
(+717) 944-1300  
[info@phoenixcon.com](mailto:info@phoenixcon.com)