

# ICS20-C100X12-7035 - Upper housing part



2203879

<https://www.phoenixcontact.com/us/products/2203879>

Please be informed that the data shown in this PDF document is generated from our online catalog. Please find the complete data in the user documentation. Our general terms of use for downloads are valid.

DIN rail housing, Upper part, closed, Housing cover, width: 20 mm, height: 100 mm, depth: 14.35 mm, color: light gray (similar RAL 7035)



## Your advantages

- Flexible use, thanks to the modular system and unique modularity in the connection technology
- Standardized connections such as RJ45, USB, D-SUB and antenna sockets as components that can be integrated
- Optimal space utilization, as well as adaptability of design, colors, and printing
- Eight-position DIN rail connectors with parallel and up to two serial contacts for easy module-to-module communication

## Commercial data

Item number	2203879
Packing unit	10 pc
Minimum order quantity	10 pc
Sales key	AC09
Product key	ACHAED
GTIN	4055626465548
Weight per piece (including packing)	9 g
Weight per piece (excluding packing)	6.2 g
Customs tariff number	85389099
Country of origin	DE

# ICS20-C100X12-7035 - Upper housing part

2203879

<https://www.phoenixcontact.com/us/products/2203879>

## Technical data

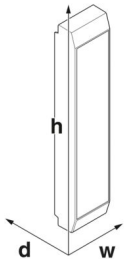
### Notes

Assembly note	Please observe the application note in the download area.
---------------	---

### Product properties

Product type	Upper housing part
Housing type	DIN rail housing
Housing type	Modular housings
Housing series	ICS
Product family	ICS20-..100X..
Ventilation openings present	no

### Dimensions

Dimensional drawing	
Width	20 mm
Height	100 mm
Depth	14.35 mm

### PCB design

PCB thickness	1.4 mm ... 1.8 mm
---------------	-------------------

### Material specifications

Color (Upper housing part)	light gray (RAL 7035)
Material Upper housing part	PA
Flammability rating according to UL 94	V0
CTI according to IEC 60112	600
Surface characteristics	untreated

### Environmental and real-life conditions

#### Vibration test

Specification	IEC 60068-2-6:2007-12
Frequency	10 - 150 - 10 Hz
Sweep speed	1 octave/min
Amplitude	0.15 mm (10 Hz ... 58.1 Hz)
Acceleration	2g (58.1 Hz ... 150 Hz)

# ICS20-C100X12-7035 - Upper housing part



2203879

<https://www.phoenixcontact.com/us/products/2203879>

Test duration per axis	2.5 h
Test directions	X-, Y- and Z-axis

## Glow-wire test

Specification	IEC 60695-2-11:2014-02
Temperature	850 °C
Time of exposure	30 s

## Thermal stability / ball thrust test

Specification	IEC 60695-10-2:2014-02
Temperature	125 °C
Test duration	1 h
Force	20 N

## Mechanical strength / tumbling barrel

Specification	IEC 60068-2-31:2008-05
Height of fall	50 cm
Frequency	50

## Shocks

Specification	IEC 60068-2-27:2008-02
Pulse shape	Semi-sinusoidal
Acceleration	15g
Shock duration	11 ms
Number of shocks per direction	3
Test directions	X-, Y- and Z-axis (pos. and neg.)

## Test for substances that would hinder coating with paint or varnish

Specification	VDMA 24364:2018-05
Result	Test passed

## Degree of protection (IP code)

Specification	IEC 60529:1989-11 + AMD 1:1999-11 + AMD 2:2013-08
Result, degree of protection, IP code	IP20

## Ambient conditions

Max. IP code to attain	IP20
Ambient temperature (operation)	-40 °C ... 105 °C (depending on power dissipation)
Ambient temperature (storage/transport)	-40 °C ... 55 °C
Ambient temperature (assembly)	-5 °C ... 100 °C
Relative humidity (storage/transport)	80 %

## PCB data

Type of PCB mount	Slot
Thickness of the PCB	1.4 mm ... 1.8 mm

## Mounting

# ICS20-C100X12-7035 - Upper housing part



2203879

<https://www.phoenixcontact.com/us/products/2203879>

Mounting type	Snap in
---------------	---------

## Packaging specifications

Type of packaging	packed in cardboard
Outer packaging type	Carton

## Drawings

Dimensional drawing



Schematic figure for illustrating the item dimensions. The figure is not of the desired product. For further details, refer to the product drawings in the "Downloads" tab.

# ICS20-C100X12-7035 - Upper housing part



2203879

<https://www.phoenixcontact.com/us/products/2203879>

## Approvals

To download certificates, visit the product detail page: <https://www.phoenixcontact.com/us/products/2203879>



**UL Recognized**

Approval ID: E240868

# ICS20-C100X12-7035 - Upper housing part



2203879

<https://www.phoenixcontact.com/us/products/2203879>

## Classifications

### ECLASS

ECLASS-13.0	27190603
ECLASS-15.0	27190603

### ETIM

ETIM 10.0	EC002779
-----------	----------

### UNSPSC

UNSPSC 21.0	31261500
-------------	----------

# ICS20-C100X12-7035 - Upper housing part



2203879

<https://www.phoenixcontact.com/us/products/2203879>

## Environmental product compliance

### EU RoHS

Fulfills EU RoHS substance requirements	Yes, No exemptions
---	--------------------

### China RoHS

Environment friendly use period (EFUP)	EFUP-E
	No hazardous substances above the limits

### EU REACH SVHC

REACH candidate substance (CAS No.)	No substance above 0.1 wt%
-------------------------------------	----------------------------

Phoenix Contact 2026 © - all rights reserved  
<https://www.phoenixcontact.com>

Phoenix Contact USA  
586 Fulling Mill Road  
Middletown, PA 17057, United States  
(+717) 944-1300  
[info@phoenixcon.com](mailto:info@phoenixcon.com)