

# ME MAX 6,2 SP 4-4 BU - Electronics housing



2203489

<https://www.phoenixcontact.com/us/products/2203489>

Please be informed that the data shown in this PDF document is generated from our online catalog. Please find the complete data in the user documentation. Our general terms of use for downloads are valid.



DIN rail housing, Complete housing, tall design, with spring-cage connection, width: 6.3 mm, height: 93.1 mm, depth: 101.2 mm, color: blue (similar RAL 5015), cross connection: without bus connector

## Your advantages

- Easy installation
- Available in overall widths from 6.2 mm ... 90 mm, modular extension possible
- Variety of connection technology
- Can be mounted on the DIN rail
- With DIN-rail-mountable bus connector and power connector system as an option
- Transparent front cover can be swiveled

## Commercial data

Item number	2203489
Packing unit	10 pc
Minimum order quantity	100 pc
Note	Made to order (non-returnable)
Product key	ACHABA
GTIN	4055626396064
Weight per piece (including packing)	40.96 g
Weight per piece (excluding packing)	34.407 g
Country of origin	DE

# ME MAX 6,2 SP 4-4 BU - Electronics housing



2203489

<https://www.phoenixcontact.com/us/products/2203489>

## Technical data

### Notes

Assembly note	Please observe the application note in the download area.
Recommendation	Material of contact pads for bus connector, galvanic gold (hard gold)

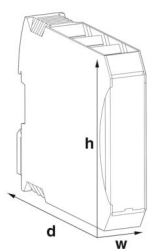
### Product properties

Product type	Complete housing
Housing type	DIN rail housing
Housing type	Modular housings
Housing series	ME-MAX
Product family	ME MAX 6,2..
Number of positions	8
Max. number of positions	8 (pitch: 3.5 mm)
Number of rows	4
Ventilation openings present	no
Anzahl der Etagen Housing (Makro)	4 (Both sides)
Pin layout	Linear pinning

### Connection data

Connection method	Spring-cage connection
-------------------	------------------------

### Dimensions

Dimensional drawing	
Width	6.3 mm
Height	93.1 mm
Depth	101.2 mm
Depth from top edge of DIN rail	95 mm

### PCB design

PCB thickness	1.4 mm ... 1.8 mm
---------------	-------------------

### Material specifications

Color (Housing)	blue (RAL 5015)
Material	PBT
Flammability rating according to UL 94	V0

# ME MAX 6,2 SP 4-4 BU - Electronics housing



2203489

<https://www.phoenixcontact.com/us/products/2203489>

CTI according to IEC 60112	600
----------------------------	-----

## Environmental and real-life conditions

### Ambient conditions

Max. IP code to attain	IP20
Ambient temperature (operation)	-40 °C ... 105 °C (depending on power dissipation)
Ambient temperature (storage/transport)	-40 °C ... 70 °C
Ambient temperature (assembly)	-5 °C ... 100 °C
Relative humidity (storage/transport)	95 %

## PCB data

Number of PCB holders	1
Type of PCB mount	Latching
Thickness of the PCB	1.4 mm ... 1.8 mm

## Mounting

Mounting type	DIN rail mounting
Pin layout	Linear pinning

## Packaging specifications

Type of packaging	packed in cardboard
Outer packaging type	Carton

## Drawings

Dimensional drawing



Schematic figure for illustrating the item dimensions. The figure is not of the desired product. For further details, refer to the product drawings in the "Downloads" tab.

# ME MAX 6,2 SP 4-4 BU - Electronics housing





2203489


<https://www.phoenixcontact.com/us/products/2203489>

## Approvals

To download certificates, visit the product detail page: <https://www.phoenixcontact.com/us/products/2203489>

 <b>cUL Recognized</b> Approval ID: FILE E 60425				
	Nominal voltage $U_N$	Nominal current $I_N$	Cross section AWG	Cross section $\text{mm}^2$
B				
	300 V	8 A	24 - 12	-
D				
	300 V	8 A	24 - 12	-

 <b>UL Recognized</b> Approval ID: FILE E 60425				
	Nominal voltage $U_N$	Nominal current $I_N$	Cross section AWG	Cross section $\text{mm}^2$
B				
	300 V	8 A	24 - 12	-
D				
	300 V	8 A	24 - 12	-

 <b>UL Recognized</b> Approval ID: E240868				
--	--	--	--	--

# ME MAX 6,2 SP 4-4 BU - Electronics housing



2203489

<https://www.phoenixcontact.com/us/products/2203489>

## Classifications

### ECLASS

ECLASS-13.0	27190501
ECLASS-15.0	27190501

### ETIM

ETIM 10.0	EC001031
-----------	----------

### UNSPSC

UNSPSC 21.0	31261500
-------------	----------

# ME MAX 6,2 SP 4-4 BU - Electronics housing



2203489

<https://www.phoenixcontact.com/us/products/2203489>

## Environmental product compliance

### EU RoHS

Fulfills EU RoHS substance requirements	Yes, No exemptions
---	--------------------

### China RoHS

Environment friendly use period (EFUP)	EFUP-E
	No hazardous substances above the limits

### EU REACH SVHC

REACH candidate substance (CAS No.)	No substance above 0.1 wt%
-------------------------------------	----------------------------

Phoenix Contact 2026 © - all rights reserved  
<https://www.phoenixcontact.com>

Phoenix Contact USA  
586 Fulling Mill Road  
Middletown, PA 17057, United States  
(+717) 944-1300  
[info@phoenixcon.com](mailto:info@phoenixcon.com)