

# UCS 125-87-H-CCD 7035 - Universal housings



2203445

<https://www.phoenixcontact.com/us/products/2203445>

Please be informed that the data shown in this PDF document is generated from our online catalog. Please find the complete data in the user documentation. Our general terms of use for downloads are valid.



Complete housing for PCBs, fixed to the corner inlays, includes housing half-shells, side panels closed, corner inlays with PCB attachment, screws for housing and PCB attachment, light gray housing with turquoise blue corner inlays

## Your advantages

- High degree of application flexibility, thanks to the modular housing design
- Flexible PCB attachment, adapts to virtually all form factors
- Practical customization options
- Reduced logistics outlay, thanks to components which are compatible with one another

## Commercial data

Item number	2203445
Packing unit	1 pc
Minimum order quantity	1 pc
Note	Made to order (non-returnable)
Sales key	AC03
Product key	ACFCAA
GTIN	4055626403335
Weight per piece (including packing)	360 g
Weight per piece (excluding packing)	360 g
Customs tariff number	84879090
Country of origin	DE

# UCS 125-87-H-CCD 7035 - Universal housings

2203445

<https://www.phoenixcontact.com/us/products/2203445>

## Technical data

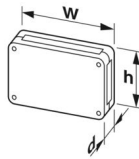
### Notes

Assembly note	The housing can be opened a maximum of 10 times.
Note on application	Attach the adhesive pads: Make sure that the surface of the housing is clean, dry, and free of grease. Temperature range: +18°C ... +30°C / Closing pressure force: 60 N / Closing pressure time: 3 s
General	Please observe the application note in the download area.

### Product properties

Product type	Complete housing
Housing type	Field housing
Housing type	Universal housings
Housing series	UCS
Product family	UCS 125-87
Ventilation openings present	no

### Dimensions

Dimensional drawing	
Width	125 mm
Height	87 mm
Depth	67 mm
Dimensions	100 mm x 62 mm (Maximum circuit board dimensions)

### PCB design

PCB thickness	0.8 mm ... 3 mm
---------------	-----------------

### Material specifications

Color (Housing)	light gray (RAL 7035)
Color (Corner inlay)	turquoise green (RAL 5018)
Material Housing	PC
Material Corner inlay	PA
Flammability rating according to UL 94	V0
CTI according to IEC 60112	225

### Environmental and real-life conditions

#### Power dissipation single housing for 20 °C

Ambient temperature	20 °C
Reduction factor	1

# UCS 125-87-H-CCD 7035 - Universal housings



2203445

<https://www.phoenixcontact.com/us/products/2203445>

Mounting position	vertical
Power dissipation	10.7 W

## Power dissipation single housing for 30 °C

Ambient temperature	30 °C
Reduction factor	0.81
Mounting position	vertical
Power dissipation	8.7 W

## Power dissipation single housing for 40 °C

Ambient temperature	40 °C
Reduction factor	0.64
Mounting position	vertical
Power dissipation	6.8 W

## Power dissipation single housing for 50 °C

Ambient temperature	50 °C
Reduction factor	0.5
Mounting position	vertical
Power dissipation	5.3 W

## Power dissipation single housing for 60 °C

Ambient temperature	60 °C
Reduction factor	0.38
Mounting position	vertical
Power dissipation	4.1 W

## Vibration test

Specification	IEC 60068-2-6:2007-12
Frequency	10 - 150 - 10 Hz
Sweep speed	1 octave/min
Amplitude	0.15 mm (10 Hz ... 58.1 Hz)
Acceleration	2g (58.1 Hz ... 150 Hz)
Test duration per axis	2.5 h
Test directions	X-, Y- and Z-axis

## Glow-wire test

Specification	IEC 60695-2-11:2014-02
Temperature	850 °C
Time of exposure	30 s

## Thermal stability / ball thrust test

Specification	IEC 60695-10-2:2014-02
Temperature	125 °C
Test duration	1 h
Force	20 N

## Mechanical strength / tumbling barrel

# UCS 125-87-H-CCD 7035 - Universal housings



2203445

<https://www.phoenixcontact.com/us/products/2203445>

Specification	IEC 60068-2-31:2008-05
Height of fall	50 cm
Frequency	50

## Shocks

Specification	IEC 60068-2-27:2008-02
Pulse shape	Half-sine
Acceleration	15g
Shock duration	11 ms
Number of shocks per direction	3
Test directions	X-, Y- and Z-axis (pos. and neg.)

## Test for substances that would hinder coating with paint or varnish

Specification	VW PV 3.10.7:2005-02
Result	Test passed

## Degree of protection (IP code)

Specification	IEC 60529:1989-11 + AMD 1:1999-11 + AMD 2:2013-08
Result, degree of protection, IP code	IP40

## Ambient conditions

Max. IP code to attain	IP40
Ambient temperature (operation)	-40 °C ... 105 °C (depending on power dissipation)
Ambient temperature (storage/transport)	-40 °C ... 55 °C
Ambient temperature (assembly)	-5 °C ... 100 °C
Relative humidity (storage/transport)	80 %

## PCB data

Number of PCB holders	1
Type of PCB mount	Bolt mounting
Total PCB surface	6000 mm <sup>2</sup>
Thickness of the PCB	0.8 mm ... 3 mm
Note on PCB holders	This product is prepared for a printed-circuit board. Additional printed-circuit boards can be mounted using adhesive pads (accessories).

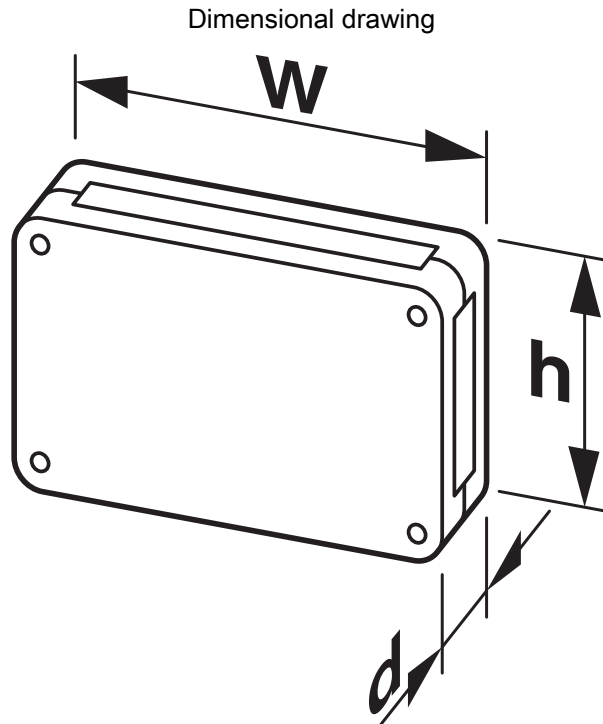
## Mounting

Mounting type	Screw mounting
Mounting position	any
Tightening torque / speed	Screw connection between housing halves: 1.2 - 1.4 Nm / 500 - 1000 rpm Mounting of PCB on corner feeder: 0.4 - 0.5 Nm / 500 - 1000 rpm
Tightening torque	1.2 Nm ... 1.4 Nm
Tightening torque	0.4 Nm ... 0.5 Nm

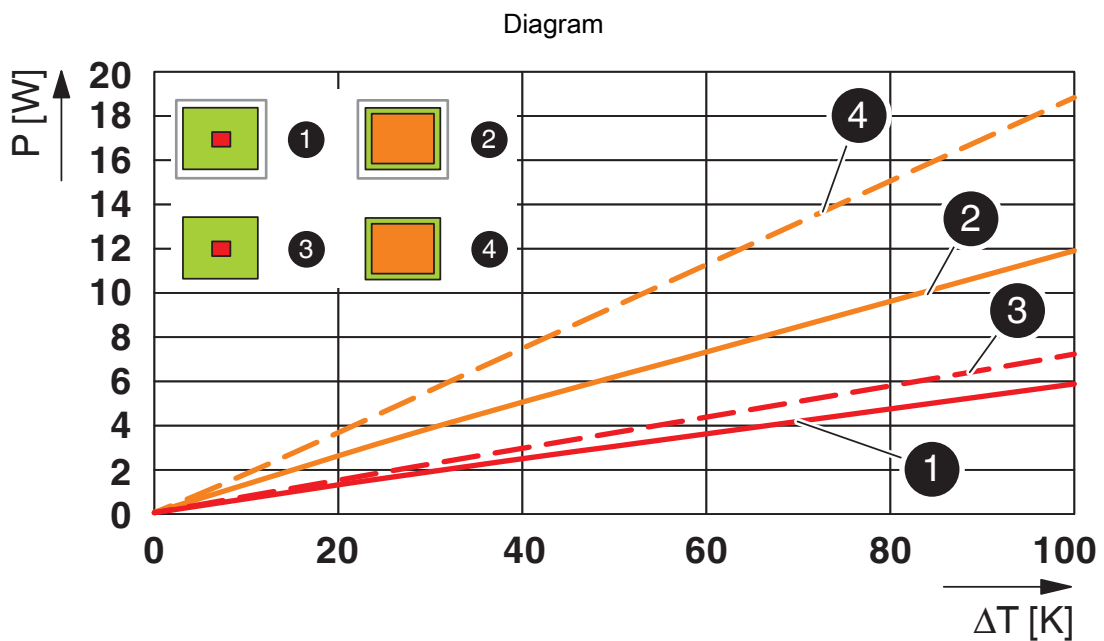
## Packaging specifications

Type of packaging	Box packaging
-------------------	---------------

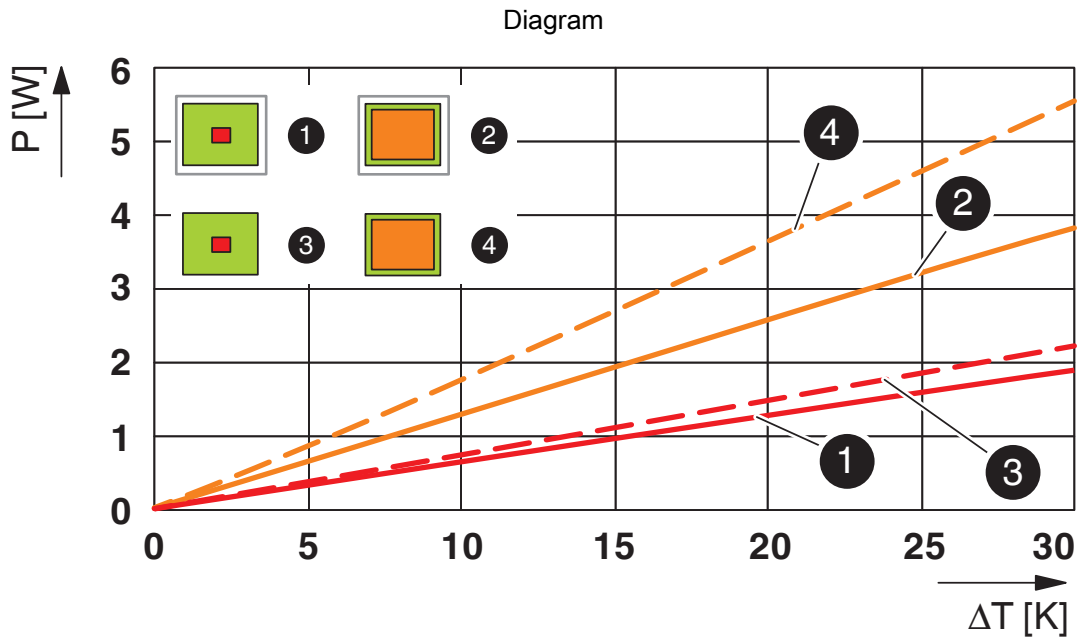
Drawings



Schematic representation – for additional information, see product range drawing in the Download Center



Power dissipation diagram for 0 K ... 100 K



Power dissipation diagram for 0 K ... 30 K

# UCS 125-87-H-CCD 7035 - Universal housings



2203445

<https://www.phoenixcontact.com/us/products/2203445>

## Approvals

To download certificates, visit the product detail page: <https://www.phoenixcontact.com/us/products/2203445>



**UL Recognized**

Approval ID: E240868

# UCS 125-87-H-CCD 7035 - Universal housings



2203445

<https://www.phoenixcontact.com/us/products/2203445>

## Classifications

### ECLASS

ECLASS-13.0	27190104
ECLASS-15.0	27190104

### ETIM

ETIM 10.0	EC001031
-----------	----------

### UNSPSC

UNSPSC 21.0	31261500
-------------	----------

# UCS 125-87-H-CCD 7035 - Universal housings



2203445

<https://www.phoenixcontact.com/us/products/2203445>

## Environmental product compliance

### EU RoHS

Fulfills EU RoHS substance requirements	Yes, No exemptions
---	--------------------

### China RoHS

Environment friendly use period (EFUP)	EFUP-E
	No hazardous substances above the limits

### EU REACH SVHC

REACH candidate substance (CAS No.)	Perfluorobutane sulfonic acid (PFBS) and its salts(CAS: n/a)
-------------------------------------	--

Phoenix Contact 2026 © - all rights reserved  
<https://www.phoenixcontact.com>

Phoenix Contact USA  
586 Fulling Mill Road  
Middletown, PA 17057, United States  
(+717) 944-1300  
[info@phoenixcon.com](mailto:info@phoenixcon.com)