

UCS HH 237-195 9005 - Housing half-shell



2203357

<https://www.phoenixcontact.com/us/products/2203357>

Please be informed that the data shown in this PDF document is generated from our online catalog. Please find the complete data in the user documentation. Our general terms of use for downloads are valid.

Housing half-shell for creating a UCS housing of 237 x 195 mm; material: polycarbonate; color: black similar to RAL 9005



Your advantages

- High degree of application flexibility, thanks to the modular housing design
- Flexible PCB attachment, adapts to virtually all form factors
- Practical customization options
- Reduced logistics outlay, thanks to components which are compatible with one another

Commercial data

Item number	2203357
Packing unit	10 pc
Minimum order quantity	10 pc
Sales key	AC03
Product key	ACFCAA
GTIN	4055626427737
Weight per piece (including packing)	220.61 g
Weight per piece (excluding packing)	178.9 g
Customs tariff number	84879090
Country of origin	DE

UCS HH 237-195 9005 - Housing half-shell

2203357

<https://www.phoenixcontact.com/us/products/2203357>

Technical data

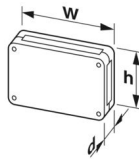
Notes

Assembly note	Please observe the application note in the download area.
---------------	---

Product properties

Product type	Housing half shells
Housing type	Universal housings
Housing series	UCS
Product family	UCS 237-195
Ventilation openings present	no

Dimensions

Dimensional drawing	
Width	237 mm
Height	195 mm
Depth	21.75 mm

PCB design

PCB thickness	0.8 mm ... 3 mm
---------------	-----------------

Material specifications

Color (Housing)	black (RAL 9005)
Material Housing	PC
Flammability rating according to UL 94	V0
CTI according to IEC 60112	225
Insulating material	PC

Environmental and real-life conditions

Vibration test

Specification	IEC 60068-2-6:2007-12
Frequency	10 - 150 - 10 Hz
Sweep speed	1 octave/min
Amplitude	0.15 mm (10 Hz ... 58.1 Hz)
Acceleration	2g (58.1 Hz ... 150 Hz)
Test duration per axis	2.5 h
Test directions	X-, Y- and Z-axis

Glow-wire test

UCS HH 237-195 9005 - Housing half-shell



2203357

<https://www.phoenixcontact.com/us/products/2203357>

Specification	IEC 60695-2-11:2014-02
Temperature	850 °C
Time of exposure	30 s

Thermal stability / ball thrust test

Specification	IEC 60695-10-2:2014-02
Temperature	125 °C
Test duration	1 h
Force	20 N

Mechanical strength / tumbling barrel

Specification	IEC 60068-2-31:2008-05
Height of fall	50 cm
Frequency	50

Shocks

Specification	IEC 60068-2-27:2008-02
Pulse shape	Half-sine
Acceleration	15g
Shock duration	11 ms
Number of shocks per direction	3
Test directions	X-, Y- and Z-axis (pos. and neg.)

Test for substances that would hinder coating with paint or varnish

Specification	VW PV 3.10.7:2005-02
Result	Test passed

Degree of protection (IP code)

Specification	IEC 60529:1989-11 + AMD 1:1999-11 + AMD 2:2013-08
Result, degree of protection, IP code	IP40

Ambient conditions

Max. IP code to attain	IP40
Ambient temperature (operation)	-40 °C ... 105 °C (depending on power dissipation)
Ambient temperature (storage/transport)	-40 °C ... 70 °C
Ambient temperature (assembly)	-5 °C ... 100 °C
Relative humidity (storage/transport)	95 %

PCB data

Type of PCB mount	Bolt mounting
Total PCB surface	35800 mm ²
Thickness of the PCB	0.8 mm ... 3 mm
Supported form factors	Raspberry Pi, Pico-ITX, PC/104, Nano-ITX, Mini-ITX, Mini-DTX, ETX, EPIC, EBX

Mounting

Mounting type	Screw mounting
---------------	----------------

UCS HH 237-195 9005 - Housing half-shell



2203357

<https://www.phoenixcontact.com/us/products/2203357>

Mounting position	any
Tightening torque / speed	Screw connection between housing halves: 1.2 - 1.4 Nm / 500 - 1000 rpm
	Mounting of PCB on corner feeder: 0.4 - 0.5 Nm / 500 - 1000 rpm
Tightening torque	1.2 Nm ... 1.4 Nm
Tightening torque	0.4 Nm ... 0.5 Nm

Packaging specifications

Type of packaging	Box packaging
-------------------	---------------

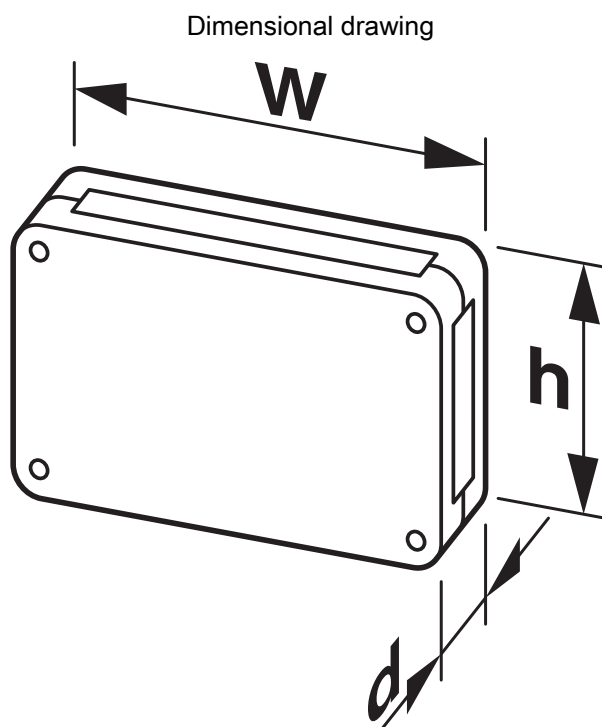
UCS HH 237-195 9005 - Housing half-shell

2203357

<https://www.phoenixcontact.com/us/products/2203357>



Drawings



Schematic representation – for additional information, see product range drawing in the Download Center

UCS HH 237-195 9005 - Housing half-shell



2203357

<https://www.phoenixcontact.com/us/products/2203357>

Classifications

ECLASS

ECLASS-13.0	27190603
ECLASS-15.0	27190603

ETIM

ETIM 10.0	EC002779
-----------	----------

UNSPSC

UNSPSC 21.0	31261500
-------------	----------

UCS HH 237-195 9005 - Housing half-shell



2203357

<https://www.phoenixcontact.com/us/products/2203357>

Environmental product compliance

EU RoHS

Fulfills EU RoHS substance requirements	Yes, No exemptions
---	--------------------

China RoHS

Environment friendly use period (EFUP)	EFUP-E
	No hazardous substances above the limits

EU REACH SVHC

REACH candidate substance (CAS No.)	Perfluorobutane sulfonic acid (PFBS) and its salts(CAS: n/a)
SCIP	85ebf307-e5e0-4b1f-80fe-f020ab8963b9

Phoenix Contact 2026 © - all rights reserved

<https://www.phoenixcontact.com>

Phoenix Contact USA
586 Fulling Mill Road
Middletown, PA 17057, United States
(+717) 944-1300
info@phoenixcon.com