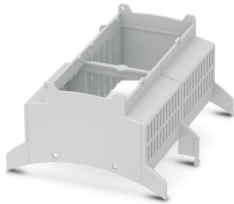


# BC 107,6 OT 1121 KMGY - Upper housing part

2203260

<https://www.phoenixcontact.com/us/products/2203260>

Please be informed that the data shown in this PDF document is generated from our online catalog. Please find the complete data in the user documentation. Our general terms of use for downloads are valid.



DIN rail housing for use in distribution boards in accordance with DIN 43880, modular upper housing part, width: 107.6 mm, height: 89.7 mm, depth: 54.85 mm, color: light gray (similar RAL 7035)

## Your advantages

- Coordinated housing and connection system for faster device development
- Individual online configuration for diverse applications in building automation
- Variety of connection technology
- Can be mounted on the DIN rail or the wall
- With DIN-rail-mountable bus connector and power connector system as an option
- Tool-free mounting
- Available in overall widths from 1 ... 9 width units (17.8 mm ... 161.6 mm)
- Compliant with DIN EN 43880

## Commercial data

|                                      |               |
|--------------------------------------|---------------|
| Item number                          | 2203260       |
| Packing unit                         | 10 pc         |
| Minimum order quantity               | 10 pc         |
| Sales key                            | AC22          |
| Product key                          | ACHBAB        |
| GTIN                                 | 4055626399027 |
| Weight per piece (including packing) | 48.54 g       |
| Weight per piece (excluding packing) | 48.54 g       |
| Customs tariff number                | 84879090      |
| Country of origin                    | PL            |

# BC 107,6 OT 1121 KMGY - Upper housing part

2203260

<https://www.phoenixcontact.com/us/products/2203260>

## Technical data

### Notes

|               |   |
|---------------|---|
| Assembly note | Please observe the application note in the download area. |
|---------------|---|

### Product properties

|                                   |  |
|-----------------------------------|--|
| Product type                      | Upper housing part   |
| Housing type                      | DIN rail housing for use in distribution boards in accordance with DIN 43880       |
| Housing type                      | Modular building installation housings   |
| Housing series                    | BC   |
| Product family                    | BC 107,6..   |
| Max. number of positions          | 64 (pitch: 2.5 mm)<br>48 (pitch: 3.5 mm)<br>40 (pitch: 5 mm)<br>24 (pitch: 7.5 mm) |
| Number (Connection openings)      | 4  |
| Ventilation openings present      | yes  |
| Anzahl der Etagen Housing (Makro) | 1 (Both sides)   |

### Dimensions

|                     |  |
|---------------------|--|
| Dimensional drawing |  |
| Width               | 107.6 mm   |
| Height              | 89.7 mm  |
| Depth               | 54.85 mm   |
| Horizontal pitch    | 6 Div.   |

### PCB design

|               |                   |
|---------------|-------------------|
| PCB thickness | 1.4 mm ... 1.8 mm |
|---------------|-------------------|

### Material specifications

|  |                       |
|--|-----------------------|
| Color (Upper housing part)             | light gray (RAL 7035) |
| Material Upper housing part            | PC                    |
| Flammability rating according to UL 94 | V0                    |

### Environmental and real-life conditions

#### Vibration test

# BC 107,6 OT 1121 KMGY - Upper housing part



2203260

<https://www.phoenixcontact.com/us/products/2203260>

|                        |                             |
|------------------------|-----------------------------|
| Specification          | IEC 60068-2-6:2007-12       |
| Frequency              | 10 - 150 - 10 Hz            |
| Sweep speed            | 1 octave/min                |
| Amplitude              | 0.15 mm (10 Hz ... 58.1 Hz) |
| Acceleration           | 2g (58.1 Hz ... 150 Hz)     |
| Test duration per axis | 2.5 h                       |
| Test directions        | X-, Y- and Z-axis           |

## Glow-wire test

|                  |                        |
|------------------|------------------------|
| Specification    | IEC 60695-2-11:2014-02 |
| Temperature      | 850 °C                 |
| Time of exposure | 30 s                   |

## Mechanical strength / tumbling barrel

|                |                        |
|----------------|------------------------|
| Specification  | IEC 60068-2-31:2008-05 |
| Height of fall | 50 cm                  |
| Frequency      | 50                     |

## Shocks

|                                |                                   |
|--------------------------------|-----------------------------------|
| Specification                  | IEC 60068-2-27:2008-02            |
| Pulse shape                    | Half-sine                         |
| Acceleration                   | 15g                               |
| Shock duration                 | 11 ms                             |
| Number of shocks per direction | 3                                 |
| Test directions                | X-, Y- and Z-axis (pos. and neg.) |

## Degree of protection (IP code)

|               |   |
|---------------|---|
| Specification | IEC 60529:1989-11 + AMD 1:1999-11 + AMD 2:2013-08 |
|---------------|---|

## Ambient conditions

|   |  |
|---|--|
| Max. IP code to attain                  | IP20   |
| Ambient temperature (operation)         | -40 °C ... 105 °C (depending on power dissipation) |
| Ambient temperature (storage/transport) | -40 °C ... 70 °C                                   |
| Ambient temperature (assembly)          | -5 °C ... 100 °C                                   |
| Relative humidity (storage/transport)   | 95 %   |

## PCB data

|                       |                   |
|-----------------------|-------------------|
| Number of PCB holders | 12                |
| Type of PCB mount     | Latching          |
| Thickness of the PCB  | 1.4 mm ... 1.8 mm |

## Mounting

|               |         |
|---------------|---------|
| Mounting type | Snap in |
|---------------|---------|

## Packaging specifications

|                      |                     |
|----------------------|---------------------|
| Type of packaging    | packed in cardboard |
| Outer packaging type | Carton              |

# BC 107,6 OT 1121 KMGY - Upper housing part

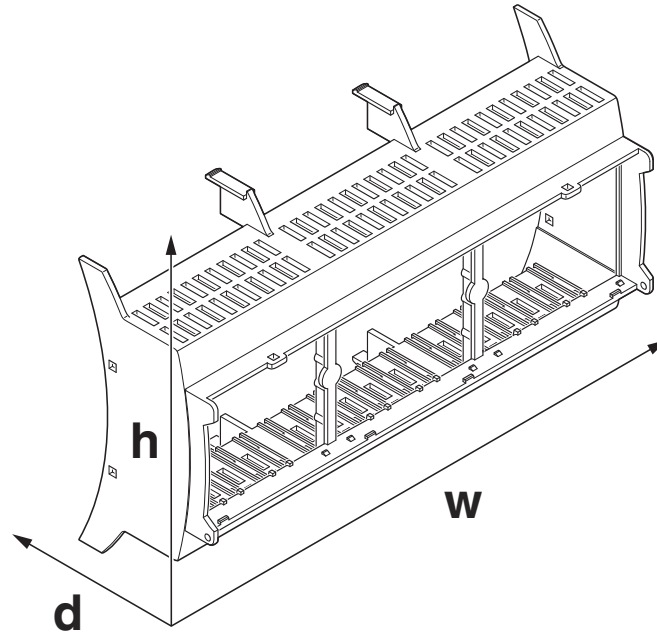
2203260

<https://www.phoenixcontact.com/us/products/2203260>



## Drawings

Dimensional drawing



Schematic figure for illustrating the item dimensions. The figure is not of the desired product. For further details, refer to the product drawings in the "Downloads" tab.

# BC 107,6 OT 1121 KMGY - Upper housing part



2203260

<https://www.phoenixcontact.com/us/products/2203260>

## Approvals

To download certificates, visit the product detail page: <https://www.phoenixcontact.com/us/products/2203260>



**UL Recognized**

Approval ID: E240868

# BC 107,6 OT 1121 KMGY - Upper housing part



2203260

<https://www.phoenixcontact.com/us/products/2203260>

## Classifications

### ECLASS

|             |          |
|-------------|----------|
| ECLASS-13.0 | 27190603 |
| ECLASS-15.0 | 27190603 |

### ETIM

|           |          |
|-----------|----------|
| ETIM 10.0 | EC002779 |
|-----------|----------|

### UNSPSC

|             |          |
|-------------|----------|
| UNSPSC 21.0 | 31261500 |
|-------------|----------|

# BC 107,6 OT 1121 KMGY - Upper housing part



2203260

<https://www.phoenixcontact.com/us/products/2203260>

## Environmental product compliance

### EU RoHS

|   |                    |
|---|--------------------|
| Fulfills EU RoHS substance requirements | Yes, No exemptions |
|---|--------------------|

### China RoHS

|  |  |
|--|--|
| Environment friendly use period (EFUP) | EFUP-E                                   |
|  | No hazardous substances above the limits |

### EU REACH SVHC

|                                     |                            |
|-------------------------------------|----------------------------|
| REACH candidate substance (CAS No.) | No substance above 0.1 wt% |
|-------------------------------------|----------------------------|

Phoenix Contact 2026 © - all rights reserved  
<https://www.phoenixcontact.com>

Phoenix Contact USA  
586 Fulling Mill Road  
Middletown, PA 17057, United States  
(+717) 944-1300  
[info@phoenixcon.com](mailto:info@phoenixcon.com)