

RPI-BC 107,6 DEV-KIT KMGY P10 - Electronics housing

2202875

<https://www.phoenixcontact.com/us/products/2202875>

Please be informed that the data shown in this PDF document is generated from our online catalog. Please find the complete data in the user documentation. Our general terms of use for downloads are valid.



DIN rail housing for Raspberry Pi computers (suitable for Raspberry Pi A+, B+, 2B, 3B, 4B, and 5B); set consisting of upper part and PCB retainer; housing in accordance with DIN 43880

Your advantages

- Tool-free mounting
- Plenty of space for additional circuits on matrix or additional boards
- GPIO strip can be used with PTSM series connection technology
- Easy module-to-module connection, thanks to bus connection via DIN rails

Commercial data

Item number	2202875
Packing unit	10 pc
Minimum order quantity	1 pc
Sales key	AC10
Product key	ACHBAE
GTIN	4055626257228
Weight per piece (including packing)	59.53 g
Weight per piece (excluding packing)	32.56 g
Customs tariff number	85472000
Country of origin	DE

RPI-BC 107,6 DEV-KIT KMGY P10 - Electronics housing

2202875

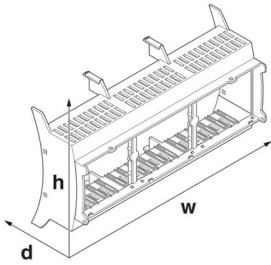
<https://www.phoenixcontact.com/us/products/2202875>

Technical data

Product properties

Product type	Upper housing part
Housing type	DIN rail housing for use in distribution boards in accordance with DIN 43880
Housing type	Modular building installation housings
Housing series	BC

Dimensions

Dimensional drawing	
Width	107.6 mm
Length	89.7 mm

Material specifications

Color (Housing)	light gray (RAL 7035)
Material	PC
Flammability rating according to UL 94	V0
Surface characteristics	untreated

Environmental and real-life conditions

Ambient conditions

Max. IP code to attain	IP20
Ambient temperature (operation)	-40 °C ... 105 °C (depending on power dissipation)
Ambient temperature (storage/transport)	-40 °C ... 70 °C
Ambient temperature (assembly)	-5 °C ... 100 °C
Relative humidity (storage/transport)	95 %

Mounting

Mounting type	Snap in
---------------	---------

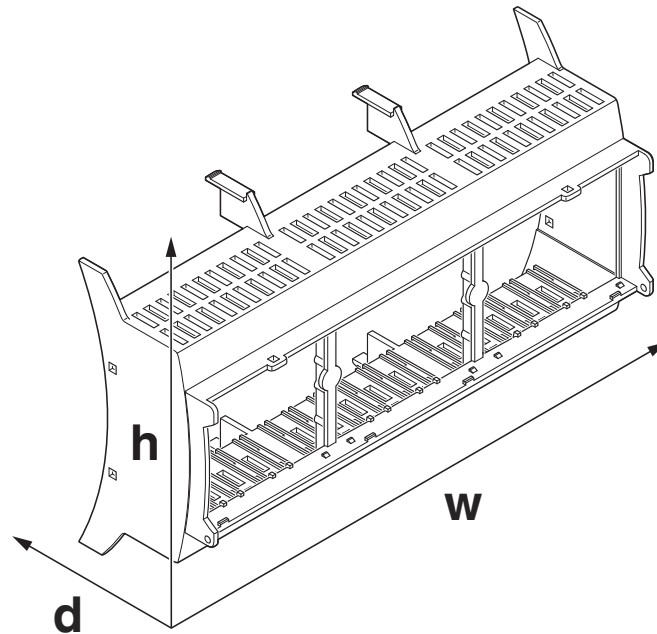
RPI-BC 107,6 DEV-KIT KMGY P10 - Electronics housing

2202875

<https://www.phoenixcontact.com/us/products/2202875>

Drawings

Dimensional drawing



RPI-BC 107,6 DEV-KIT KMGY P10 - Electronics housing



2202875

<https://www.phoenixcontact.com/us/products/2202875>

Approvals

To download certificates, visit the product detail page: <https://www.phoenixcontact.com/us/products/2202875>



UL Recognized

Approval ID: E240868

RPI-BC 107,6 DEV-KIT KMGY P10 - Electronics housing



2202875

<https://www.phoenixcontact.com/us/products/2202875>

Classifications

ECLASS

ECLASS-13.0	27190201
ECLASS-15.0	27190201

ETIM

ETIM 10.0	EC001031
-----------	----------

UNSPSC

UNSPSC 21.0	31261500
-------------	----------

RPI-BC 107,6 DEV-KIT KMGY P10 - Electronics housing



2202875

<https://www.phoenixcontact.com/us/products/2202875>

Environmental product compliance

EU RoHS

Fulfills EU RoHS substance requirements	Yes, No exemptions
---	--------------------

China RoHS

Environment friendly use period (EFUP)	EFUP-E
	No hazardous substances above the limits

EU REACH SVHC

REACH candidate substance (CAS No.)	No substance above 0.1 wt%
-------------------------------------	----------------------------

Phoenix Contact 2026 © - all rights reserved
<https://www.phoenixcontact.com>

Phoenix Contact USA
586 Fulling Mill Road
Middletown, PA 17057, United States
(+717) 944-1300
info@phoenixcon.com