

# ME MAX 35 MT CL G 2-2 KMGY - Intermediate element



2202872

<https://www.phoenixcontact.com/us/products/2202872>

Please be informed that the data shown in this PDF document is generated from our online catalog. Please find the complete data in the user documentation. Our general terms of use for downloads are valid.



DIN rail housing, Intermediate element, tall design, with vents, width: 17.6 mm, height: 99 mm, depth: 112.85 mm, color: light gray (similar RAL 7035), cross connection: without bus connector

## Your advantages

- Easy installation
- Variety of connection technology
- Can be mounted on the DIN rail

## Commercial data

|                                      |                                |
|--------------------------------------|--------------------------------|
| Item number                          | 2202872                        |
| Packing unit                         | 50 pc                          |
| Minimum order quantity               | 50 pc                          |
| Note                                 | Made to order (non-returnable) |
| Sales key                            | AC22                           |
| Product key                          | ACHABZ                         |
| GTIN                                 | 4055626383231                  |
| Weight per piece (including packing) | 19.826 g                       |
| Weight per piece (excluding packing) | 19.826 g                       |
| Customs tariff number                | 85389099                       |
| Country of origin                    | DE                             |

# ME MAX 35 MT CL G 2-2 KMGY - Intermediate element

2202872

<https://www.phoenixcontact.com/us/products/2202872>

## Technical data

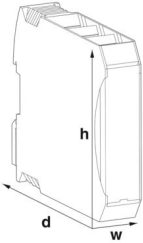
### Notes

|               |   |
|---------------|---|
| Assembly note | Please observe the application note in the download area. |
|---------------|---|

### Product properties

|                                   |  |
|-----------------------------------|--|
| Product type                      | Complete housing center part           |
| Housing type                      | DIN rail housing                       |
| Housing type                      | Modular housings                       |
| Housing series                    | ME-MAX                                 |
| Product family                    | ME MAX 35..                            |
| Max. number of positions          | 20 (pitch: 3.5 mm)<br>16 (pitch: 5 mm) |
| Number of rows                    | 2<br>2                                 |
| Number (Connection openings)      | 4                                      |
| Ventilation openings present      | yes                                    |
| Anzahl der Etagen Housing (Makro) | 2 (Both sides)                         |

### Dimensions

|                                 |   |
|---------------------------------|---|
| Dimensional drawing             |  |
| Width                           | 17.6 mm   |
| Height                          | 99 mm   |
| Depth                           | 112.85 mm   |
| Depth from top edge of DIN rail | 107 mm  |

### Material specifications

|  |                       |
|--|-----------------------|
| Color (Intermediate element)           | light gray (RAL 7035) |
| Material Intermediate element          | PA                    |
| Flammability rating according to UL 94 | V0                    |
| CTI according to IEC 60112             | 600                   |

### Environmental and real-life conditions

#### Ambient conditions

|                                 |  |
|---------------------------------|--|
| Max. IP code to attain          | IP20   |
| Ambient temperature (operation) | -40 °C ... 105 °C (depending on power dissipation) |

# ME MAX 35 MT CL G 2-2 KMGY - Intermediate element



2202872

<https://www.phoenixcontact.com/us/products/2202872>

|   |                  |
|---|------------------|
| Ambient temperature (storage/transport) | -40 °C ... 55 °C |
| Ambient temperature (assembly)          | -5 °C ... 100 °C |
| Relative humidity (storage/transport)   | 80 %             |

## PCB data

|                   |          |
|-------------------|----------|
| Type of PCB mount | Latching |
|-------------------|----------|

## Mounting

|               |                                    |
|---------------|------------------------------------|
| Mounting type | Latching with intermediate element |
|---------------|------------------------------------|

## Packaging specifications

|                      |                     |
|----------------------|---------------------|
| Type of packaging    | packed in cardboard |
| Outer packaging type | Carton              |

# ME MAX 35 MT CL G 2-2 KMGY - Intermediate element



2202872

<https://www.phoenixcontact.com/us/products/2202872>

## Drawings

Dimensional drawing



Schematic figure for illustrating the item dimensions. The figure is not of the desired product. For further details, refer to the product drawings in the "Downloads" tab.

# ME MAX 35 MT CL G 2-2 KMGY - Intermediate element



2202872

<https://www.phoenixcontact.com/us/products/2202872>

## Approvals

To download certificates, visit the product detail page: <https://www.phoenixcontact.com/us/products/2202872>



**UL Recognized**

Approval ID: E240868

# ME MAX 35 MT CL G 2-2 KMGY - Intermediate element



2202872

<https://www.phoenixcontact.com/us/products/2202872>

## Classifications

### ECLASS

|             |          |
|-------------|----------|
| ECLASS-13.0 | 27190604 |
| ECLASS-15.0 | 27190604 |

### ETIM

|           |          |
|-----------|----------|
| ETIM 10.0 | EC002779 |
|-----------|----------|

### UNSPSC

|             |          |
|-------------|----------|
| UNSPSC 21.0 | 31261500 |
|-------------|----------|

# ME MAX 35 MT CL G 2-2 KMGY - Intermediate element



2202872

<https://www.phoenixcontact.com/us/products/2202872>

## Environmental product compliance

### EU RoHS

|   |                    |
|---|--------------------|
| Fulfills EU RoHS substance requirements | Yes, No exemptions |
|---|--------------------|

### China RoHS

|  |  |
|--|--|
| Environment friendly use period (EFUP) | EFUP-E                                   |
|  | No hazardous substances above the limits |

### EU REACH SVHC

|                                     |                            |
|-------------------------------------|----------------------------|
| REACH candidate substance (CAS No.) | No substance above 0.1 wt% |
|-------------------------------------|----------------------------|

### EF3.1 Climate Change

|         |               |
|---------|---------------|
| CO2e kg | 0.121 kg CO2e |
|---------|---------------|

Phoenix Contact 2026 © - all rights reserved  
<https://www.phoenixcontact.com>

Phoenix Contact USA  
586 Fulling Mill Road  
Middletown, PA 17057, United States  
(+717) 944-1300  
[info@phoenixcon.com](mailto:info@phoenixcon.com)