

ME MAX GEH-L U-U1 KMGY - Housing half shell



2202867

<https://www.phoenixcontact.com/us/products/2202867>

Please be informed that the data shown in this PDF document is generated from our online catalog. Please find the complete data in the user documentation. Our general terms of use for downloads are valid.



DIN rail housing, Housing half shell (left), tall design, with vents, width: 6.3 mm, height: 99 mm, depth: 112.85 mm, color: light gray (similar RAL 7035), cross connection: DIN rail bus connector (optional)

Your advantages

- Easy installation
- Variety of connection technology

Commercial data

Item number	2202867
Packing unit	10 pc
Minimum order quantity	10 pc
Product key	ACHABZ
GTIN	4055626232751
Weight per piece (including packing)	20.71 g
Weight per piece (excluding packing)	20.59 g
Country of origin	DE

ME MAX GEH-L U-U1 KMGY - Housing half shell



2202867

<https://www.phoenixcontact.com/us/products/2202867>

Technical data

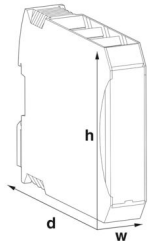
Notes

Assembly note	Please observe the application note in the download area.
Recommendation	Material of contact pads for bus connector, galvanic gold (hard gold)

Product properties

Product type	Housing half shells
Housing type	DIN rail housing
Housing type	Modular housings
Housing series	ME-MAX
Product family	ME MAX.. U-U1
Number of rows	1
Number (Connection openings)	1
Ventilation openings present	yes
Anzahl der Etagen Housing (Makro)	0 (Top) / 1 (Bottom)

Dimensions

Dimensional drawing	
Width	6.3 mm
Height	99 mm
Depth	112.85 mm
Depth from top edge of DIN rail	107 mm

PCB design

PCB thickness	1.4 mm ... 1.8 mm
---------------	-------------------

Material specifications

Color (Housing half-shell)	light gray (RAL 7035)
Material Housing half-shell	PA
Flammability rating according to UL 94	V0
CTI according to IEC 60112	600
Surface characteristics	untreated

Environmental and real-life conditions

Ambient conditions

ME MAX GEH-L U-U1 KMGY - Housing half shell



2202867

<https://www.phoenixcontact.com/us/products/2202867>

Max. IP code to attain	IP20
Ambient temperature (operation)	-40 °C ... 105 °C (depending on power dissipation)
Ambient temperature (storage/transport)	-40 °C ... 55 °C
Ambient temperature (assembly)	-5 °C ... 100 °C
Relative humidity (storage/transport)	80 %

PCB data

Type of PCB mount	Latching
Thickness of the PCB	1.4 mm ... 1.8 mm

Mounting

Mounting type	Latching with housing half-shell or intermediate element
---------------	--

Drawings

Dimensional drawing



Schematic figure for illustrating the item dimensions. The figure is not of the desired product. For further details, refer to the product drawings in the "Downloads" tab.

ME MAX GEH-L U-U1 KMGY - Housing half shell



2202867

<https://www.phoenixcontact.com/us/products/2202867>

Approvals

To download certificates, visit the product detail page: <https://www.phoenixcontact.com/us/products/2202867>



UL Recognized

Approval ID: E240868

ME MAX GEH-L U-U1 KMGY - Housing half shell



2202867

<https://www.phoenixcontact.com/us/products/2202867>

Classifications

ECLASS

ECLASS-13.0	27190602
ECLASS-15.0	27190602

ETIM

ETIM 10.0	EC002779
-----------	----------

UNSPSC

UNSPSC 21.0	31261500
-------------	----------

ME MAX GEH-L U-U1 KMGY - Housing half shell



2202867

<https://www.phoenixcontact.com/us/products/2202867>

Environmental product compliance

EU RoHS

Fulfills EU RoHS substance requirements	Yes, No exemptions
---	--------------------

China RoHS

Environment friendly use period (EFUP)	EFUP-E
	No hazardous substances above the limits

EU REACH SVHC

REACH candidate substance (CAS No.)	No substance above 0.1 wt%
-------------------------------------	----------------------------

Phoenix Contact 2026 © - all rights reserved
<https://www.phoenixcontact.com>

Phoenix Contact USA
586 Fulling Mill Road
Middletown, PA 17057, United States
(+717) 944-1300
info@phoenixcon.com