

# ME-IO 18,8 LC 10U 7035 - Housing cover



2202626

<https://www.phoenixcontact.com/us/products/2202626>

Please be informed that the data shown in this PDF document is generated from our online catalog. Please find the complete data in the user documentation. Our general terms of use for downloads are valid.



DIN rail housing, 10U L design, Housing cover, width: 20.94 mm, height: 114.1 mm, depth: 30.1 mm, color: light gray (similar RAL 7035)

## Your advantages

- Tool-free mounting
- Plastic in accordance with UL94 V0: for more rigorous flammability requirements
- Can be machined for application-specific connection technology
- Cover for fully closed device fronts

## Commercial data

Item number	2202626
Packing unit	30 pc
Minimum order quantity	30 pc
Sales key	AC15
Product key	ACHEBB
GTIN	4055626199283
Weight per piece (including packing)	10.31 g
Weight per piece (excluding packing)	9.59 g
Customs tariff number	85389099
Country of origin	CN

## Technical data

### Notes

Assembly note	Please observe the application note in the download area.
---------------	---

### Product properties

Product type	Upper housing part
Housing type	DIN rail housing
Housing type	Multifunctional housings
Housing series	ME-IO
Product family	ME-IO 18,8
Ventilation openings present	no

### Dimensions

Width	20.94 mm
Height	114.1 mm
Depth	30.1 mm

### Material specifications

Color (Upper housing part)	light gray (RAL 7035)
Material Upper housing part	PA
Flammability rating according to UL 94	V0
CTI according to IEC 60112	600
Surface characteristics	untreated

### Environmental and real-life conditions

#### Vibration test

Specification	IEC 60068-2-6:2007-12
Frequency	10 - 150 - 10 Hz
Sweep speed	1 octave/min
Amplitude	0.15 mm (10 Hz ... 58.1 Hz)
Acceleration	2g (58.1 Hz ... 150 Hz)
Test duration per axis	2.5 h
Test directions	X-, Y- and Z-axis

#### Glow-wire test

Specification	IEC 60695-2-11:2014-02
Temperature	850 °C
Time of exposure	30 s

#### Thermal stability / ball thrust test

Specification	IEC 60695-10-2:2014-02
Temperature	125 °C
Test duration	1 h

# ME-IO 18,8 LC 10U 7035 - Housing cover



2202626

<https://www.phoenixcontact.com/us/products/2202626>

Force	20 N
-------	------

## Mechanical strength / tumbling barrel

Specification	IEC 60068-2-31:2008-05
Height of fall	50 cm
Frequency	50

## Shocks

Specification	IEC 60068-2-27:2008-02
Pulse shape	Semi-sinusoidal
Acceleration	15g
Shock duration	11 ms
Number of shocks per direction	3
Test directions	X-, Y- and Z-axis (pos. and neg.)

## Test for substances that would hinder coating with paint or varnish

Specification	VDMA 24364:2018-05
---------------	--------------------

## Degree of protection (IP code)

Specification	IEC 60529:1989-11 + AMD 1:1999-11 + AMD 2:2013-08
---------------	---

## Ambient conditions

Max. IP code to attain	IP20
Ambient temperature (operation)	-40 °C ... 105 °C (depending on power dissipation)
Ambient temperature (storage/transport)	-40 °C ... 55 °C
Ambient temperature (assembly)	-5 °C ... 100 °C
Relative humidity (storage/transport)	80 %

## Mounting

Mounting type	Latching with lower housing part
---------------	----------------------------------

## Packaging specifications

Type of packaging	packed in cardboard
Outer packaging type	Carton

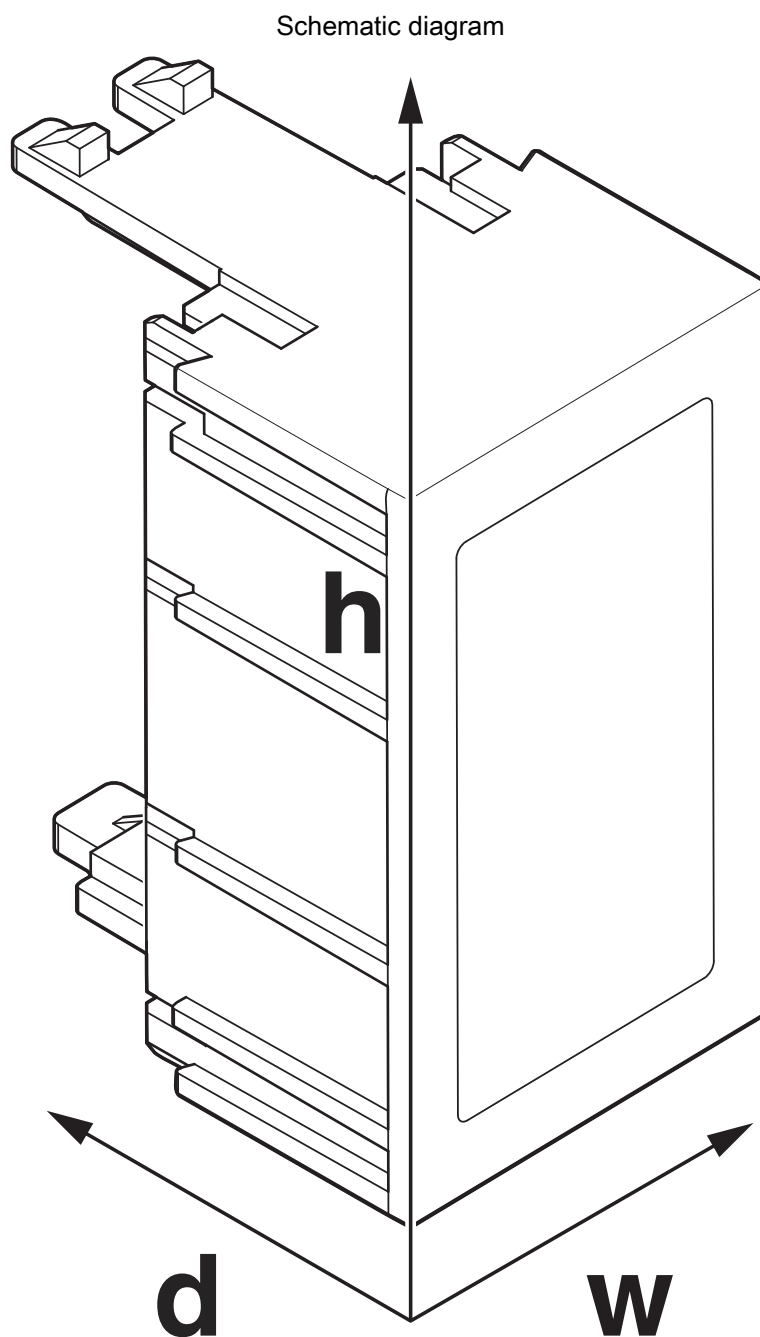
# ME-IO 18,8 LC 10U 7035 - Housing cover

2202626

<https://www.phoenixcontact.com/us/products/2202626>



## Drawings



Schematic figure for illustrating the item dimensions. The figure is not of the desired product. For further details, refer to the product drawings in the "Downloads" tab.

# ME-IO 18,8 LC 10U 7035 - Housing cover



2202626

<https://www.phoenixcontact.com/us/products/2202626>

## Approvals

To download certificates, visit the product detail page: <https://www.phoenixcontact.com/us/products/2202626>



**UL Recognized**

Approval ID: E240868

# ME-IO 18,8 LC 10U 7035 - Housing cover



2202626

<https://www.phoenixcontact.com/us/products/2202626>

## Classifications

### ECLASS

ECLASS-13.0	27190603
ECLASS-15.0	27190603

### ETIM

ETIM 10.0	EC002779
-----------	----------

### UNSPSC

UNSPSC 21.0	31261500
-------------	----------

# ME-IO 18,8 LC 10U 7035 - Housing cover



2202626

<https://www.phoenixcontact.com/us/products/2202626>

## Environmental product compliance

### EU RoHS

Fulfills EU RoHS substance requirements	Yes, No exemptions
---	--------------------

### China RoHS

Environment friendly use period (EFUP)	EFUP-E
	No hazardous substances above the limits

### EU REACH SVHC

REACH candidate substance (CAS No.)	No substance above 0.1 wt%
-------------------------------------	----------------------------

Phoenix Contact 2026 © - all rights reserved  
<https://www.phoenixcontact.com>

Phoenix Contact USA  
586 Fulling Mill Road  
Middletown, PA 17057, United States  
(+717) 944-1300  
[info@phoenixcon.com](mailto:info@phoenixcon.com)