

ME-IO 18,8 C 2U MC10 7035 - Housing cover



2202582

<https://www.phoenixcontact.com/us/products/2202582>

Please be informed that the data shown in this PDF document is generated from our online catalog. Please find the complete data in the user documentation. Our general terms of use for downloads are valid.



DIN rail housing, 2U for marking lid, Housing cover, width: 18.9 mm, height: 21.9 mm, depth: 26 mm, color: light gray (similar RAL 7035)

Your advantages

- Tool-free mounting
- Plastic in accordance with UL94 V0: for more rigorous flammability requirements
- Can be machined for application-specific connection technology
- Cover for fully closed device fronts

Commercial data

| | |
|--------------------------------------|---------------|
| Item number | 2202582 |
| Packing unit | 30 pc |
| Minimum order quantity | 30 pc |
| Sales key | AC15 |
| Product key | ACHEBB |
| GTIN | 4055626146232 |
| Weight per piece (including packing) | 2.935 g |
| Weight per piece (excluding packing) | 2.79 g |
| Customs tariff number | 85389099 |
| Country of origin | CN |

ME-IO 18,8 C 2U MC10 7035 - Housing cover



2202582

<https://www.phoenixcontact.com/us/products/2202582>

Technical data

Notes

| | |
|---------------|---|
| Assembly note | Please observe the application note in the download area. |
|---------------|---|

Product properties

| | |
|------------------------------|--------------------------|
| Product type | Upper housing part |
| Housing type | DIN rail housing |
| Housing type | Multifunctional housings |
| Housing series | ME-IO |
| Product family | ME-IO 18,8 |
| Ventilation openings present | no |

Dimensions

| | |
|--------|---------|
| Width | 18.9 mm |
| Height | 21.9 mm |
| Depth | 26 mm |

Material specifications

| | |
|--|-----------------------|
| Color (Housing cover) | light gray (RAL 7035) |
| Material Housing cover | PA |
| Flammability rating according to UL 94 | V0 |
| CTI according to IEC 60112 | 600 |

Environmental and real-life conditions

Vibration test

| | |
|------------------------|-----------------------------|
| Specification | IEC 60068-2-6:2007-12 |
| Frequency | 10 - 150 - 10 Hz |
| Sweep speed | 1 octave/min |
| Amplitude | 0.15 mm (10 Hz ... 58.1 Hz) |
| Acceleration | 2g (58.1 Hz ... 150 Hz) |
| Test duration per axis | 2.5 h |
| Test directions | X-, Y- and Z-axis |

Glow-wire test

| | |
|------------------|------------------------|
| Specification | IEC 60695-2-11:2014-02 |
| Temperature | 850 °C |
| Time of exposure | 30 s |

Thermal stability / ball thrust test

| | |
|---------------|------------------------|
| Specification | IEC 60695-10-2:2014-02 |
| Temperature | 125 °C |
| Test duration | 1 h |
| Force | 20 N |

ME-IO 18,8 C 2U MC10 7035 - Housing cover



2202582

<https://www.phoenixcontact.com/us/products/2202582>

Mechanical strength / tumbling barrel

| | |
|----------------|------------------------|
| Specification | IEC 60068-2-31:2008-05 |
| Height of fall | 50 cm |
| Frequency | 50 |

Shocks

| | |
|--------------------------------|-----------------------------------|
| Specification | IEC 60068-2-27:2008-02 |
| Pulse shape | Semi-sinusoidal |
| Acceleration | 15g |
| Shock duration | 11 ms |
| Number of shocks per direction | 3 |
| Test directions | X-, Y- and Z-axis (pos. and neg.) |

Test for substances that would hinder coating with paint or varnish

| | |
|---------------|--------------------|
| Specification | VDMA 24364:2018-05 |
|---------------|--------------------|

Degree of protection (IP code)

| | |
|---------------|---|
| Specification | IEC 60529:1989-11 + AMD 1:1999-11 + AMD 2:2013-08 |
|---------------|---|

Ambient conditions

| | |
|---|--|
| Max. IP code to attain | IP20 |
| Ambient temperature (operation) | -40 °C ... 105 °C (depending on power dissipation) |
| Ambient temperature (storage/transport) | -40 °C ... 55 °C |
| Ambient temperature (assembly) | -5 °C ... 100 °C |
| Relative humidity (storage/transport) | 80 % |

Mounting

| | |
|---------------|----------------------------------|
| Mounting type | Latching with lower housing part |
|---------------|----------------------------------|

Packaging specifications

| | |
|----------------------|---------------------|
| Type of packaging | packed in cardboard |
| Outer packaging type | Carton |

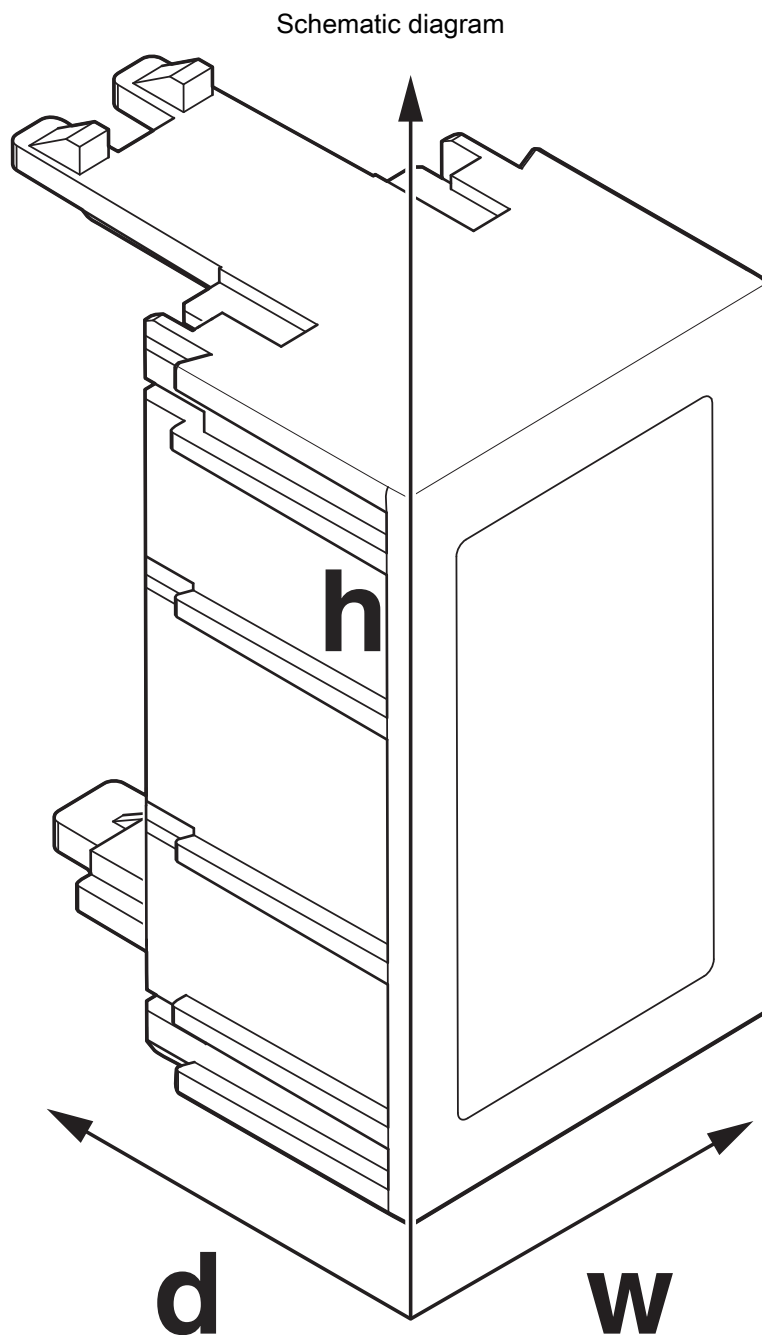
ME-IO 18,8 C 2U MC10 7035 - Housing cover

2202582

<https://www.phoenixcontact.com/us/products/2202582>



Drawings



Schematic figure for illustrating the item dimensions. The figure is not of the desired product. For further details, refer to the product drawings in the "Downloads" tab.

ME-IO 18,8 C 2U MC10 7035 - Housing cover



2202582

<https://www.phoenixcontact.com/us/products/2202582>

Approvals

To download certificates, visit the product detail page: <https://www.phoenixcontact.com/us/products/2202582>



UL Recognized

Approval ID: E240868

ME-IO 18,8 C 2U MC10 7035 - Housing cover



2202582

<https://www.phoenixcontact.com/us/products/2202582>

Classifications

ECLASS

| | |
|-------------|----------|
| ECLASS-13.0 | 27190603 |
| ECLASS-15.0 | 27190603 |

ETIM

| | |
|-----------|----------|
| ETIM 10.0 | EC002779 |
|-----------|----------|

UNSPSC

| | |
|-------------|----------|
| UNSPSC 21.0 | 31261500 |
|-------------|----------|

ME-IO 18,8 C 2U MC10 7035 - Housing cover



2202582

<https://www.phoenixcontact.com/us/products/2202582>

Environmental product compliance

EU RoHS

| | |
|---|--------------------|
| Fulfills EU RoHS substance requirements | Yes, No exemptions |
|---|--------------------|

China RoHS

| | |
|--|--|
| Environment friendly use period (EFUP) | EFUP-E |
| | No hazardous substances above the limits |

EU REACH SVHC

| | |
|-------------------------------------|----------------------------|
| REACH candidate substance (CAS No.) | No substance above 0.1 wt% |
|-------------------------------------|----------------------------|

EF3.1 Climate Change

| | |
|---------|---------------|
| CO2e kg | 0.037 kg CO2e |
|---------|---------------|

Phoenix Contact 2026 © - all rights reserved
<https://www.phoenixcontact.com>

Phoenix Contact USA
586 Fulling Mill Road
Middletown, PA 17057, United States
(+717) 944-1300
info@phoenixcon.com