

# ME MAX 22,5 2-2 DEV-KIT KMGY - Housing set



2202524

<https://www.phoenixcontact.com/us/products/2202524>

Please be informed that the data shown in this PDF document is generated from our online catalog. Please find the complete data in the user documentation. Our general terms of use for downloads are valid.



DEV-KIT ME MAX: contains 1 x ME MAX 22,5 2-2 housing and pluggable connection technology (4x MSTBO with 4x MSTBT), supplied in individual parts

## Your advantages

- Easy installation
- Variety of connection technology

## Commercial data

Item number	2202524
Packing unit	1 pc
Minimum order quantity	1 pc
Sales key	AC08
Product key	ACHABD
GTIN	4055626141749
Weight per piece (including packing)	116.2 g
Weight per piece (excluding packing)	113 g
Customs tariff number	85366990
Country of origin	DE

# ME MAX 22,5 2-2 DEV-KIT KMGY - Housing set

2202524

<https://www.phoenixcontact.com/us/products/2202524>

## Set consists of

### ME MAX 22,5 2-2 KMGY - Electronics housing

2713625

<https://www.phoenixcontact.com/us/products/2713625>



DIN rail housing, Complete housing with metal foot catch, tall design, with vents, width: 22.6 mm, height: 99 mm, depth: 113.65 mm, color: light gray (similar RAL 7035), cross connection: DIN rail bus connector (optional), number of positions cross connector: 5

---

### MSTBO 2,5/ 4-G1PR GY7035 - PCB header

2200326

<https://www.phoenixcontact.com/us/products/2200326>



PCB headers, nominal cross section: 2.5 mm<sup>2</sup>, color: light gray, nominal current: 16 A, rated voltage (III/2): 320 V, contact surface: Sn, contact connection type: Pin, number of rows: 1, number of positions: 4, product range: MSTBO 2,5/-G1PR, pitch: 5 mm, mounting: Wave soldering, pin layout: Linear pinning, solder pin [P]: 3.5 mm, number of solder pins per potential: 1, plug-in system: COMBICON MSTB 2,5 advanced, Pin connector pattern alignment: Orthogonal, locking: without, type of packaging: packed in cardboard, Product with pin output on right side

# ME MAX 22,5 2-2 DEV-KIT KMGY - Housing set



2202524

<https://www.phoenixcontact.com/us/products/2202524>

## MSTBO 2,5/ 4-G1PL GY7035 - PCB header

2200325

<https://www.phoenixcontact.com/us/products/2200325>



PCB headers, nominal cross section: 2.5 mm<sup>2</sup>, color: light gray, nominal current: 16 A, rated voltage (III/2): 320 V, contact surface: Sn, contact connection type: Pin, number of potentials: 4, number of rows: 1, number of positions: 4, number of connections: 4, product range: MSTBO 2,5/..-G1PL, pitch: 5 mm, mounting: Wave soldering, pin layout: Linear pinning, solder pin [P]: 3.5 mm, number of solder pins per potential: 1, plug-in system: COMBICON MSTB 2,5 advanced, Pin connector pattern alignment: Orthogonal, locking: without, type of packaging: packed in cardboard, Product with pin output on left side

## MSTBT 2,5 HC/ 4-STP GY7035 - PCB connector

2200332

<https://www.phoenixcontact.com/us/products/2200332>



PCB connector, nominal cross section: 2.5 mm<sup>2</sup>, color: light gray, nominal current: 16 A (see derating curve), rated voltage (III/2): 320 V, contact surface: Sn, contact connection type: Socket, number of potentials: 4, number of rows: 1, number of positions: 4, number of connections: 4, product range: MSTBT 2,5 HC/..-STP, pitch: 5 mm, connection method: Screw connection with tension sleeve, conductor/PCB connection direction: 0 °, locking clip: - Locking clip, plug-in system: COMBICON MSTB 2,5 advanced, locking: without, mounting method: without, type of packaging: packed in cardboard

# ME MAX 22,5 2-2 DEV-KIT KMGY - Housing set

2202524

<https://www.phoenixcontact.com/us/products/2202524>



## ME MAX B-22,5 KMGY - Filler plug

2707929

<https://www.phoenixcontact.com/us/products/2707929>



DIN rail housing, Filler plug for unoccupied terminal points, width: 20 mm, height: 21.6 mm, depth: 8.1 mm, color: light gray (similar RAL 7035)

# ME MAX 22,5 2-2 DEV-KIT KMGY - Housing set



2202524

<https://www.phoenixcontact.com/us/products/2202524>

## Technical data

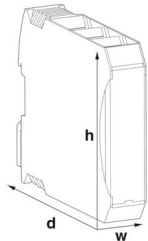
### Notes

Assembly note	Please observe the application note in the download area.
Recommendation	Material of contact pads for bus connector, galvanic gold (hard gold)

### Product properties

Product type	Stackable housing set
Housing type	DIN rail housing
Housing type	Modular housings
Housing series	ME-MAX
Product family	ME MAX 22,5..
Max. number of positions	16 (pitch: 5 mm)
Number of rows	2
Ventilation openings present	yes
Anzahl der Etagen Housing (Makro)	2 (Both sides)

### Dimensions

Dimensional drawing	
Width	22.6 mm
Height	99 mm
Depth	113.65 mm
Depth from top edge of DIN rail	107 mm

### PCB design

PCB thickness	1.4 mm ... 1.8 mm
---------------	-------------------

### Material specifications

Color (Housing)	light gray (RAL 7035)
Material	PA
Flammability rating according to UL 94	V0
CTI according to IEC 60112	600

### Environmental and real-life conditions

#### Ambient conditions

Max. IP code to attain	IP20
------------------------	------

# ME MAX 22,5 2-2 DEV-KIT KMGY - Housing set



2202524

<https://www.phoenixcontact.com/us/products/2202524>

Ambient temperature (operation)	-40 °C ... 105 °C (depending on power dissipation)
---------------------------------	--

## PCB data

Type of PCB mount	Latching
Thickness of the PCB	1.4 mm ... 1.8 mm

## Mounting

Mounting type	DIN rail mounting
---------------	-------------------

# ME MAX 22,5 2-2 DEV-KIT KMGY - Housing set

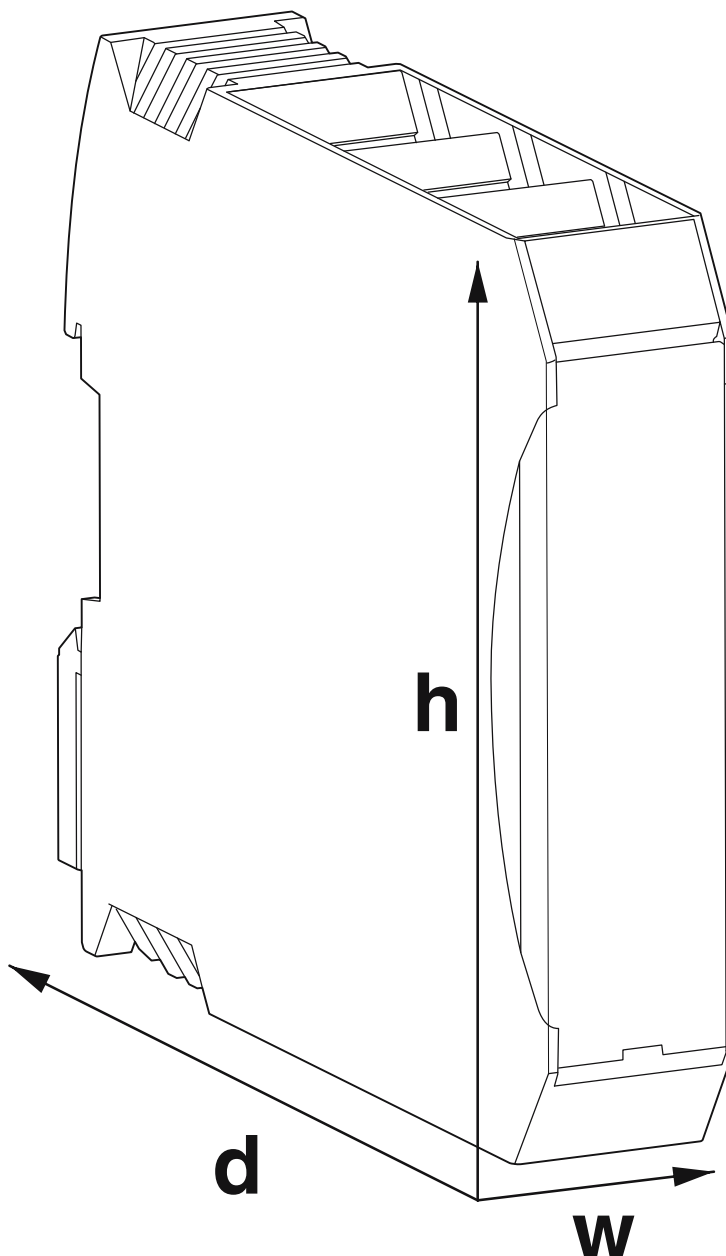


2202524

<https://www.phoenixcontact.com/us/products/2202524>

## Drawings

Dimensional drawing



Schematic view

# ME MAX 22,5 2-2 DEV-KIT KMGY - Housing set



2202524

<https://www.phoenixcontact.com/us/products/2202524>

## Classifications

### ECLASS

ECLASS-13.0	27190301
ECLASS-15.0	27190301

### ETIM

ETIM 10.0	EC001031
-----------	----------

### UNSPSC

UNSPSC 21.0	31261500
-------------	----------

# ME MAX 22,5 2-2 DEV-KIT KMGY - Housing set



2202524

<https://www.phoenixcontact.com/us/products/2202524>

## Environmental product compliance

### EU RoHS

Fulfills EU RoHS substance requirements	Yes, No exemptions
---	--------------------

### China RoHS

Environment friendly use period (EFUP)	EFUP-E
	No hazardous substances above the limits

### EU REACH SVHC

REACH candidate substance (CAS No.)	No substance above 0.1 wt%
-------------------------------------	----------------------------

### EF3.1 Climate Change

CO2e kg	0.595 kg CO2e
---------	---------------

Phoenix Contact 2026 © - all rights reserved  
<https://www.phoenixcontact.com>

Phoenix Contact USA  
586 Fulling Mill Road  
Middletown, PA 17057, United States  
(+717) 944-1300  
[info@phoenixcon.com](mailto:info@phoenixcon.com)