

BC 161,6 OT 001101 BK - Upper housing part



2202467

<https://www.phoenixcontact.com/us/products/2202467>

Please be informed that the data shown in this PDF document is generated from our online catalog. Please find the complete data in the user documentation. Our general terms of use for downloads are valid.



DIN rail housing for use in distribution boards in accordance with DIN 43880, modular upper housing part, width: 161.6 mm, height: 89.7 mm, depth: 54.85 mm, color: black (similar RAL 9005)

Your advantages

- Coordinated housing and connection system for faster device development
- Individual online configuration for diverse applications in building automation
- Variety of connection technology
- Can be mounted on the DIN rail or the wall
- With DIN-rail-mountable bus connector and power connector system as an option
- Tool-free mounting
- Available in overall widths from 1 ... 9 width units (17.8 mm ... 161.6 mm)
- Compliant with DIN EN 43880

Commercial data

Item number	2202467
Packing unit	10 pc
Minimum order quantity	10 pc
Note	Made to order (non-returnable)
Sales key	AC10
Product key	ACHBAB
GTIN	4055626122519
Weight per piece (including packing)	36.235 g
Weight per piece (excluding packing)	36.235 g
Customs tariff number	84879090
Country of origin	DE

BC 161,6 OT 001101 BK - Upper housing part



2202467

<https://www.phoenixcontact.com/us/products/2202467>

Technical data

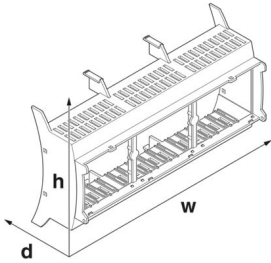
Notes

Assembly note	Please observe the application note in the download area.
---------------	---

Product properties

Product type	Upper housing part
Housing type	DIN rail housing for use in distribution boards in accordance with DIN 43880
Housing type	Modular building installation housings
Housing series	BC
Product family	BC 161,6..
Ventilation openings present	yes
Anzahl der Etagen Housing (Makro)	1 (Both sides)

Dimensions

Dimensional drawing	
Width	161.6 mm
Height	89.7 mm
Depth	54.85 mm
Horizontal pitch	9 Div.

PCB design

PCB thickness	1.4 mm ... 1.8 mm
---------------	-------------------

Material specifications

Color (Upper housing part)	black (RAL 9005)
Material Upper housing part	PC
Flammability rating according to UL 94	V0
Surface characteristics	untreated

Environmental and real-life conditions

Vibration test

Specification	IEC 60068-2-6:2007-12
Frequency	10 - 150 - 10 Hz
Sweep speed	1 octave/min
Amplitude	0.15 mm (10 Hz ... 58.1 Hz)

BC 161,6 OT 001101 BK - Upper housing part



2202467

<https://www.phoenixcontact.com/us/products/2202467>

Acceleration	2g (58.1 Hz ... 150 Hz)
Test duration per axis	2.5 h
Test directions	X-, Y- and Z-axis

Glow-wire test

Specification	IEC 60695-2-11:2014-02
Temperature	850 °C
Time of exposure	30 s

Mechanical strength / tumbling barrel

Specification	IEC 60068-2-31:2008-05
Height of fall	50 cm
Frequency	50

Shocks

Specification	IEC 60068-2-27:2008-02
Pulse shape	Half-sine
Acceleration	15g
Shock duration	11 ms
Number of shocks per direction	3
Test directions	X-, Y- and Z-axis (pos. and neg.)

Degree of protection (IP code)

Specification	IEC 60529:1989-11 + AMD 1:1999-11 + AMD 2:2013-08
---------------	---

Ambient conditions

Max. IP code to attain	IP20
Ambient temperature (operation)	-40 °C ... 105 °C (depending on power dissipation)
Ambient temperature (storage/transport)	-40 °C ... 70 °C
Ambient temperature (assembly)	-5 °C ... 100 °C
Relative humidity (storage/transport)	95 %

PCB data

Number of PCB holders	18
Type of PCB mount	Latching
Thickness of the PCB	1.4 mm ... 1.8 mm

Mounting

Mounting type	Snap in
---------------	---------

Packaging specifications

Type of packaging	packed in cardboard
Outer packaging type	Carton

BC 161,6 OT 001101 BK - Upper housing part

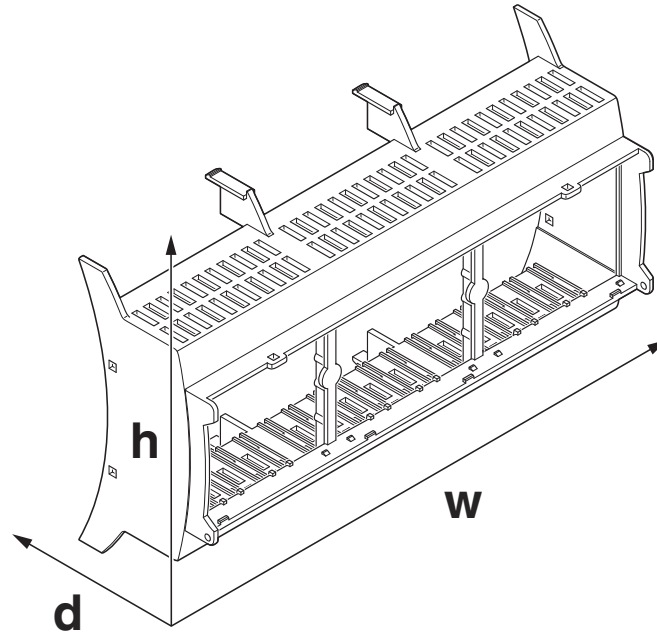
2202467

<https://www.phoenixcontact.com/us/products/2202467>



Drawings

Dimensional drawing



Schematic figure for illustrating the item dimensions. The figure is not of the desired product. For further details, refer to the product drawings in the "Downloads" tab.

BC 161,6 OT 001101 BK - Upper housing part



2202467

<https://www.phoenixcontact.com/us/products/2202467>

Approvals

To download certificates, visit the product detail page: <https://www.phoenixcontact.com/us/products/2202467>



UL Recognized

Approval ID: E240868

BC 161,6 OT 001101 BK - Upper housing part



2202467

<https://www.phoenixcontact.com/us/products/2202467>

Classifications

ECLASS

ECLASS-13.0	27190603
ECLASS-15.0	27190603

UNSPSC

UNSPSC 21.0	31261501
-------------	----------

BC 161,6 OT 001101 BK - Upper housing part



2202467

<https://www.phoenixcontact.com/us/products/2202467>

Environmental product compliance

EU RoHS

Fulfills EU RoHS substance requirements	Yes, No exemptions
---	--------------------

China RoHS

Environment friendly use period (EFUP)	EFUP-E
	No hazardous substances above the limits

EU REACH SVHC

REACH candidate substance (CAS No.)	No substance above 0.1 wt%
-------------------------------------	----------------------------

Phoenix Contact 2026 © - all rights reserved
<https://www.phoenixcontact.com>

Phoenix Contact USA
586 Fulling Mill Road
Middletown, PA 17057, United States
(+717) 944-1300
info@phoenixcon.com