

ME 22,5 OT-1MSTBO GY - Upper housing part



2202442

<https://www.phoenixcontact.com/us/products/2202442>

Please be informed that the data shown in this PDF document is generated from our online catalog. Please find the complete data in the user documentation. Our general terms of use for downloads are valid.

DIN rail housing, Upper housing part for connectors with header, width: 22.6 mm, height: 99 mm, depth: 45.85 mm, color: gray (similar RAL 7042)



Your advantages

- Tool-free mounting
- Available in overall widths from 12.5 mm ... 90 mm, modular extension is possible
- Flammability rating V0 in accordance with UL 94
- Variety of connection technology
- Can be mounted on the DIN rail
- With integrated or DIN-rail-mountable bus connector as an option

Commercial data

Item number	2202442
Packing unit	10 pc
Minimum order quantity	10 pc
Sales key	AC08
Product key	ACHAAD
GTIN	4055626113715
Weight per piece (including packing)	17.72 g
Weight per piece (excluding packing)	13.24 g
Customs tariff number	85389099
Country of origin	DE

ME 22,5 OT-1MSTBO GY - Upper housing part

2202442

<https://www.phoenixcontact.com/us/products/2202442>

Technical data


Notes

Assembly note	Please observe the application note in the download area.
---------------	---

Product properties

Product type	Upper housing part
Housing type	DIN rail housing
Housing series	ME
Product family	ME 22,5..
Number of positions	3 5
Max. number of positions	5 (pitch: 3.5 mm) 4 (pitch: 5 mm) 3 (pitch: 7.25 mm)
Number of rows	1
Number (Connection openings)	1
Ventilation openings present	no
Anzahl der Etagen Housing (Makro)	1 (Single-sided)

Dimensions

Dimensional drawing	
Width	22.6 mm
Height	99 mm
Depth	45.85 mm
Depth from base support surface	38.5 mm

PCB design

PCB thickness	1.4 mm ... 1.8 mm
---------------	-------------------

Material specifications

Color (Upper housing part)	gray (RAL 7042)
Material Upper housing part	PA
Flammability rating according to UL 94	V0
CTI according to IEC 60112	600

Environmental and real-life conditions

ME 22,5 OT-1MSTBO GY - Upper housing part



2202442

<https://www.phoenixcontact.com/us/products/2202442>

Vibration test

Specification	IEC 60068-2-6:2007-12
Frequency	10 - 150 - 10 Hz
Sweep speed	1 octave/min
Amplitude	0.15 mm (10 Hz ... 58.1 Hz)
Acceleration	2g (58.1 Hz ... 150 Hz)
Test duration per axis	2.5 h
Test directions	X-, Y- and Z-axis

Glow-wire test

Specification	IEC 60695-2-11:2014-02
Temperature	850 °C
Time of exposure	30 s

Thermal stability / ball thrust test

Specification	IEC 60695-10-2:2014-02
Temperature	125 °C
Test duration	1 h
Force	20 N

Mechanical strength / tumbling barrel

Specification	IEC 60998-1:2002-12
Height of fall	50 cm
Frequency	10

Shocks

Specification	IEC 60068-2-27:2008-02
Pulse shape	Half-sine
Acceleration	15g
Shock duration	11 ms
Number of shocks per direction	3
Test directions	X-, Y- and Z-axis (pos. and neg.)

Degree of protection (IP code)

Specification	IEC 60529:1989-11 + AMD 1:1999-11 + AMD 2:2013-08
---------------	---

Ambient conditions

Max. IP code to attain	IP20
Ambient temperature (operation)	-40 °C ... 105 °C (depending on power dissipation)
Ambient temperature (storage/transport)	-40 °C ... 55 °C
Ambient temperature (assembly)	-5 °C ... 100 °C
Relative humidity (storage/transport)	80 %

PCB data

Number of PCB holders	1
Type of PCB mount	Slot

ME 22,5 OT-1MSTBO GY - Upper housing part



2202442

<https://www.phoenixcontact.com/us/products/2202442>

Thickness of the PCB	1.4 mm ... 1.8 mm
----------------------	-------------------

Mounting

Mounting type	Latching with lower housing part
---------------	----------------------------------

Packaging specifications

Type of packaging	packed in cardboard
Outer packaging type	Carton

ME 22,5 OT-1MSTBO GY - Upper housing part

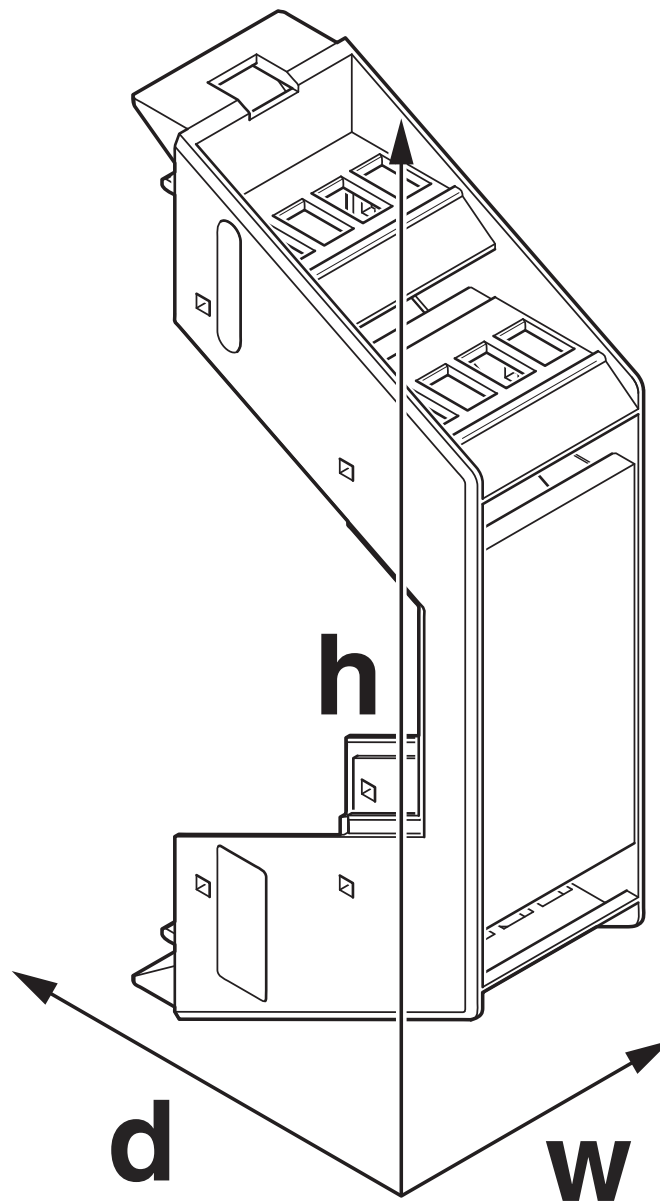
2202442

<https://www.phoenixcontact.com/us/products/2202442>



Drawings

Dimensional drawing



Schematic figure for illustrating the item dimensions. The figure is not of the desired product. For further details, refer to the product drawings in the "Downloads" tab.

ME 22,5 OT-1MSTBO GY - Upper housing part



2202442

<https://www.phoenixcontact.com/us/products/2202442>

Approvals

To download certificates, visit the product detail page: <https://www.phoenixcontact.com/us/products/2202442>



UL Recognized

Approval ID: E240868

ME 22,5 OT-1MSTBO GY - Upper housing part



2202442

<https://www.phoenixcontact.com/us/products/2202442>

Classifications

ECLASS

ECLASS-13.0	27190603
ECLASS-15.0	27190603

ETIM

ETIM 10.0	EC002779
-----------	----------

UNSPSC

UNSPSC 21.0	31261500
-------------	----------

ME 22,5 OT-1MSTBO GY - Upper housing part



2202442

<https://www.phoenixcontact.com/us/products/2202442>

Environmental product compliance

EU RoHS

Fulfills EU RoHS substance requirements	Yes, No exemptions
---	--------------------

China RoHS

Environment friendly use period (EFUP)	EFUP-E
	No hazardous substances above the limits

EU REACH SVHC

REACH candidate substance (CAS No.)	No substance above 0.1 wt%
-------------------------------------	----------------------------

EF3.1 Climate Change

CO2e kg	0.114 kg CO2e
---------	---------------

Phoenix Contact 2026 © - all rights reserved
<https://www.phoenixcontact.com>

Phoenix Contact USA
586 Fulling Mill Road
Middletown, PA 17057, United States
(+717) 944-1300
info@phoenixcon.com