

UM100-PROFIL BK 12,4CM - Profile



2202368

<https://www.phoenixcontact.com/us/products/2202368>

Please be informed that the data shown in this PDF document is generated from our online catalog. Please find the complete data in the user documentation. Our general terms of use for downloads are valid.

Press-drawn section housings, Latching with side elements, latching with foot element, Basic profile, profile width (internal): 100 mm, profile width (external): 122.6 mm, length: 124 mm, depth: 21.5 mm



Figure shows one version

Commercial data

Item number	2202368
Packing unit	10 pc
Minimum order quantity	100 pc
Note	Made to order (non-returnable)
Product key	ACHDBA
GTIN	4055626072234
Weight per piece (including packing)	68.1 g
Weight per piece (excluding packing)	68.1 g
Country of origin	DE

UM100-PROFIL BK 12,4CM - Profile

2202368

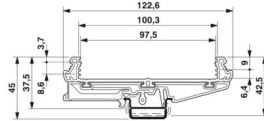
<https://www.phoenixcontact.com/us/products/2202368>

Technical data

Product properties

Product type	Component housing lower part
Housing type	Press-drawn section housings
Housing type	Extruded profile housings
Housing series	UM
Product family	UM100
Ventilation openings present	no

Dimensions

Dimensional drawing	
Depth	21.5 mm
Length	124 mm

External dimensions

Profile width (external)	122.6 mm
--------------------------	----------

Internal dimensions

Profile width (internal)	100 mm
--------------------------	--------

Material specifications

Color (Housing)	black (RAL 9005)
Material Housing	PVC

PCB data

Number of PCB holders	2
-----------------------	---

Mounting

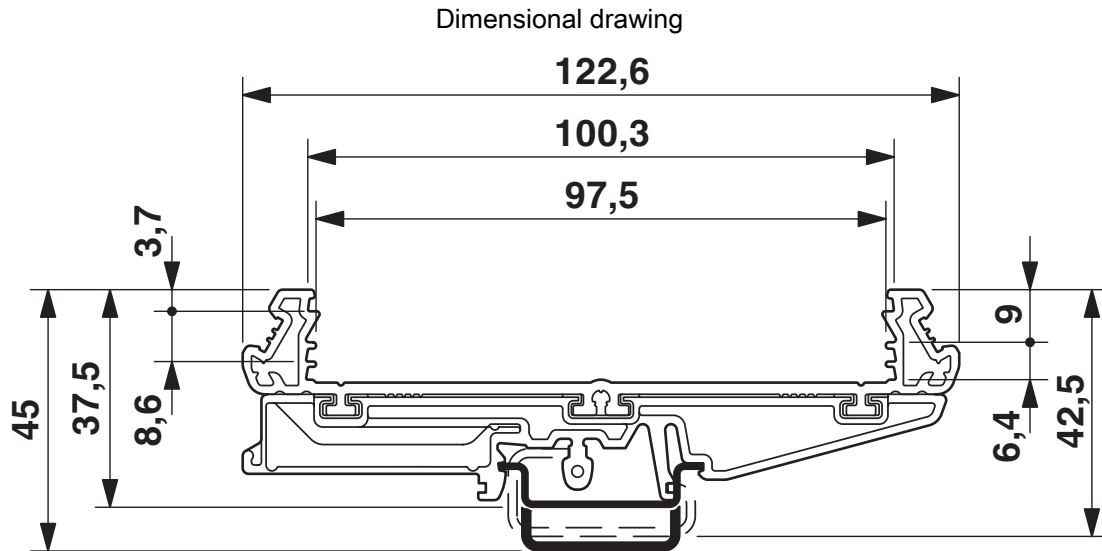
Mounting type	Latching with side elements, latching with foot element
---------------	---

UM100-PROFIL BK 12,4CM - Profile

2202368

<https://www.phoenixcontact.com/us/products/2202368>

Drawings



UM100-PROFIL BK 12,4CM - Profile



2202368

<https://www.phoenixcontact.com/us/products/2202368>

Classifications

ECLASS

ECLASS-13.0	27190601
ECLASS-15.0	27190601

ETIM

ETIM 10.0	EC002779
-----------	----------

UNSPSC

UNSPSC 21.0	31261500
-------------	----------

UM100-PROFIL BK 12,4CM - Profile



2202368

<https://www.phoenixcontact.com/us/products/2202368>

Environmental product compliance

EU RoHS

Fulfills EU RoHS substance requirements	Yes, No exemptions
---	--------------------

China RoHS

Environment friendly use period (EFUP)	EFUP-E
	No hazardous substances above the limits

EU REACH SVHC

REACH candidate substance (CAS No.)	No substance above 0.1 wt%
-------------------------------------	----------------------------

Phoenix Contact 2026 © - all rights reserved
<https://www.phoenixcontact.com>

Phoenix Contact USA
586 Fulling Mill Road
Middletown, PA 17057, United States
(+717) 944-1300
info@phoenixcon.com