

# BC 107,6 OT U22 GY 7045 - Upper housing part



2202269

<https://www.phoenixcontact.com/us/products/2202269>

Please be informed that the data shown in this PDF document is generated from our online catalog. Please find the complete data in the user documentation. Our general terms of use for downloads are valid.



The figure shows the product in gray

DIN rail housing for use in distribution boards in accordance with DIN 43880, Upper housing part (U22) with vents, Installation depth connection technology: 22.35 mm, width: 107.6 mm, height: 89.7 mm, depth: 54.85 mm, color: telegrey 1 (similar RAL 7045)

## Your advantages

- Coordinated housing and connection system for faster device development
- Individual online configuration for diverse applications in building automation
- Variety of connection technology
- Can be mounted on the DIN rail or the wall
- With DIN-rail-mountable bus connector and power connector system as an option
- Tool-free mounting
- Available in overall widths from 1 ... 9 width units (17.8 mm ... 161.6 mm)
- Compliant with DIN EN 43880

## Commercial data

Item number	2202269
Packing unit	10 pc
Minimum order quantity	10 pc
Note	Made to order (non-returnable)
Product key	ACHBAB
GTIN	4055626028637
Weight per piece (including packing)	49.5 g
Weight per piece (excluding packing)	49.5 g
Country of origin	DE

# BC 107,6 OT U22 GY 7045 - Upper housing part



2202269

<https://www.phoenixcontact.com/us/products/2202269>

## Technical data

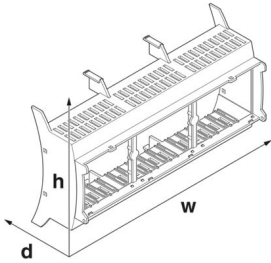
### Notes

Assembly note	Please observe the application note in the download area.
---------------	---

### Product properties

Product type	Upper housing part
Housing type	DIN rail housing for use in distribution boards in accordance with DIN 43880
Housing series	BC
Product family	BC 107,6..
Max. number of positions	64 (pitch: 2.5 mm) 48 (pitch: 3.5 mm) 40 (pitch: 5 mm) 24 (pitch: 7.5 mm)
Ventilation openings present	yes
Anzahl der Etagen Housing (Makro)	1 (Both sides)

### Dimensions

Dimensional drawing	
Width	107.6 mm
Height	89.7 mm
Depth	54.85 mm
Horizontal pitch	6 Div.

### PCB design

PCB thickness	1.4 mm ... 1.8 mm
---------------	-------------------

### Material specifications

Color (Housing)	telegrey 1 (RAL 7045)
Flammability rating according to UL 94	V2
Housing material	PC
Surface characteristics	untreated

### Environmental and real-life conditions

#### Vibration test

Specification	IEC 60068-2-6:2007-12
---------------	-----------------------

# BC 107,6 OT U22 GY 7045 - Upper housing part



2202269

<https://www.phoenixcontact.com/us/products/2202269>

Frequency	10 - 150 - 10 Hz
Sweep speed	1 octave/min
Amplitude	0.15 mm (10 Hz ... 58.1 Hz)
Acceleration	2g (58.1 Hz ... 150 Hz)
Test duration per axis	2.5 h
Test directions	X-, Y- and Z-axis

## Glow-wire test

Specification	IEC 60695-2-11:2014-02
Temperature	850 °C
Time of exposure	30 s

## Mechanical strength / tumbling barrel

Specification	IEC 60068-2-31:2008-05
Height of fall	50 cm
Frequency	50

## Shocks

Specification	IEC 60068-2-27:2008-02
Pulse shape	Half-sine
Acceleration	15g
Shock duration	11 ms
Number of shocks per direction	3
Test directions	X-, Y- and Z-axis (pos. and neg.)

## Degree of protection (IP code)

Specification	IEC 60529:1989-11 + AMD 1:1999-11 + AMD 2:2013-08
---------------	---

## Ambient conditions

Max. IP code to attain	IP20
Ambient temperature (operation)	-40 °C ... 105 °C (depending on power dissipation)
Ambient temperature (storage/transport)	-40 °C ... 70 °C
Ambient temperature (assembly)	-5 °C ... 100 °C
Relative humidity (storage/transport)	95 %

## PCB data

Number of PCB holders	12
Type of PCB mount	Latching
Thickness of the PCB	1.4 mm ... 1.8 mm

## Mounting

Mounting type	Snap in
---------------	---------

## Packaging specifications

Type of packaging	packed in cardboard
Outer packaging type	Carton

# BC 107,6 OT U22 GY 7045 - Upper housing part

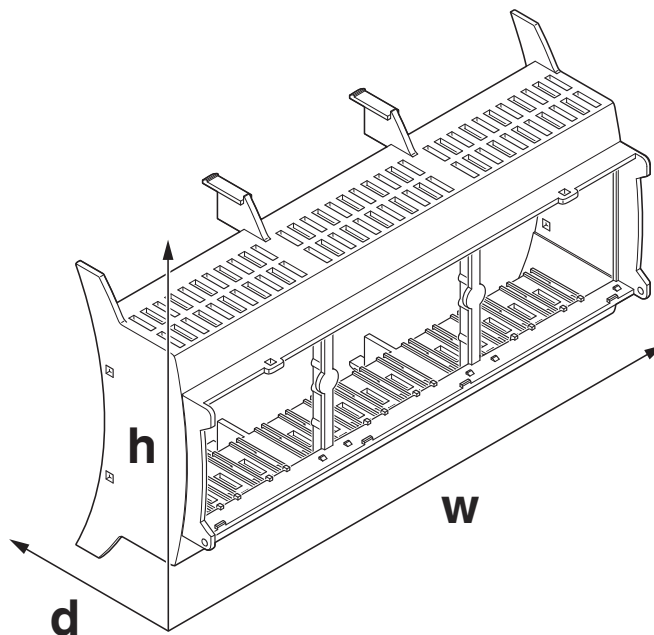
2202269

<https://www.phoenixcontact.com/us/products/2202269>



## Drawings

Dimensional drawing



Schematic figure for illustrating the item dimensions. The figure is not of the desired product. For further details, refer to the product drawings in the "Downloads" tab.

# BC 107,6 OT U22 GY 7045 - Upper housing part



2202269

<https://www.phoenixcontact.com/us/products/2202269>

## Classifications

### ECLASS

ECLASS-13.0	27190603
-------------	----------

### UNSPSC

UNSPSC 21.0	31261500
-------------	----------

# BC 107,6 OT U22 GY 7045 - Upper housing part



2202269

<https://www.phoenixcontact.com/us/products/2202269>

## Environmental product compliance

### EU RoHS

Fulfills EU RoHS substance requirements	Yes, No exemptions
---	--------------------

### China RoHS

Environment friendly use period (EFUP)	EFUP-E
	No hazardous substances above the limits

### EU REACH SVHC

REACH candidate substance (CAS No.)	No substance above 0.1 wt%
-------------------------------------	----------------------------

Phoenix Contact 2026 © - all rights reserved  
<https://www.phoenixcontact.com>

Phoenix Contact USA  
586 Fulling Mill Road  
Middletown, PA 17057, United States  
(+717) 944-1300  
[info@phoenixcon.com](mailto:info@phoenixcon.com)