

# ME MAX 22,5 GEH-R G 2-2 GY7016 - Housing half shell



2202185

<https://www.phoenixcontact.com/us/products/2202185>

Please be informed that the data shown in this PDF document is generated from our online catalog. Please find the complete data in the user documentation. Our general terms of use for downloads are valid.



DIN rail housing, Housing half shell (right), without vents, width: 16.3 mm, height: 99 mm, depth: 112.85 mm, color: anthracite gray (similar RAL 7016), cross connection: DIN rail bus connector (optional)

## Your advantages

- Easy installation
- Variety of connection technology

## Commercial data

Item number	2202185
Packing unit	50 pc
Minimum order quantity	50 pc
Note	Made to order (non-returnable)
Product key	ACHABZ
GTIN	4055626009384
Weight per piece (including packing)	27.51 g
Weight per piece (excluding packing)	23.316 g
Country of origin	DE

# ME MAX 22,5 GEH-R G 2-2 GY7016 - Housing half shell

2202185

<https://www.phoenixcontact.com/us/products/2202185>

## Technical data

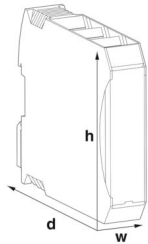
### Notes

Assembly note	Please observe the application note in the download area.
Recommendation	Material of contact pads for bus connector, galvanic gold (hard gold)

### Product properties

Product type	Housing half shells
Housing type	DIN rail housing
Housing type	Modular housings
Housing series	ME-MAX
Product family	ME MAX 22,5..
Number of rows	2
Number (Connection openings)	4
Ventilation openings present	no

### Dimensions

Dimensional drawing	
Width	16.3 mm
Height	99 mm
Depth	112.85 mm
Depth from top edge of DIN rail	107 mm

### PCB design

PCB thickness	1.4 mm ... 1.8 mm
---------------	-------------------

### Material specifications

Color (Housing half-shell)	anthracite gray (RAL 7016)
Material Housing half-shell	PA
Flammability rating according to UL 94	V0
CTI according to IEC 60112	600
Surface characteristics	untreated

### Environmental and real-life conditions

#### Ambient conditions

Max. IP code to attain	IP20
------------------------	------

# ME MAX 22,5 GEH-R G 2-2 GY7016 - Housing half shell



2202185

<https://www.phoenixcontact.com/us/products/2202185>

Ambient temperature (operation)	-40 °C ... 105 °C (depending on power dissipation)
Ambient temperature (storage/transport)	-40 °C ... 55 °C
Ambient temperature (assembly)	-5 °C ... 100 °C
Relative humidity (storage/transport)	80 %

## PCB data

Number of PCB holders	0
Type of PCB mount	Latching
Thickness of the PCB	1.4 mm ... 1.8 mm

## Mounting

Mounting type	Latching with housing half-shell or intermediate element
---------------	--

# ME MAX 22,5 GEH-R G 2-2 GY7016 - Housing half shell

2202185

<https://www.phoenixcontact.com/us/products/2202185>

## Drawings

Dimensional drawing



Schematic figure for illustrating the item dimensions. The figure is not of the desired product. For further details, refer to the product drawings in the "Downloads" tab.

# ME MAX 22,5 GEH-R G 2-2 GY7016 - Housing half shell



2202185

<https://www.phoenixcontact.com/us/products/2202185>

## Approvals

To download certificates, visit the product detail page: <https://www.phoenixcontact.com/us/products/2202185>



**UL Recognized**

Approval ID: E240868

# ME MAX 22,5 GEH-R G 2-2 GY7016 - Housing half shell



2202185

<https://www.phoenixcontact.com/us/products/2202185>

## Classifications

### ECLASS

ECLASS-13.0	27190602
ECLASS-15.0	27190602

### ETIM

ETIM 10.0	EC002779
-----------	----------

### UNSPSC

UNSPSC 21.0	31261500
-------------	----------

# ME MAX 22,5 GEH-R G 2-2 GY7016 - Housing half shell



2202185

<https://www.phoenixcontact.com/us/products/2202185>

## Environmental product compliance

### EU RoHS

Fulfills EU RoHS substance requirements	Yes, No exemptions
---	--------------------

### China RoHS

Environment friendly use period (EFUP)	EFUP-E
	No hazardous substances above the limits

### EU REACH SVHC

REACH candidate substance (CAS No.)	No substance above 0.1 wt%
-------------------------------------	----------------------------

Phoenix Contact 2026 © - all rights reserved  
<https://www.phoenixcontact.com>

Phoenix Contact USA  
586 Fulling Mill Road  
Middletown, PA 17057, United States  
(+717) 944-1300  
[info@phoenixcon.com](mailto:info@phoenixcon.com)