

# ME MAX 22,5 PLATE GY - Insertion plate



2202163

<https://www.phoenixcontact.com/us/products/2202163>

Please be informed that the data shown in this PDF document is generated from our online catalog. Please find the complete data in the user documentation. Our general terms of use for downloads are valid.

DIN rail housing, Insertion plate, width: 19.2 mm, height: 73.6 mm, depth: 1 mm, color: gray (similar RAL 7042)



## Your advantages

- Easy, tool-free mounting
- Plastic in accordance with UL94 V0: for more rigorous flammability requirements

## Commercial data

Item number	2202163
Packing unit	10 pc
Minimum order quantity	10 pc
Note	Made to order (non-returnable)
Sales key	AC22
Product key	ACHABZ
GTIN	4055626004327
Weight per piece (including packing)	1.692 g
Weight per piece (excluding packing)	0.78 g
Customs tariff number	85389099
Country of origin	DE

# ME MAX 22,5 PLATE GY - Insertion plate



2202163

<https://www.phoenixcontact.com/us/products/2202163>

## Technical data

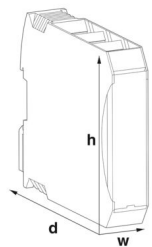
### Notes

Assembly note	Please observe the application note in the download area.
Recommendation	Material of contact pads for bus connector, galvanic gold (hard gold)

### Product properties

Product type	Cover
Housing type	DIN rail housing
Housing type	Modular housings
Housing series	ME-MAX
Product family	ME MAX 22,5..
Ventilation openings present	no

### Dimensions

Dimensional drawing	
Width	19.2 mm
Height	73.6 mm
Depth	1 mm

### Material specifications

Color (Insertion plate)	gray (RAL 7042)
Material	PA
Flammability rating according to UL 94	V0
CTI according to IEC 60112	600

### PCB data

Number of PCB holders	1
-----------------------	---

### Mounting

Mounting type	Slot
---------------	------

# ME MAX 22,5 PLATE GY - Insertion plate

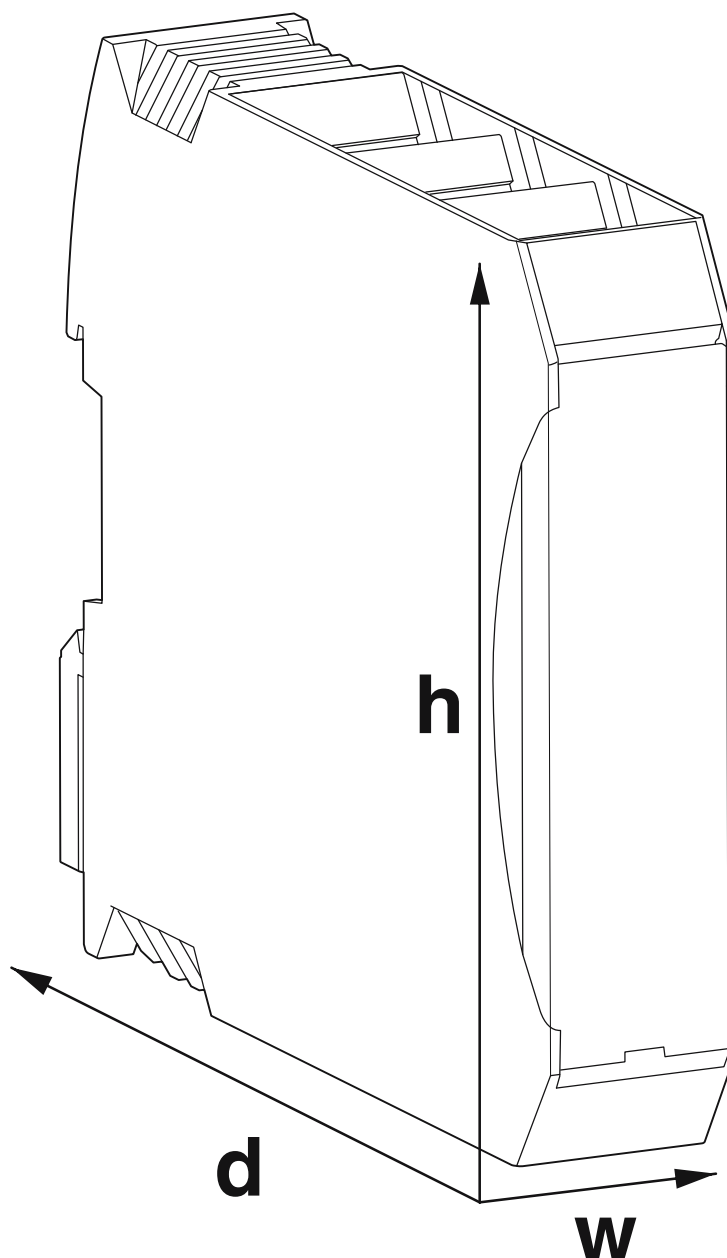
2202163

<https://www.phoenixcontact.com/us/products/2202163>



## Drawings

Dimensional drawing



# ME MAX 22,5 PLATE GY - Insertion plate



2202163

<https://www.phoenixcontact.com/us/products/2202163>

## Approvals

To download certificates, visit the product detail page: <https://www.phoenixcontact.com/us/products/2202163>



**UL Recognized**

Approval ID: E240868

# ME MAX 22,5 PLATE GY - Insertion plate



2202163

<https://www.phoenixcontact.com/us/products/2202163>

## Classifications

### ECLASS

ECLASS-13.0	27190605
ECLASS-15.0	27190605

### ETIM

ETIM 10.0	EC002779
-----------	----------

### UNSPSC

UNSPSC 21.0	31261500
-------------	----------

# ME MAX 22,5 PLATE GY - Insertion plate



2202163

<https://www.phoenixcontact.com/us/products/2202163>

## Environmental product compliance

### EU RoHS

Fulfills EU RoHS substance requirements	Yes, No exemptions
-----------------------------------------	--------------------

### China RoHS

Environment friendly use period (EFUP)	EFUP-E
	No hazardous substances above the limits

### EU REACH SVHC

REACH candidate substance (CAS No.)	No substance above 0.1 wt%
-------------------------------------	----------------------------

### EF3.1 Climate Change

CO2e kg	0.035 kg CO2e
---------	---------------

Phoenix Contact 2026 © - all rights reserved  
<https://www.phoenixcontact.com>

Phoenix Contact USA  
586 Fulling Mill Road  
Middletown, PA 17057, United States  
(+717) 944-1300  
[info@phoenixcon.com](mailto:info@phoenixcon.com)