

ME MAX 22,5 GEH-R G 2-2 GY - Housing half shell



2202157

<https://www.phoenixcontact.com/us/products/2202157>

Please be informed that the data shown in this PDF document is generated from our online catalog. Please find the complete data in the user documentation. Our general terms of use for downloads are valid.



DIN rail housing, Housing half shell (right), tall design, width: 16.3 mm, height: 99 mm, depth: 112.85 mm, color: gray (similar RAL 7042)

Your advantages

- Easy installation
- Variety of connection technology

Commercial data

Item number	2202157
Packing unit	50 pc
Minimum order quantity	50 pc
Note	Made to order (non-returnable)
Product key	ACHABZ
GTIN	4055626004266
Weight per piece (including packing)	27.76 g
Weight per piece (excluding packing)	23.703 g
Country of origin	DE

ME MAX 22,5 GEH-R G 2-2 GY - Housing half shell

2202157

<https://www.phoenixcontact.com/us/products/2202157>

Technical data

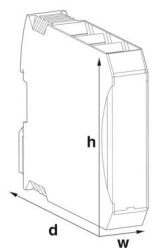
Notes

Assembly note	Please observe the application note in the download area.
Recommendation	Material of contact pads for bus connector, galvanic gold (hard gold)

Product properties

Product type	Housing half shells
Housing type	DIN rail housing
Housing type	Modular housings
Housing series	ME-MAX
Product family	ME MAX 22,5..
Number of rows	2
Number (Connection openings)	4

Dimensions

Dimensional drawing	
Width	16.3 mm
Height	99 mm
Depth	112.85 mm
Depth from top edge of DIN rail	107 mm

PCB design

PCB thickness	1.4 mm ... 1.8 mm
---------------	-------------------

Material specifications

Color (Housing half-shell)	gray (RAL 7042)
Material Housing half-shell	PA
Flammability rating according to UL 94	V0
CTI according to IEC 60112	600

Environmental and real-life conditions

Ambient conditions

Max. IP code to attain	IP20
Ambient temperature (operation)	-40 °C ... 105 °C (depending on power dissipation)
Ambient temperature (storage/transport)	-40 °C ... 55 °C

ME MAX 22,5 GEH-R G 2-2 GY - Housing half shell



2202157

<https://www.phoenixcontact.com/us/products/2202157>

Ambient temperature (assembly)	-5 °C ... 100 °C
Relative humidity (storage/transport)	80 %

PCB data

Number of PCB holders	0
Type of PCB mount	Latching
Thickness of the PCB	1.4 mm ... 1.8 mm

Mounting

Mounting type	Latching with housing half-shell or intermediate element
---------------	--

ME MAX 22,5 GEH-R G 2-2 GY - Housing half shell

2202157

<https://www.phoenixcontact.com/us/products/2202157>

Drawings

Dimensional drawing



Schematic view

ME MAX 22,5 GEH-R G 2-2 GY - Housing half shell



2202157

<https://www.phoenixcontact.com/us/products/2202157>

Approvals

To download certificates, visit the product detail page: <https://www.phoenixcontact.com/us/products/2202157>



UL Recognized

Approval ID: E240868

ME MAX 22,5 GEH-R G 2-2 GY - Housing half shell



2202157

<https://www.phoenixcontact.com/us/products/2202157>

Classifications

ECLASS

ECLASS-13.0	27190602
ECLASS-15.0	27190602

ETIM

ETIM 10.0	EC002779
-----------	----------

UNSPSC

UNSPSC 21.0	31261500
-------------	----------

ME MAX 22,5 GEH-R G 2-2 GY - Housing half shell



2202157

<https://www.phoenixcontact.com/us/products/2202157>

Environmental product compliance

EU RoHS

Fulfills EU RoHS substance requirements	Yes, No exemptions
---	--------------------

China RoHS

Environment friendly use period (EFUP)	EFUP-E
	No hazardous substances above the limits

EU REACH SVHC

REACH candidate substance (CAS No.)	No substance above 0.1 wt%
-------------------------------------	----------------------------

EF3.1 Climate Change

CO2e kg	0.153 kg CO2e
---------	---------------

Phoenix Contact 2026 © - all rights reserved
<https://www.phoenixcontact.com>

Phoenix Contact USA
586 Fulling Mill Road
Middletown, PA 17057, United States
(+717) 944-1300
info@phoenixcon.com