

# UM-ALU 4 AU45 L40 - Profile cover

2202072

<https://www.phoenixcontact.com/us/products/2202072>

Please be informed that the data shown in this PDF document is generated from our online catalog. Please find the complete data in the user documentation. Our general terms of use for downloads are valid.



Press-drawn section housings, Screw mounting, Profile cover, width: 45.6 mm, profile width (internal): 42 mm, profile width (external): 45.6 mm, length: 40 mm, depth: 28.1 mm

## Your advantages

- Aluminum extruded profile
- Variety of connection technology
- Can be mounted on the DIN rail
- Available in lengths from 42.5 mm ... 990 mm, can be cut to any length
- Available in overall widths of 75 mm and 105 mm
- EMC protection

## Commercial data

Item number	2202072
Packing unit	1 pc
Minimum order quantity	1 pc
Product key	ACHDFZ
GTIN	4046356987417
Weight per piece (including packing)	23 g
Weight per piece (excluding packing)	23 g
Country of origin	HU

# UM-ALU 4 AU45 L40 - Profile cover

2202072

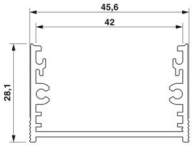
<https://www.phoenixcontact.com/us/products/2202072>

## Technical data

### Product properties

Product type	Component housing cover
Housing type	Press-drawn section housings
Housing series	UM-ALU
Product family	UM-ALU
Ventilation openings present	no

### Dimensions

Dimensional drawing	
Width	45.6 mm
Depth	28.1 mm
Length	40 mm

### External dimensions

Profile width (external)	45.6 mm
--------------------------	---------

### Internal dimensions

Profile width (internal)	42 mm
--------------------------	-------

### PCB design

PCB thickness	1.44 mm ... 2 mm
---------------	------------------

### Material specifications

Color (Housing)	aluminum color
Material Housing	Anodized aluminum (anodized)
Surface characteristics	anodized

### Environmental and real-life conditions

#### Ambient conditions

Max. IP code to attain	IP40
Ambient temperature (operation)	-40 °C ... 100 °C (depending on power dissipation)
Ambient temperature (storage/transport)	-40 °C ... 55 °C
Ambient temperature (assembly)	-5 °C ... 100 °C

### PCB data

Number of PCB holders	4
Type of PCB mount	Slot
Thickness of the PCB	1.44 mm ... 2 mm

# UM-ALU 4 AU45 L40 - Profile cover



2202072

<https://www.phoenixcontact.com/us/products/2202072>

## Mounting

Mounting type	Screw mounting
Mounting position	parallel to the DIN rail

## Packaging specifications

Type of packaging	packed in cardboard
Outer packaging type	Carton

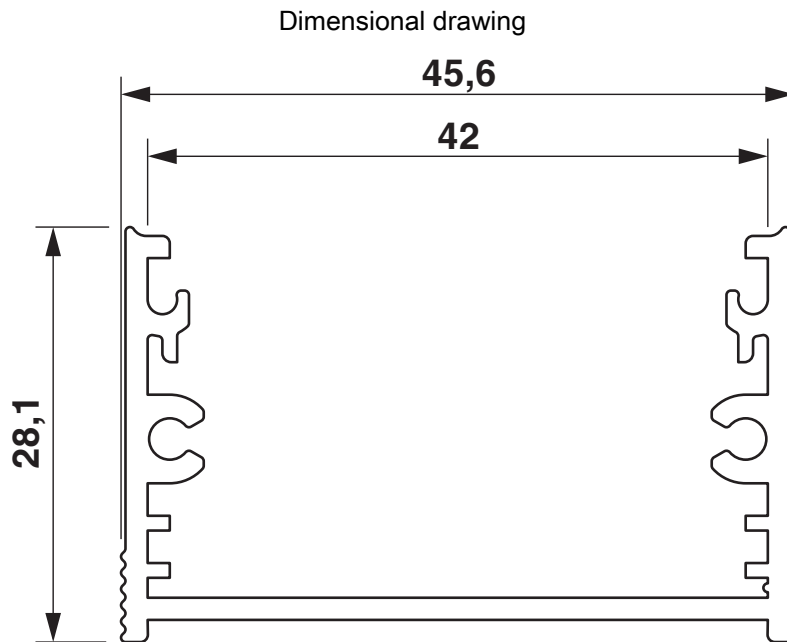
# UM-ALU 4 AU45 L40 - Profile cover



2202072

<https://www.phoenixcontact.com/us/products/2202072>

## Drawings



# UM-ALU 4 AU45 L40 - Profile cover

2202072

<https://www.phoenixcontact.com/us/products/2202072>



Schematic diagram



# UM-ALU 4 AU45 L40 - Profile cover



2202072

<https://www.phoenixcontact.com/us/products/2202072>

## Classifications

### ECLASS

ECLASS-13.0	27190603
ECLASS-15.0	27190603

### ETIM

ETIM 9.0	EC002779
----------	----------

### UNSPSC

UNSPSC 21.0	31261500
-------------	----------

# UM-ALU 4 AU45 L40 - Profile cover



2202072

<https://www.phoenixcontact.com/us/products/2202072>

## Environmental product compliance

### EU RoHS

Fulfills EU RoHS substance requirements	Yes, No exemptions
---	--------------------

### China RoHS

Environment friendly use period (EFUP)	EFUP-E
	No hazardous substances above the limits

### EU REACH SVHC

REACH candidate substance (CAS No.)	No substance above 0.1 wt%
-------------------------------------	----------------------------

Phoenix Contact 2026 © - all rights reserved  
<https://www.phoenixcontact.com>

Phoenix Contact USA  
586 Fulling Mill Road  
Middletown, PA 17057, United States  
(+717) 944-1300  
[info@phoenixcon.com](mailto:info@phoenixcon.com)