

ME PLC 40 B BUS 10/10 7035VPE1 - Mounting base housing



2202056

<https://www.phoenixcontact.com/us/products/2202056>

Please be informed that the data shown in this PDF document is generated from our online catalog. Please find the complete data in the user documentation. Our general terms of use for downloads are valid.



DIN rail housing, Lower housing part with metal foot catch, for 10/10 bus connector, width: 39.7 mm, height: 180.1 mm, depth: 137.7 mm, color: light gray (similar RAL 7035), cross connection: DIN rail bus connector (optional), number of positions cross connector: 10

Your advantages

- Tool-free mounting
- Available in 40 mm overall width
- Flammability rating V0 in accordance with UL 94
- Variety of connection technology
- Can be mounted on the DIN rail
- With DIN-rail-mountable bus connector and power connector system as an option

Commercial data

| | |
|--------------------------------------|--------------------------------|
| Item number | 2202056 |
| Packing unit | 1 pc |
| Minimum order quantity | 1 pc |
| Note | Made to order (non-returnable) |
| Sales key | AC15 |
| Product key | ACHEAA |
| GTIN | 4046356980593 |
| Weight per piece (including packing) | 166.2 g |
| Weight per piece (excluding packing) | 166.2 g |
| Customs tariff number | 85389099 |
| Country of origin | DE |

ME PLC 40 B BUS 10/10 7035VPE1 - Mounting base housing

2202056

<https://www.phoenixcontact.com/us/products/2202056>

Technical data

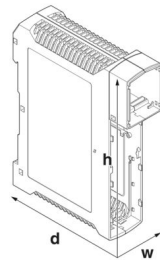
Notes

| | |
|---------------|-----------------------------------------------------------|
| Assembly note | Please observe the application note in the download area. |
|---------------|-----------------------------------------------------------|

Product properties

| | |
|------------------------------|--------------------|
| Product type | Lower housing part |
| Housing type | DIN rail housing |
| Housing series | ME PLC |
| Product family | ME PLC 40 |
| Max. number of positions | 36 (pitch: 5 mm) |
| Ventilation openings present | yes |

Dimensions

| | |
|----------------------------------------------------------------|------------------------------------------------------------------------------------|
| Dimensional drawing |  |
| Width | 39.7 mm |
| Height | 180.1 mm |
| Depth | 137.7 mm |
| Depth from top edge of DIN rail | 131.1 mm |
| Depth from top edge of DIN rail to support point on upper part | 108 mm |

PCB design

| | |
|---------------|-------------------|
| PCB thickness | 1.4 mm ... 1.8 mm |
|---------------|-------------------|

Material specifications

| | |
|----------------------------------------|-----------------------|
| Color (Lower housing part) | light gray (RAL 7035) |
| Material | PC |
| Flammability rating according to UL 94 | V0 |
| CTI according to IEC 60112 | 225 |

Environmental and real-life conditions

Ambient conditions

| | |
|-----------------------------------------|----------------------------------------------------|
| Max. IP code to attain | IP20 |
| Ambient temperature (operation) | -40 °C ... 105 °C (depending on power dissipation) |
| Ambient temperature (storage/transport) | -40 °C ... 70 °C |
| Ambient temperature (assembly) | -5 °C ... 100 °C |

ME PLC 40 B BUS 10/10 7035VPE1 - Mounting base housing



2202056

<https://www.phoenixcontact.com/us/products/2202056>

| | |
|---------------------------------------|------|
| Relative humidity (storage/transport) | 95 % |
|---------------------------------------|------|

PCB data

| | |
|-----------------------|-----------------------|
| Number of PCB holders | 1 |
| Type of PCB mount | Latching |
| Total PCB surface | 16000 mm ² |
| Thickness of the PCB | 1.4 mm ... 1.8 mm |

Mounting

| | |
|---------------|-------------------|
| Mounting type | DIN rail mounting |
|---------------|-------------------|

Packaging specifications

| | |
|----------------------|---------------------|
| Type of packaging | packed in cardboard |
| Outer packaging type | Carton |

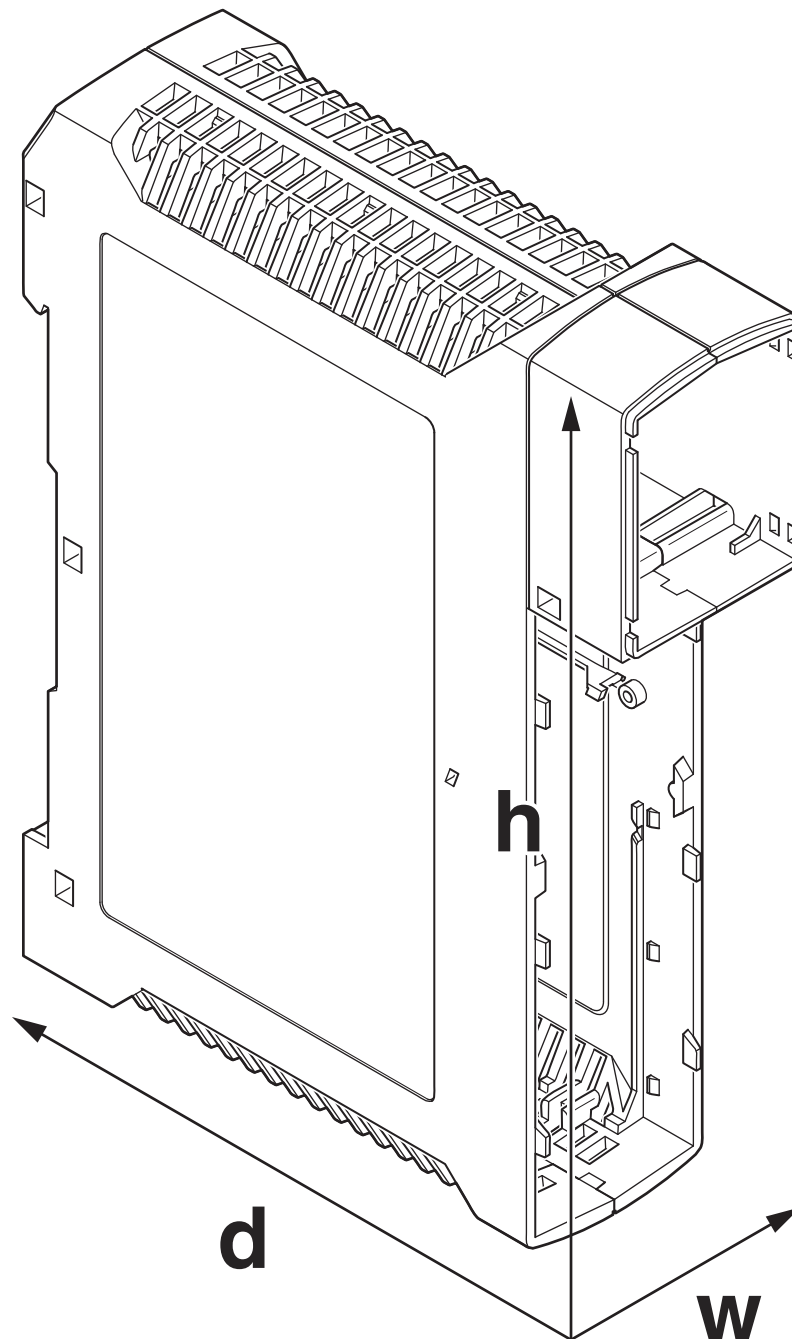
ME PLC 40 B BUS 10/10 7035VPE1 - Mounting base housing

2202056

<https://www.phoenixcontact.com/us/products/2202056>

Drawings

Dimensional drawing



ME PLC 40 B BUS 10/10 7035VPE1 - Mounting base housing



2202056

<https://www.phoenixcontact.com/us/products/2202056>

Approvals

To download certificates, visit the product detail page: <https://www.phoenixcontact.com/us/products/2202056>



UL Recognized

Approval ID: E240868

ME PLC 40 B BUS 10/10 7035VPE1 - Mounting base housing



2202056

<https://www.phoenixcontact.com/us/products/2202056>

Classifications

ECLASS

| | |
|-------------|----------|
| ECLASS-13.0 | 27190601 |
| ECLASS-15.0 | 27190601 |

ETIM

| | |
|-----------|----------|
| ETIM 10.0 | EC002779 |
|-----------|----------|

UNSPSC

| | |
|-------------|----------|
| UNSPSC 21.0 | 31261500 |
|-------------|----------|

ME PLC 40 B BUS 10/10 7035VPE1 - Mounting base housing



2202056

<https://www.phoenixcontact.com/us/products/2202056>

Environmental product compliance

EU RoHS

| | |
|-----------------------------------------|--------------------|
| Fulfills EU RoHS substance requirements | Yes, No exemptions |
|-----------------------------------------|--------------------|

China RoHS

| | |
|----------------------------------------|------------------------------------------|
| Environment friendly use period (EFUP) | EFUP-E |
| | No hazardous substances above the limits |

EU REACH SVHC

| | |
|-------------------------------------|----------------------------|
| REACH candidate substance (CAS No.) | No substance above 0.1 wt% |
|-------------------------------------|----------------------------|

Phoenix Contact 2026 © - all rights reserved
<https://www.phoenixcontact.com>

Phoenix Contact USA
586 Fulling Mill Road
Middletown, PA 17057, United States
(+717) 944-1300
info@phoenixcon.com