

ME PLC 40 CT36 GY7035 VPE1 - Front connection module



2202053

<https://www.phoenixcontact.com/us/products/2202053>

Please be informed that the data shown in this PDF document is generated from our online catalog. Please find the complete data in the user documentation. Our general terms of use for downloads are valid.



Connection technology carrier, fully assembled with FKCN 2x 18-pos., cover and release lever, incl. fitted cover, corresponding header: 1x CCDN 2,5/18-G1 P26 THR (1734436)

Your advantages

- Tool-free mounting
- Available in 40 mm overall width
- Flammability rating V0 in accordance with UL 94
- Variety of connection technology
- Can be mounted on the DIN rail
- With DIN-rail-mountable bus connector and power connector system as an option

Commercial data

Item number	2202053
Packing unit	1 pc
Minimum order quantity	1 pc
Note	Made to order (non-returnable)
Product key	ACHEAB
GTIN	4046356980364
Weight per piece (including packing)	103 g
Weight per piece (excluding packing)	103 g
Country of origin	DE

ME PLC 40 CT36 GY7035 VPE1 - Front connection module



2202053

<https://www.phoenixcontact.com/us/products/2202053>

Technical data

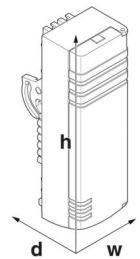
Notes

Assembly note	Please observe the application note in the download area.
---------------	---

Product properties

Product type	Upper housing part
Housing type	DIN rail housing
Housing series	ME PLC
Product family	ME PLC 40
Max. number of positions	36 (pitch: 5 mm)
Ventilation openings present	no

Dimensions

Dimensional drawing	
Width	39.7 mm
Height	128 mm
Depth	48.3 mm

Material specifications

Color (Housing)	light gray (RAL 7035)
Material	PC
Flammability rating according to UL 94	V0
CTI according to IEC 60112	225

Environmental and real-life conditions

Ambient conditions

Max. IP code to attain	IP20
Ambient temperature (operation)	-40 °C ... 105 °C (depending on power dissipation)
Ambient temperature (storage/transport)	-40 °C ... 70 °C
Ambient temperature (assembly)	-5 °C ... 100 °C
Relative humidity (storage/transport)	95 %

Mounting

Mounting type	Latching with lower housing part
---------------	----------------------------------

ME PLC 40 CT36 GY7035 VPE1 - Front connection module



2202053

<https://www.phoenixcontact.com/us/products/2202053>

Packaging specifications

Type of packaging	packed in cardboard
Outer packaging type	Carton

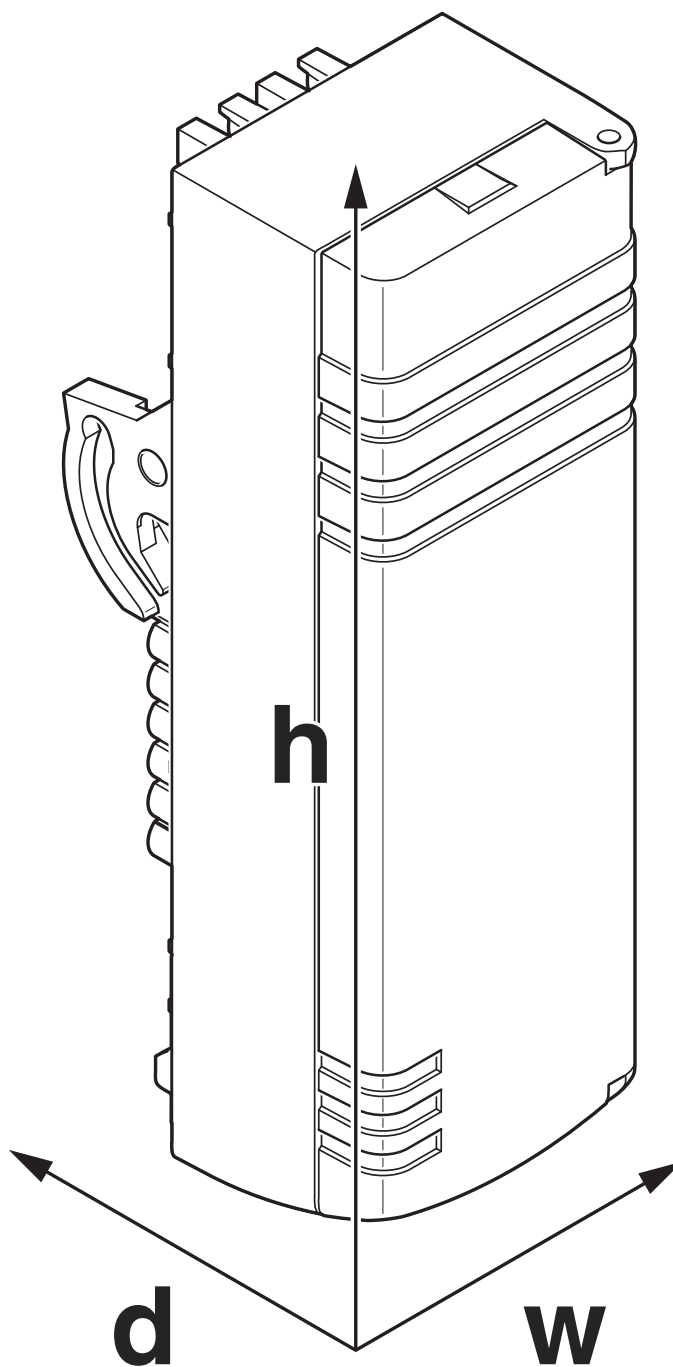
ME PLC 40 CT36 GY7035 VPE1 - Front connection module

2202053

<https://www.phoenixcontact.com/us/products/2202053>

Drawings

Dimensional drawing



ME PLC 40 CT36 GY7035 VPE1 - Front connection module



2202053

<https://www.phoenixcontact.com/us/products/2202053>

Approvals

To download certificates, visit the product detail page: <https://www.phoenixcontact.com/us/products/2202053>



UL Recognized

Approval ID: E240868

ME PLC 40 CT36 GY7035 VPE1 - Front connection module



2202053

<https://www.phoenixcontact.com/us/products/2202053>

Classifications

ECLASS

ECLASS-13.0	27190401
ECLASS-15.0	27190401

ETIM

ETIM 10.0	EC001031
-----------	----------

UNSPSC

UNSPSC 21.0	31261500
-------------	----------

ME PLC 40 CT36 GY7035 VPE1 - Front connection module



2202053

<https://www.phoenixcontact.com/us/products/2202053>

Environmental product compliance

EU RoHS

Fulfills EU RoHS substance requirements	Yes, No exemptions
---	--------------------

China RoHS

Environment friendly use period (EFUP)	EFUP-E
	No hazardous substances above the limits

EU REACH SVHC

REACH candidate substance (CAS No.)	No substance above 0.1 wt%
-------------------------------------	----------------------------

EF3.1 Climate Change

CO2e kg	0.841 kg CO2e
---------	---------------

Phoenix Contact 2026 © - all rights reserved
<https://www.phoenixcontact.com>

Phoenix Contact USA
586 Fulling Mill Road
Middletown, PA 17057, United States
(+717) 944-1300
info@phoenixcon.com