

CM175-LG/H 35/BO/DB/GH BK S710 - Electronics housing

2202004

<https://www.phoenixcontact.com/us/products/2202004>

Please be informed that the data shown in this PDF document is generated from our online catalog. Please find the complete data in the user documentation. Our general terms of use for downloads are valid.



Component housing, Complete housing, width: 175 mm, depth: 125 mm, color: black (similar RAL 9005)

The figure shows the standard item

Commercial data

Item number	2202004
Packing unit	5 pc
Minimum order quantity	10 pc
Note	Made to order (non-returnable)
Product key	ACHCDA
GTIN	4046356963848
Weight per piece (including packing)	665.4 g
Weight per piece (excluding packing)	665.4 g
Country of origin	DE

CM175-LG/H 35/BO/DB/GH BK S710 - Electronics housing



2202004

<https://www.phoenixcontact.com/us/products/2202004>

Technical data

Product properties

Product type	Complete housing
Housing type	Component housing

Dimensions

Dimensional drawing	
Width	175 mm
Depth	125 mm

Material specifications

Color	black (RAL 9005)
Flammability rating according to UL 94	V0
Housing material	Polycarbonate fiber reinforced

CM175-LG/H 35/BO/DB/GH BK S710 - Electronics housing

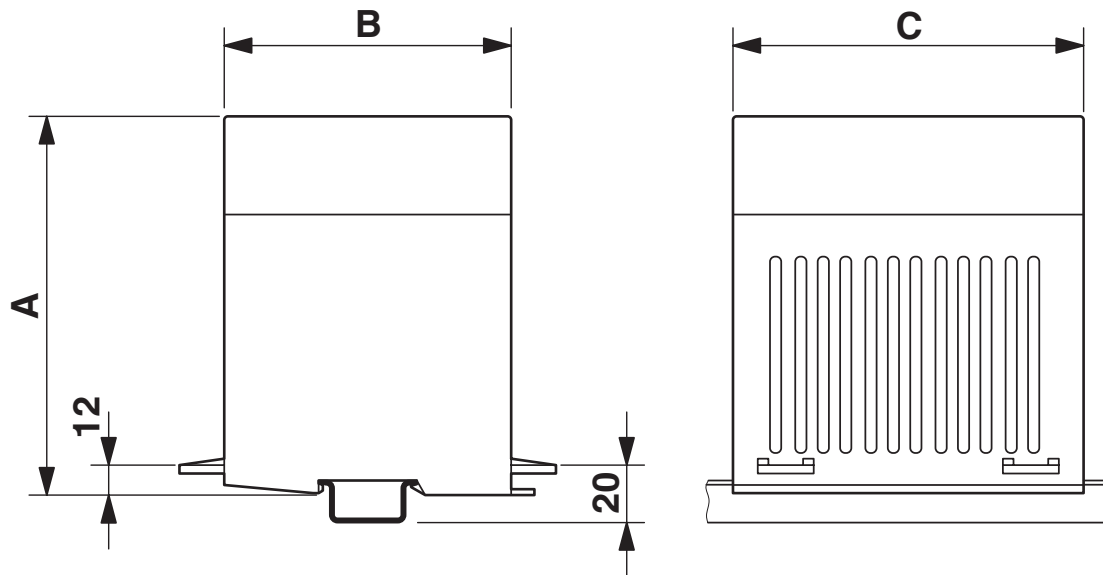


2202004

<https://www.phoenixcontact.com/us/products/2202004>

Drawings

Dimensional drawing



Dimension A: 155 mm; dimension B: 125 mm; dimension C: 175 mm

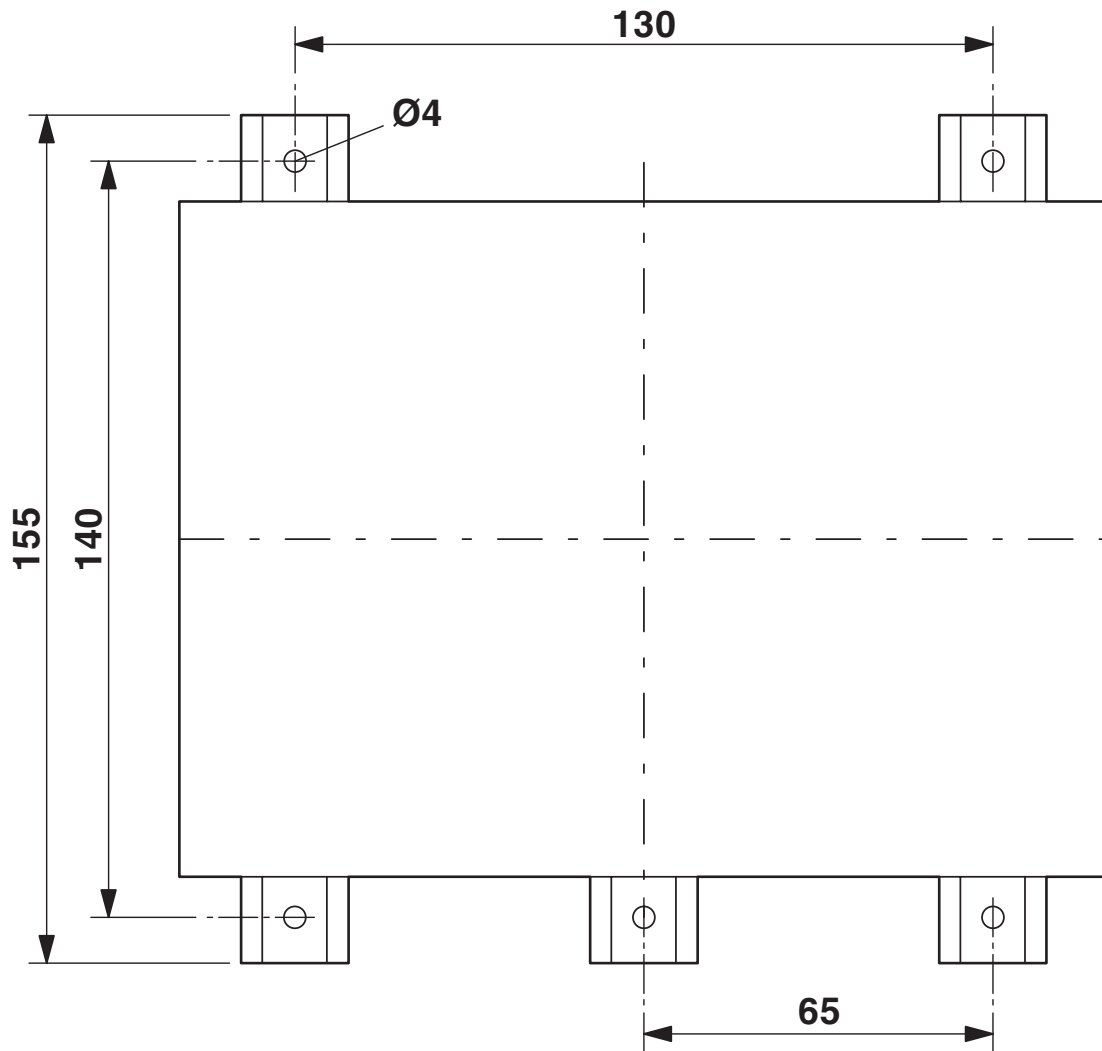
CM175-LG/H 35/BO/DB/GH BK S710 - Electronics housing



2202004

<https://www.phoenixcontact.com/us/products/2202004>

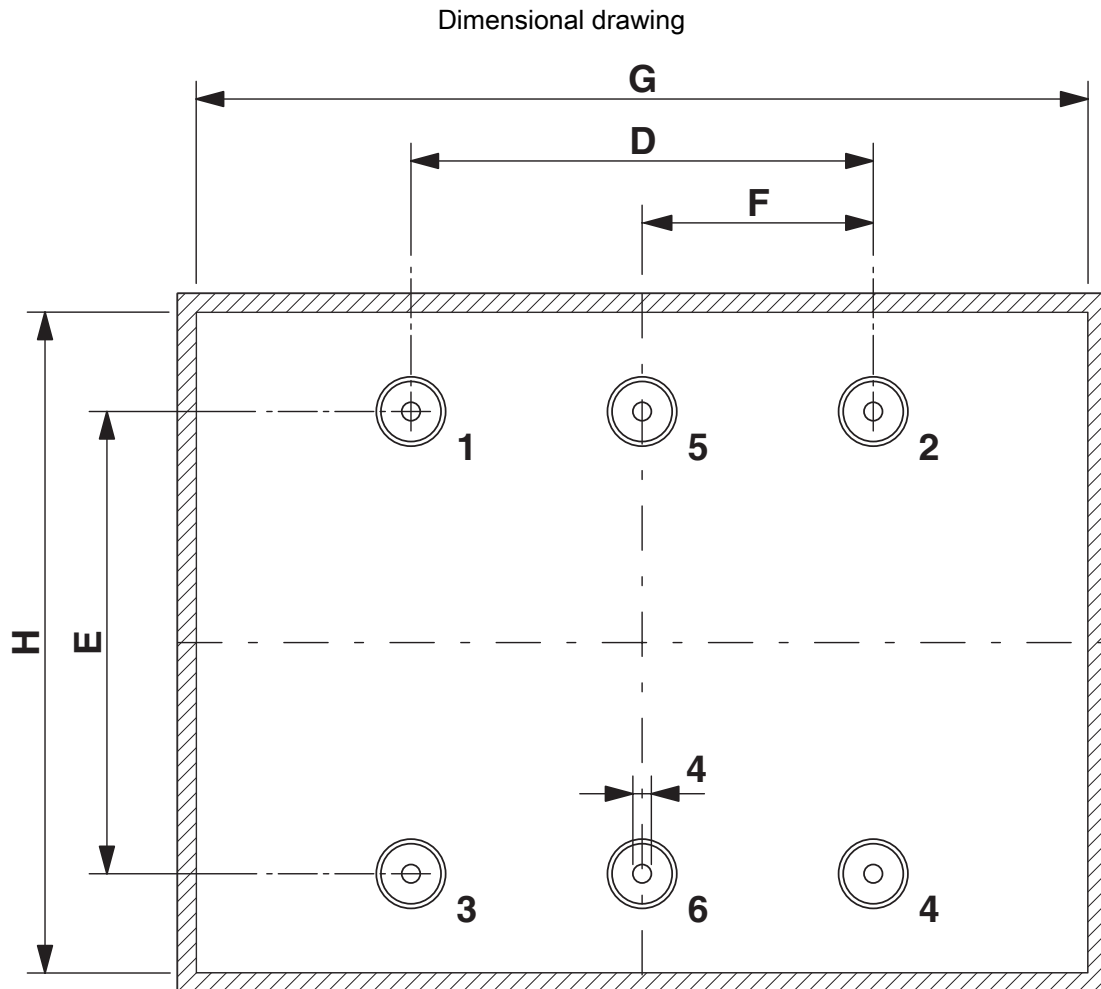
Dimensional drawing



CM175-LG/H 35/BO/DB/GH BK S710 - Electronics housing

2202004

<https://www.phoenixcontact.com/us/products/2202004>



Dimension D: 100.0 mm; E: 80.0 mm; G: 160.0 mm; H: 112.0 mm
Spacer pins 1 - 4: Height 25 mm; \varnothing 4 mm

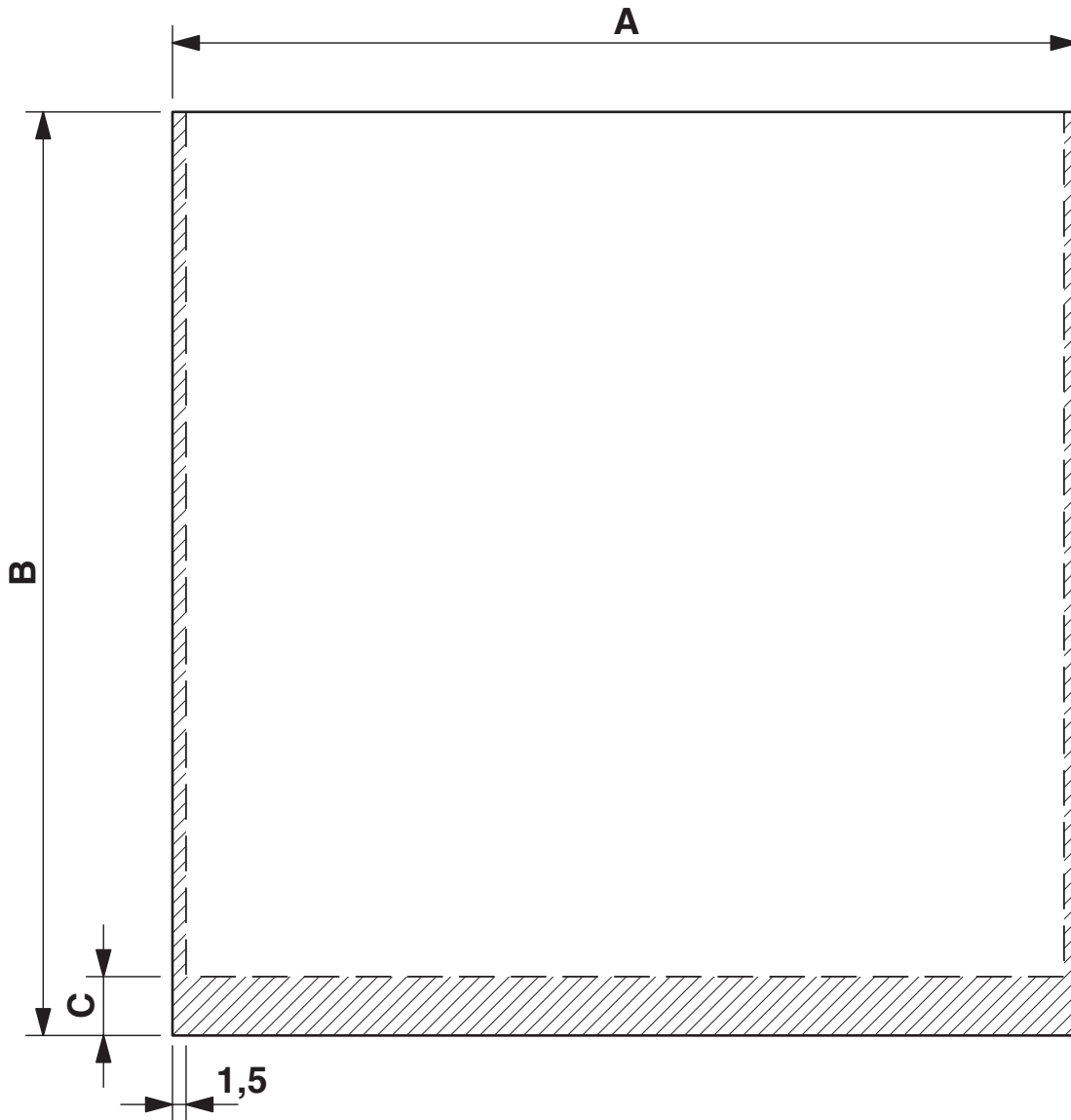
CM175-LG/H 35/BO/DB/GH BK S710 - Electronics housing



2202004

<https://www.phoenixcontact.com/us/products/2202004>

Dimensional drawing



PCB 1, 7: Dimension A: 165.5 mm; B: 131.5 mm; C: 0 mm

PCB 8, 10, 11, 13: Dimension A: 115.5 mm; B: 139.0 mm; C: 0 mm

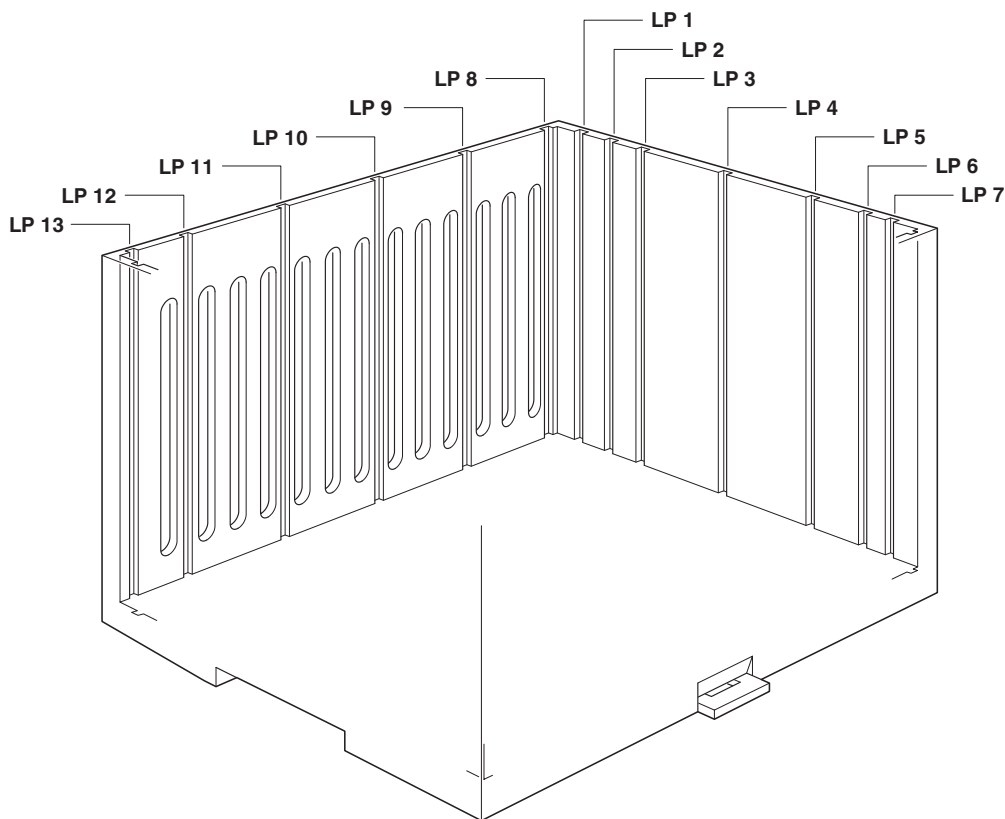
CM175-LG/H 35/BO/DB/GH BK S710 - Electronics housing



2202004

<https://www.phoenixcontact.com/us/products/2202004>

Schematic diagram



CM175-LG/H 35/BO/DB/GH BK S710 - Electronics housing



2202004

<https://www.phoenixcontact.com/us/products/2202004>

Classifications

UNSPSC

UNSPSC 21.0	31261500
-------------	----------

CM175-LG/H 35/BO/DB/GH BK S710 - Electronics housing



2202004

<https://www.phoenixcontact.com/us/products/2202004>

Environmental product compliance

EU RoHS

Fulfills EU RoHS substance requirements	Yes, No exemptions
---	--------------------

China RoHS

Environment friendly use period (EFUP)	EFUP-E
	No hazardous substances above the limits

EU REACH SVHC

REACH candidate substance (CAS No.)	No substance above 0.1 wt%
-------------------------------------	----------------------------

Phoenix Contact 2026 © - all rights reserved
<https://www.phoenixcontact.com>

Phoenix Contact USA
586 Fulling Mill Road
Middletown, PA 17057, United States
(+717) 944-1300
info@phoenixcon.com