

UM 45-PROFIL 7,3CM - Profile



2201870

<https://www.phoenixcontact.com/us/products/2201870>

Please be informed that the data shown in this PDF document is generated from our online catalog. Please find the complete data in the user documentation. Our general terms of use for downloads are valid.

Press-drawn section housings, Basic profile, profile width (internal): 41.85 mm, profile width (external): 44.8 mm, length: 73 mm, height: 44.8 mm, depth: 18.95 mm



Commercial data

Item number	2201870
Packing unit	50 pc
Minimum order quantity	250 pc
Note	Made to order (non-returnable)
Product key	ACHDBA
GTIN	4046356917629
Weight per piece (including packing)	18.28 g
Weight per piece (excluding packing)	17.06 g
Country of origin	DE

UM 45-PROFIL 7,3CM - Profile

2201870

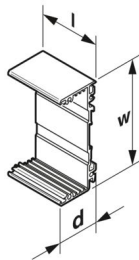
<https://www.phoenixcontact.com/us/products/2201870>

Technical data

Product properties

Product type	Component housing lower part
Housing type	Press-drawn section housings
Housing type	Extruded profile housings
Housing series	UM
Product family	UM45
Ventilation openings present	no

Dimensions

Dimensional drawing	
Height	44.8 mm
Depth	18.95 mm
Length	73 mm

External dimensions

Profile width (external)	44.8 mm
--------------------------	---------

Internal dimensions

Profile width (internal)	41.85 mm
--------------------------	----------

Material specifications

Material Profile	PVC
Surface characteristics	untreated

Environmental and real-life conditions

Ambient conditions

Ambient temperature (operation)	-15 °C ... 50 °C
---------------------------------	------------------

PCB data

Number of PCB holders	2
-----------------------	---

UM 45-PROFIL 7,3CM - Profile

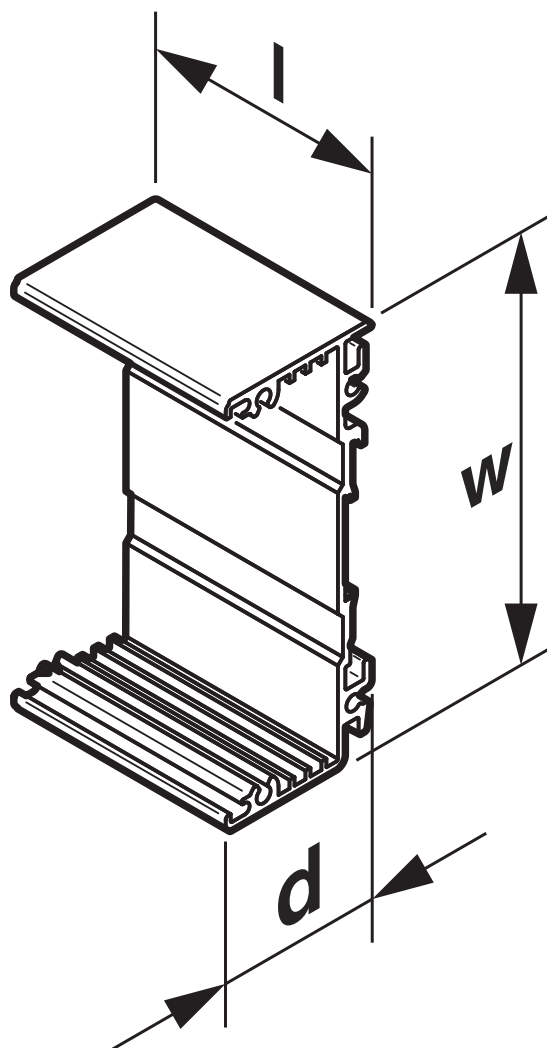
2201870

<https://www.phoenixcontact.com/us/products/2201870>



Drawings

Dimensional drawing



UM 45-PROFIL 7,3CM - Profile



2201870

<https://www.phoenixcontact.com/us/products/2201870>

Classifications

ECLASS

ECLASS-13.0	27190601
ECLASS-15.0	27190601

ETIM

ETIM 10.0	EC002779
-----------	----------

UNSPSC

UNSPSC 21.0	31261500
-------------	----------

UM 45-PROFIL 7,3CM - Profile



2201870

<https://www.phoenixcontact.com/us/products/2201870>

Environmental product compliance

EU RoHS

Fulfills EU RoHS substance requirements	Yes, No exemptions
---	--------------------

China RoHS

Environment friendly use period (EFUP)	EFUP-E
	No hazardous substances above the limits

EU REACH SVHC

REACH candidate substance (CAS No.)	No substance above 0.1 wt%
-------------------------------------	----------------------------

Phoenix Contact 2026 © - all rights reserved
<https://www.phoenixcontact.com>

Phoenix Contact USA
586 Fulling Mill Road
Middletown, PA 17057, United States
(+717) 944-1300
info@phoenixcon.com