

UM 108-PROFIL L15,1CM GN - Profile



2201655

<https://www.phoenixcontact.com/us/products/2201655>

Please be informed that the data shown in this PDF document is generated from our online catalog. Please find the complete data in the user documentation. Our general terms of use for downloads are valid.

Drawn section panel mounting base, with a constructional width of 108 mm and a fixed length of 200 cm



The figure shows the UM 45-Profil CM version

Your advantages

- Easy installation
- Flexible size and shape
- Inexpensive as a result of reducing the number of separate housing parts

Commercial data

Item number	2201655
Packing unit	1 pc
Minimum order quantity	100 pc
Note	Made to order (non-returnable)
Product key	ACHDBA
GTIN	4046356881579
Weight per piece (including packing)	81.7 g
Weight per piece (excluding packing)	81.7 g
Country of origin	DE

UM 108-PROFIL L15,1CM GN - Profile

2201655

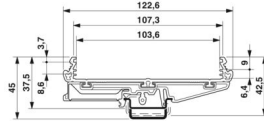
<https://www.phoenixcontact.com/us/products/2201655>

Technical data

Product properties

Product type	Component housing lower part
Housing type	Press-drawn section housings
Housing type	Extruded profile housings
Housing series	UM
Product family	UM108
Ventilation openings present	no

Dimensions

Dimensional drawing	
Depth	21.5 mm
Length	151 mm

External dimensions

Profile width (external)	107.5 mm
--------------------------	----------

Internal dimensions

Profile width (internal)	122.6 mm
--------------------------	----------

PCB design

PCB thickness	1.4 mm ... 1.8 mm
---------------	-------------------

Material specifications

Color (Profile)	green (RAL 6021)
Material Profile	PVC

Environmental and real-life conditions

Ambient conditions

Max. IP code to attain	IP20
Ambient temperature (operation)	-15 °C ... 50 °C (depending on power dissipation)
Ambient temperature (storage/transport)	-40 °C ... 50 °C
Ambient temperature (assembly)	-5 °C ... 50 °C
Relative humidity (storage/transport)	95 %

PCB data

Number of PCB holders	2
Thickness of the PCB	1.4 mm ... 1.8 mm

Mounting

UM 108-PROFIL L15,1CM GN - Profile



2201655

<https://www.phoenixcontact.com/us/products/2201655>

Mounting type	Latching with side elements, latching with foot element
---------------	---

Packaging specifications

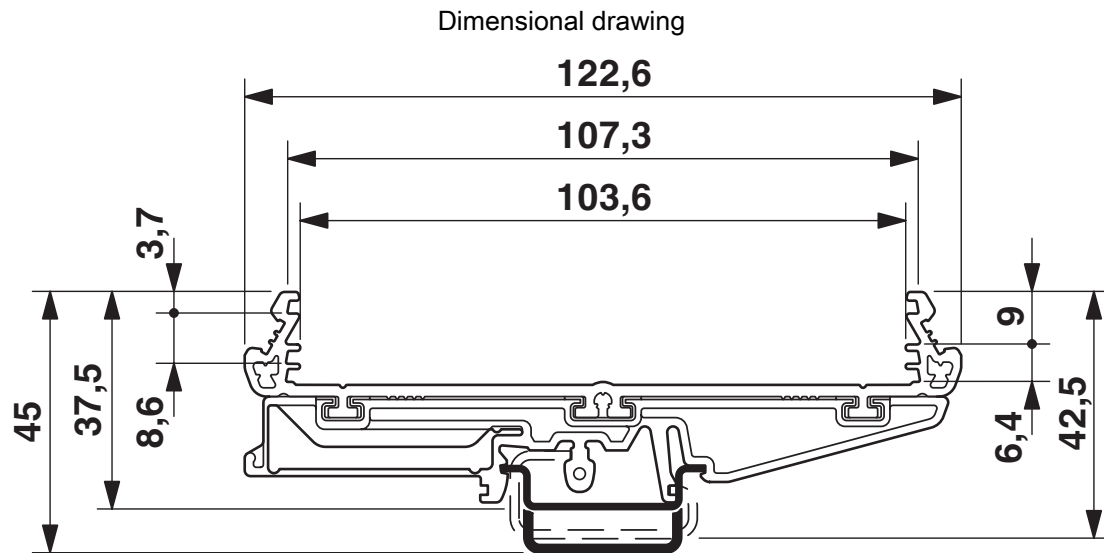
Type of packaging	packed in cardboard
Outer packaging type	Carton

UM 108-PROFIL L15,1CM GN - Profile

2201655

<https://www.phoenixcontact.com/us/products/2201655>

Drawings



UM 108-PROFIL L15,1CM GN - Profile



2201655

<https://www.phoenixcontact.com/us/products/2201655>

Classifications

ECLASS

ECLASS-13.0	27190601
ECLASS-15.0	27190601

ETIM

ETIM 10.0	EC002779
-----------	----------

UNSPSC

UNSPSC 21.0	31261500
-------------	----------

UM 108-PROFIL L15,1CM GN - Profile



2201655

<https://www.phoenixcontact.com/us/products/2201655>

Environmental product compliance

EU RoHS

Fulfills EU RoHS substance requirements	Yes, No exemptions
---	--------------------

China RoHS

Environment friendly use period (EFUP)	EFUP-E
	No hazardous substances above the limits

EU REACH SVHC

REACH candidate substance (CAS No.)	No substance above 0.1 wt%
-------------------------------------	----------------------------

Phoenix Contact 2026 © - all rights reserved
<https://www.phoenixcontact.com>

Phoenix Contact USA
586 Fulling Mill Road
Middletown, PA 17057, United States
(+717) 944-1300
info@phoenixcon.com