

ME PLC 40 B BUS 10/10 GY7035 - Mounting base housing



2201499

<https://www.phoenixcontact.com/us/products/2201499>

Please be informed that the data shown in this PDF document is generated from our online catalog. Please find the complete data in the user documentation. Our general terms of use for downloads are valid.



DIN rail housing, Lower housing part with metal foot catch, for 10/10 bus connector, width: 39.7 mm, height: 180.1 mm, depth: 137.7 mm, color: light gray (similar RAL 7035), cross connection: DIN rail bus connector (optional), number of positions cross connector: 10

Your advantages

- Tool-free mounting
- Available in 40 mm overall width
- Flammability rating V0 in accordance with UL 94
- Variety of connection technology
- Can be mounted on the DIN rail
- With DIN-rail-mountable bus connector and power connector system as an option

Commercial data

Item number	2201499
Packing unit	10 pc
Minimum order quantity	10 pc
Sales key	AC15
Product key	ACHEAA
GTIN	4046356839679
Weight per piece (including packing)	181.6 g
Weight per piece (excluding packing)	181.6 g
Customs tariff number	85389099
Country of origin	DE

ME PLC 40 B BUS 10/10 GY7035 - Mounting base housing

2201499

<https://www.phoenixcontact.com/us/products/2201499>

Technical data

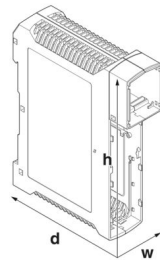
Notes

Assembly note	Please observe the application note in the download area.
---------------	---

Product properties

Product type	Lower housing part
Housing type	DIN rail housing
Housing series	ME PLC
Product family	ME PLC 40
Max. number of positions	36 (pitch: 5 mm)
Ventilation openings present	yes

Dimensions

Dimensional drawing	
Width	39.7 mm
Height	180.1 mm
Depth	137.7 mm
Depth from top edge of DIN rail	131.1 mm
Depth from top edge of DIN rail to support point on upper part	108 mm

PCB design

PCB thickness	1.4 mm ... 1.8 mm
---------------	-------------------

Material specifications

Color (Lower housing part)	light gray (RAL 7035)
Material	PC
Flammability rating according to UL 94	V0
CTI according to IEC 60112	225

Environmental and real-life conditions

Ambient conditions

Max. IP code to attain	IP20
Ambient temperature (operation)	-40 °C ... 105 °C (depending on power dissipation)
Ambient temperature (storage/transport)	-40 °C ... 70 °C
Ambient temperature (assembly)	-5 °C ... 100 °C

ME PLC 40 B BUS 10/10 GY7035 - Mounting base housing



2201499

<https://www.phoenixcontact.com/us/products/2201499>

Relative humidity (storage/transport)	95 %
---------------------------------------	------

PCB data

Number of PCB holders	1
Type of PCB mount	Latching
Total PCB surface	16000 mm ²
Thickness of the PCB	1.4 mm ... 1.8 mm

Mounting

Mounting type	DIN rail mounting
---------------	-------------------

Packaging specifications

Type of packaging	packed in cardboard
Outer packaging type	Carton

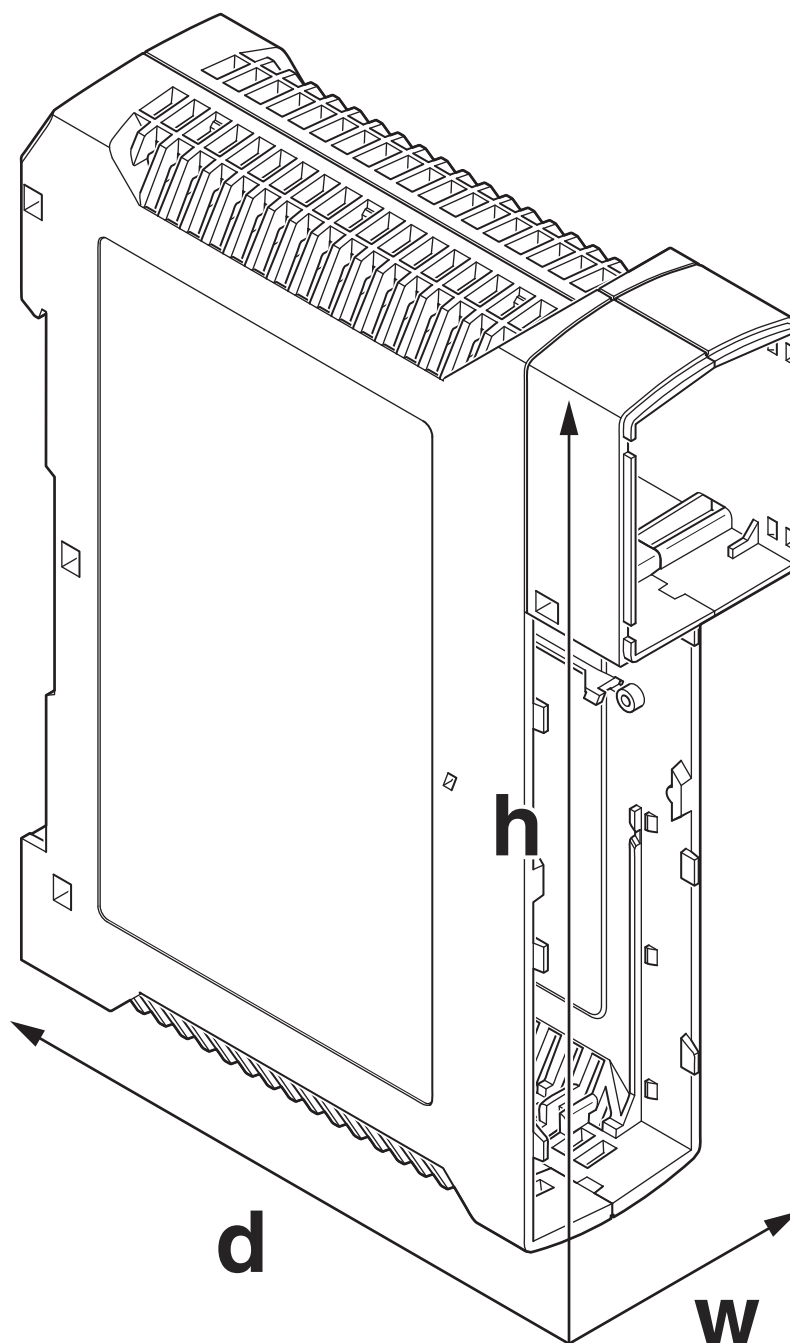
ME PLC 40 B BUS 10/10 GY7035 - Mounting base housing

2201499

<https://www.phoenixcontact.com/us/products/2201499>

Drawings

Dimensional drawing



ME PLC 40 B BUS 10/10 GY7035 - Mounting base housing



2201499

<https://www.phoenixcontact.com/us/products/2201499>

Classifications

ECLASS

ECLASS-13.0	27190601
ECLASS-15.0	27190601

ETIM

ETIM 10.0	EC002779
-----------	----------

UNSPSC

UNSPSC 21.0	31261500
-------------	----------

ME PLC 40 B BUS 10/10 GY7035 - Mounting base housing



2201499

<https://www.phoenixcontact.com/us/products/2201499>

Environmental product compliance

EU RoHS

Fulfills EU RoHS substance requirements	Yes, No exemptions
---	--------------------

China RoHS

Environment friendly use period (EFUP)	EFUP-E
	No hazardous substances above the limits

EU REACH SVHC

REACH candidate substance (CAS No.)	No substance above 0.1 wt%
-------------------------------------	----------------------------

Phoenix Contact 2026 © - all rights reserved
<https://www.phoenixcontact.com>

Phoenix Contact USA
586 Fulling Mill Road
Middletown, PA 17057, United States
(+717) 944-1300
info@phoenixcon.com